

Chemtech Scientific provides access to this content as a courtesy.
We do not own the content contained in this document.
All rights and credit go directly to its rightful owners.
www.chemtechsci.com
Call us at: 484-424-9415



Vacuum Products Division

TriScroll Exhaust Silencer Kit

INSTRUCTION MANUAL

Part No. 699904380

Rev. A

February 2008

TriScroll Exhaust Silencer Kit



Warranty

Products manufactured by Seller are warranted against defects in materials and workmanship for twelve (12) months from date of shipment thereof to Customer, and Seller's liability under valid warranty claims is limited, at the option of Seller, to repair, replacement, or refund an equitable portion of the purchase price of the Product. Items expendable in normal use are not covered by this warranty. All warranty replacement or repair of parts shall be limited to equipment malfunctions which, in the sole opinion of Seller, are due or traceable to defects in original materials or workmanship. All obligations of Seller under this warranty shall cease in the event of abuse, accident, alteration, misuse, or neglect of the equipment. In-warranty repaired or replaced parts are warranted only for the remaining unexpired portion of the original warranty period applicable to the repaired or replaced parts. After expiration of the applicable warranty period, Customer shall be charged at the then current prices for parts, labor, and transportation.

When products are used with toxic chemicals, or in an atmosphere that is dangerous to the health of humans, or is environmentally unsafe, it will be the responsibility of the Customer to have the product cleaned by an independent agency skilled and approved in handling and cleaning contaminated materials before the product will be accepted by Agilent, Inc. for repair and/or replacement.

Reasonable care must be used to avoid hazards. Seller expressly disclaims responsibility for loss or damage caused by use of its Products other than in accordance with proper operating procedures.

Except as stated herein, Seller makes no warranty, express or implied (either in fact or by operation of law), statutory or otherwise; and, except as stated herein, Seller shall have no liability under any warranty, express or implied (either in fact or by operation of law), statutory or otherwise. Statements made by any person, including representatives of Seller, which are inconsistent or in conflict with the terms of this warranty shall not be binding upon Seller unless reduced to writing and approved by an officer of Seller.

Warranty Replacement and Adjustment

All claims under warranty must be made promptly after occurrence of circumstances giving rise thereto, and must be received within the applicable warranty period by Seller or its authorized representative. Such claims should include the Product serial number, the date of shipment, and a full description of the circumstances giving rise to the claim. Before any Products are returned for repair and/or adjustment, written authorization from Seller or its authorized representative for the return and instructions as to how and where these Products should be returned must be obtained. Any Product returned to Seller for examination shall be prepaid via the means of transportation indicated as acceptable by Seller. Seller reserves the right to reject any warranty claim not promptly reported and any warranty claim on any item that has been altered or has been returned by non-acceptable means of transportation. When any Product is returned for examination and inspection, or for any other reason, Customer shall be responsible for all damage resulting from improper packing or handling, and for loss in transit, notwithstanding any defect or non-conformity in the Product. In all cases, Seller has the sole responsibility for determining the cause and nature of failure, and Seller's determination with regard thereto shall be final.

If it is found that Seller's Product has been returned without cause and is still serviceable, Customer will be notified and the Product returned at its expense; in addition, a charge for testing and examination may be made on Products so returned. 3/1/00

TriScroll Exhaust Silencer Kit

This page intentionally left blank.

Preface

Documentation Conventions

This manual uses the following documentation conventions:

WARNING



Warnings indicate a particular procedure or practice, which if not followed correctly, could lead to serious injury.

CAUTION



Cautions indicate a particular procedure or practice, which if not followed, could cause damage to the equipment.

NOTE



Notes contain important information.

Before operating or servicing equipment, read and thoroughly understand all operation/maintenance manuals provided by Agilent. Be aware of the hazards associated with this equipment, know how to recognize potentially hazardous conditions, and how to avoid them. Read carefully and strictly observe all cautions and warnings. The consequences of unskilled, improper, or careless operation of the equipment can be serious.

In addition, consult local, state, and national agencies regarding specific requirements and regulations. Address any safety, operation, and/or maintenance questions to your nearest Agilent office.

TriScroll Exhaust Silencer Kit

This page intentionally left blank.

TS600/300 Exhaust Silencer Kit

Agilent offers an exhaust silencer kit for TriScroll pumps that reduces the total sound pressure level due to exhaust pulsation, mitigates audible noise in the most sensitive frequencies, and collects tip-seal dust using a five-micron filter element*.

Figure 1-3 on page 1-4 shows the kit mounted at the exhaust of a TS600 in the rear position. Given that the connector pipe underneath the pump's head can pivot 360°, the kit can be positioned in front, on the side, or at the rear of the pump, and secured with a tie-wrap (included but not pictured).

*Replacement polyester filter element rated 99% efficient at the 5-micron particle size, P/N: REPLSLR FILTER.

Table 1-1 breaks down the kit parts and quantities.

Table 1-1 Exhaust Silencer Kit for Triscroll, P/N: EXSLRTRISCROLL

Part Name	Qty
Exhaust Silencer TriScroll	1
Barb Fitting 3/8" NPT x 1/2" hose	1
Barb Fitting 1/4" NPT x 1/2" hose	1
Barb Fitting 3/4" NPT x 1/2" hose	1
Coupling, Reducing, 1"NPT x 3/4" NPT	1
Tygon hose black .75" OD x .125" w x 12" long	1
Exhaust Silencer/Resonator Assembly	1
Hose Clamp	4
Mount, Adhesive Backed	2
Tie Wrap	2

Installation



To ensure proper operation, and to prevent damage, the kit must be installed and operated only as specified.

To install:

1. Unscrew the exhaust extension, shipped with the standard pump.
This step is only for pump shipped prior to kit release and if the extension is actually mounted on the pump. If exhaust extension is not present, go to step 2.
2. Screw the hose barb fitting into exhaust fitting underneath the pump:
 - 1/2" hose x 1/4" NPT for TS300
 - 1/2" hose x 3/8" NPT for TS600
3. Cut the Tygon tubing in two pieces, one longer and one shorter. Suggested lengths are: 7 1/4" and 4 3/4", but can be another combination totaling 12" of length.
4. Connect the longer piece of Tygon tubing into (Figure 1-1 on page 1-3):
Refer to Figure 1-2 for reference on barb-to-hose insertions.
 - a. The 1/2" hose end of the 3/8" NPT barb, coming from underneath the pump and secure it with a hose clamp.
 - b. Connect the silencer/resonator chamber equipped with the 1/2" hose end 3/8" NPT barb to the other side of the longer Tygon tubing and secure with a hose clamp.
5. Connect the shorter piece of Tygon tubing by (Figure 1-1 on page 1-3):
 - a. Connecting the resonator using the another 1/2" hose on the silencer/resonator and secure with a hose clamp.
 - b. Attaching the reducer coupling to the muffler-filter and then the 3/4" NPT x 1/2" hose barb fitting to the coupling.
 - c. Connecting the muffler-filter to the 2nd piece of Tygon tubing and secure with a hose clamp.

TriScroll Exhaust Silencer Kit

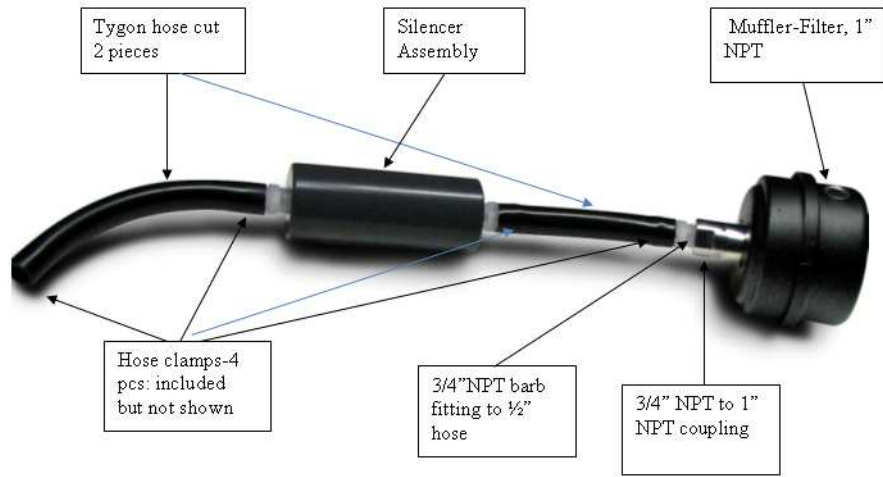


Figure 1-1 Hose Connections

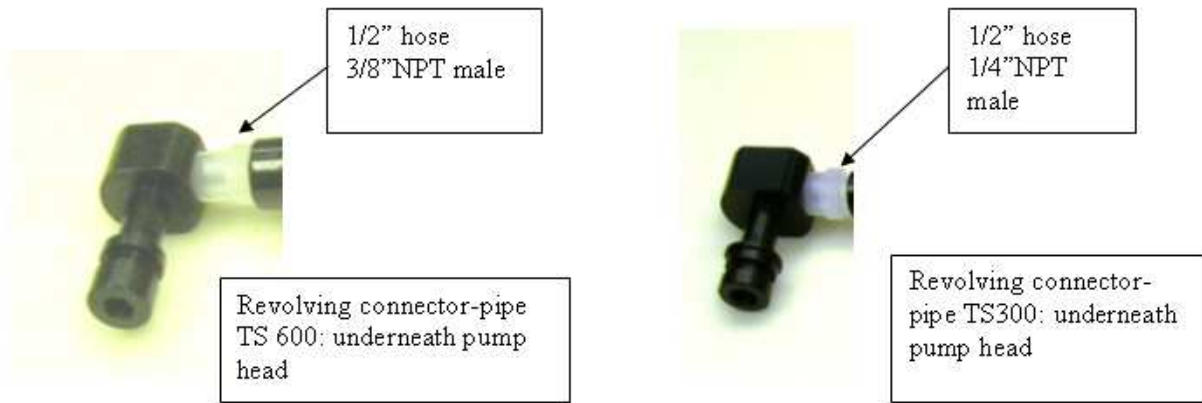


Figure 1-2 Exhaust Silencer Kit: Connection with TS600 - Left and TS 300 - Right

TriScroll Exhaust Silencer Kit

Figure 1-3 and Figure 1-4 show the units installed in front and back positions.



Figure 1-3 TS600 with Exhaust Silencer Kit Installed in Rear Position



Figure 1-4 TS600 with Exhaust Silencer Kit Installed in Front Position

Figure 1-5 shows the clamps included with the kit.



Figure 1-5 1/2" Hose Clamp

TriScroll Exhaust Silencer Kit

Figure 1-6 shows the mounting nut dimensions.

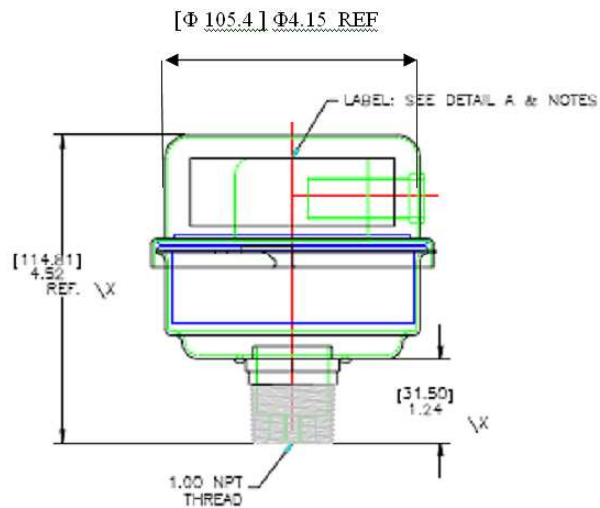


Figure 1-6 Exhaust/Resonator Dimensions

Performance

Typical reductions are 6 dBA for TriScroll 600 pumps and 1 dBA for Triscroll 300. In addition, the silencer/resonator assembly mitigates exhaust pulsation noise in the most sensitive frequencies.

Maintenance

Replace the five-micron filter element after every tip-seal or module change.

TriScroll Exhaust Silencer Kit

This page intentionally left blank.

Chemtech Scientific provides access to this content as a courtesy.
We do not own the content contained in this document.
All rights and credit go directly to its rightful owners.
www.chemtechsci.com
Call us at: 484-424-9415



Vacuum Products Division Instructions for returning products

Dear Customer:

Please follow these instructions whenever one of our products needs to be returned.

- 1) Complete the attached Request for Return form and send it to Agilent Technologies (see below), taking particular care to identify all products that have pumped or been exposed to any toxic or hazardous materials.
- 2) After evaluating the information, Agilent Technologies will provide you with a Return Authorization (RA) number via email or fax, as requested.
Note: Depending on the type of return, a Purchase Order may be required at the time the Request for Return is submitted. We will quote any necessary services (evaluation, repair, special cleaning, eg).
- 3) **Important steps for the shipment of returning product:**
 - Remove all accessories from the core product (e.g. inlet screens, vent valves).
 - Prior to shipment, drain any oils or other liquids, purge or flush all gasses, and wipe off any excess residue.
 - If ordering an Advance Exchange product, **please use the packaging from the Advance Exchange to return the defective product.**
 - Seal the product in a plastic bag, and package product carefully to avoid damage in transit. You are responsible for loss or damage in transit.
 - Agilent Technologies is not responsible for returning customer provided packaging or containers.
 - **Clearly label package with RA number.** Using the shipping label provided will ensure the proper address and RA number are on the package. Packages shipped to Agilent without a RA clearly written on the outside cannot be accepted and will be returned.
- 4) Return only products for which the RA was issued.
- 5) **Product being returned under a RA must be received within 15 business days.**
- 6) **Ship to the location specified on the printable label, which will be sent, along with the RA number, as soon as we have received all of the required information.** Customer is responsible for freight charges on returning product.
- 7) Return shipments must comply with all applicable **Shipping Regulations** (IATA, DOT, etc.) and carrier requirements.

**Vacuum Products Division
Request for Return Form
(Health and Safety Certification)**

Please read important policy information on Page 3 that applies to all returns.

1) CUSTOMER INFORMATION

Company Name:		Contact Name:	
Tel:	Email:	Fax:	
Customer Ship To:		Customer Bill To:	
Europe only: VAT reg. Number:		USA/Canada only: <input type="checkbox"/> Taxable <input type="checkbox"/> Non-taxable	

2) PRODUCT IDENTIFICATION

Product Description	Agilent P/N	Agilent S/N	Original Purchasing Reference

3) TYPE OF RETURN (Choose one from each row and supply Purchase Order if requesting a billable service)

- 3A.** Non-Billable Billable **New PO #** (hard copy must be submitted with this form):
- 3B.** Exchange Repair Upgrade Consignment/Demo Calibration Evaluation Return for Credit

4) HEALTH and SAFETY CERTIFICATION

AGILENT TECHNOLOGIES CANNOT ACCEPT ANY PRODUCTS CONTAMINATED WITH BIOLOGICAL OR EXPLOSIVE HAZARDS, RADIOACTIVE MATERIAL, OR MERCURY AT ITS FACILITY.
Call Agilent Technologies to discuss alternatives if this requirement presents a problem.

The equipment listed above (check one):

HAS NOT pumped or been exposed to any toxic or hazardous materials. OR

HAS pumped or been exposed to the following toxic or hazardous materials. If this box is checked, the following information must also be filled out. Check boxes for all materials to which product(s) pumped or was exposed:

Toxic Corrosive Reactive Flammable Explosive Biological Radioactive

List all toxic/hazardous materials. Include product name, chemical name, and chemical symbol or formula:

NOTE: If a product is received at Agilent which is contaminated with a toxic or hazardous material that was not disclosed, **the customer will be held responsible** for all costs incurred to ensure the safe handling of the product, and **is liable** for any harm or injury to Agilent employees as well as to any third party occurring as a result of exposure to toxic or hazardous materials present in the product.

Print Name: _____ **Authorized Signature:** **Date:** _____

5) FAILURE INFORMATION:

Failure Mode (REQUIRED FIELD. See next page for suggestions of failure terms):
Detailed Description of Malfunction: (Please provide the error message)
Application (system and model):

I understand and agree to the terms of Section 6, Page 3/3.		
Print Name:	Authorized Signature:	Date:

Chemtech Scientific provides access to this content as a courtesy.
 We do not own the content contained in this document.
 All rights and credit go directly to its rightful owners.
www.chemtechsci.com
 Call us at: 484-424-9415



Vacuum Products Division Request for Return Form (Health and Safety Certification)

Please use these Failure Mode to describe the concern about the product on Page 2.

TURBO PUMPS and TURBO CONTROLLERS

APPARENT DEFECT/MALFUNCTION	POSITION	PARAMETERS
- Does not start - Does not spin freely - Does not reach full speed - Mechanical Contact - Cooling defective	- Noise - Vibrations - Leak - Overtemperature - Clogging	- Vertical - Horizontal - Upside-down - Other: Power: Rotational Speed: Current: Inlet Pressure: Temp 1: Foreline Pressure: Temp 2: Purge flow: OPERATING TIME:

ION PUMPS/CONTROLLERS

- Bad feedthrough - Vacuum leak - Error code on display	- Poor vacuum - High voltage problem - Other
---------------------------------------------------------------	----------------------------------------------------

VALVES/COMPONENTS

- Main seal leak - Solenoid failure - Damaged sealing area	- Bellows leak - Damaged flange - Other
------------------------------------------------------------------	-----------------------------------------------

LEAK DETECTORS

- Cannot calibrate - Vacuum system unstable - Failed to start	- No zero/high background - Cannot reach test mode - Other
---------------------------------------------------------------------	------------------------------------------------------------------

INSTRUMENTS

- Gauge tube not working - Communication failure - Error code on display	- Display problem - Degas not working - Other
--------------------------------------------------------------------------------	-----------------------------------------------------

SCROLL AND ROTARY VANE PUMPS

- Pump doesn't start - Doesn't reach vacuum - Pump seized	- Noisy pump (describe) - Over temperature - Other
-----------------------------------------------------------------	----------------------------------------------------------

DIFFUSION PUMPS

- Heater failure - Doesn't reach vacuum - Vacuum leak	- Electrical problem - Cooling coil damage - Other
-------------------------------------------------------------	----------------------------------------------------------

Section 6) ADDITIONAL TERMS

Please read the terms and conditions below as they apply to all returns and are in addition to the Agilent Technologies Vacuum Product Division – Products and Services Terms of Sale.

- Customer is responsible for the freight charges for the returning product. Return shipments must comply with all applicable **Shipping Regulations** (IATA, DOT, etc.) and carrier requirements.
- Customers receiving an Advance Exchange product agree to return the defective, rebuildable part to Agilent Technologies **within 15 business days**. Failure to do so, or returning a non-rebuildable part (crashed), will result in an invoice for the non-returned/non-rebuildable part.
- Returns for credit toward the purchase of new or refurbished Products are subject to prior Agilent approval and may incur a restocking fee. Please reference the original purchase order number.
- Units returned for evaluation will be evaluated, and a quote for repair will be issued. If you choose to have the unit repaired, the cost of the evaluation will be deducted from the final repair pricing. A Purchase Order for the final repair price should be issued within 3 weeks of quotation date. Units without a Purchase Order for repair will be returned to the customer, and the evaluation fee will be invoiced.
- A Special Cleaning fee will apply to all exposed products per Section 4 of this document.
- If requesting a calibration service, units must be functionally capable of being calibrated.

TriScroll Exhaust Silencer Kit

This page intentionally left blank.