

**BETRIEBSANLEITUNG  
OPERATING INSTRUCTIONS  
INSTRUCCIONES DE SERVICE  
ISTRUZIONI D'USO  
HANDLEIDING  
INSTRUCCIONES PARA EL MANEJO  
MANUAL DE INSTRUÇÕES  
NAUDOJIMOSI INSTRUKCIJA  
KASUTUSJUHEND  
LIETOŠANAS INSTRUKCIJA  
DRIFTSINSTRUKS  
DRIFTSINSTRUKTIONER  
DRIFTSVEJLEDNING  
INSTRUKCJA OBSŁUGI**


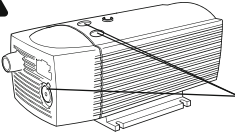


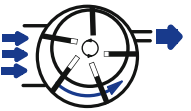




**KEZELÉSI ÚTMUTATÓ  
NÁVOD K OBSLUZE  
NAVODILO ZA UPORABO  
NÁVOD NA OBSLUHU  
UPUTE ZA RAD  
MANUAL DE OPERATII  
TREORACHA OIBRIÚCHÁIN  
ΟΔΗΓΙΕΣ ΧΡΗΣΗΣ  
EL KITABI  
ИНСТРУКЦИИ ЗА ЕКСПЛОАТАЦИЯ  
ИНСТРУКЦИЯ ПО ЕКСПЛОАТАЦИИ  
取扱説明書  
사용설명서  
使用说明书**

## VT 4.10

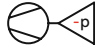
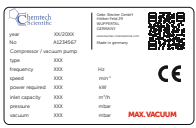

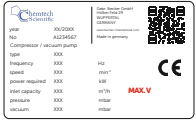
**MAKE IT**

Chemtech Scientific provides access to this content as a courtesy.  
We do not own the content contained in this document.  
All rights and credit go directly to its rightful owners.  
[www.chemtechsci.com](http://www.chemtechsci.com)  
Call us at: 484-424-9415




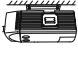
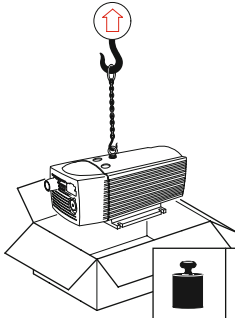


 	
	
 <p><b>AIR</b></p>	 
	 

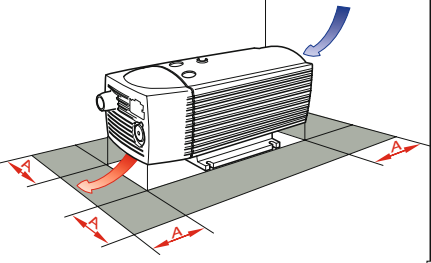
1

 <p><b>MAX. VACUUM</b></p>	 <p>mbar</p>
 <p><b>MAX. V</b></p>	 <p>m<sup>3</sup>/h</p>
<p><b>L<sub>pA</sub></b> )))</p> <p>DIN EN ISO 11203 Accuracy Class 2 K<sub>pA</sub> = 3 dB(A) l ← 1m</p>	<p>L<sub>pA</sub> = 60 dB(A) - 50Hz L<sub>pA</sub> = 62 dB(A) - 60Hz</p>

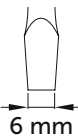
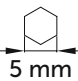

2

			
	<p>16 kg 35.3 lbs</p>		

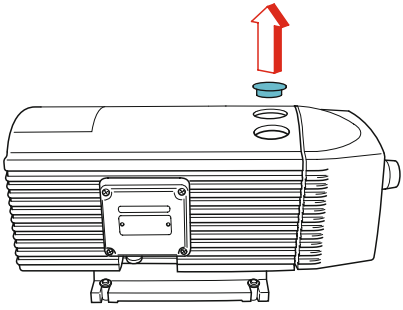
3

<p>A &gt; 100mm A &gt; 4"</p>	<p>&gt; 5°C/41°F &lt; 45°C/113°F</p>	<p>max. 90%</p>	<p>max. 800m</p>
			

4

 <p>6 mm</p>	 <p>5 mm</p>	 <p>7 mm</p>
---	---	---

5


---

6

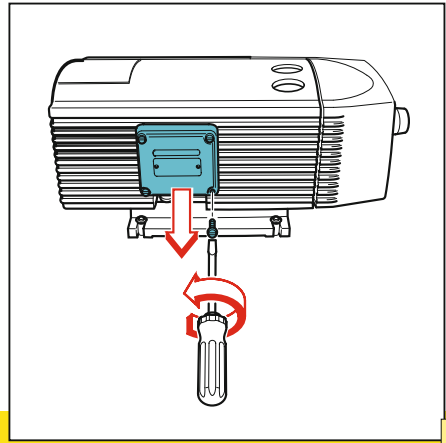
**MOTOR-PROTECTION**

=

CF 1,XX	
50Hz	60Hz
XXX / 2000 V	XXX / 2000 V
XXX / 200 A	XXX / 200 A

SERVICE FACTOR X RATED CURRENT

7



8

3 ph

ON (I) - **MAX 10x/h**

OFF (0) -

9

3 ph

10

0 2 10 [m]

**VACUUM**

11

**MAX.**

-0,85 bar

-25,1 in.Hg

12

**Maintenance**




**n=0min<sup>-1</sup>**

2-3 Min



13

14

3x		A	<input checked="" type="checkbox"/>	6.2Nm
2x		-X	<input type="checkbox"/>	2Nm

**F1:** D: 38 mm  
H: 38 mm  
No.: 9095180000

15

**CLEANING INTERVAL**

40h  
↑  
↓  
200h

EN149 - FFP3  
42 CFR 84 - N100

**F1**

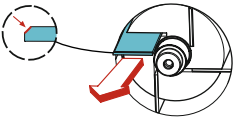
16

**F1:** D: 38 mm  
H: 38 mm  
No.: 9095180000


17



18

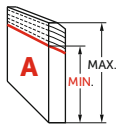
**3000 h**




$A_{MAX} = 27\text{mm}$   
 $A_{MIN} = 18\text{mm}$


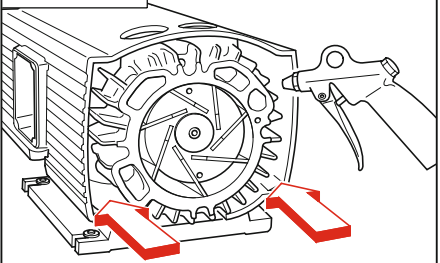
$A_{T} < 18\text{mm}$  


 → No. 90132700007 (SET)

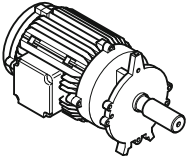



19

20








 Regulation EU 2019/1781

This pump falls under an exemption from EU 2019/1781 as the motor and the pump have common parts.

21







22

Chemtech Scientific provides access to this content as a courtesy.  
We do not own the content contained in this document.  
All rights and credit go directly to its rightful owners.  
[www.chemtechsci.com](http://www.chemtechsci.com)  
Call us at: 484-424-9415

 Chemtech  
Scientific