
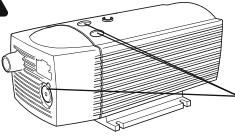









**BETRIEBSANLEITUNG  
OPERATING INSTRUCTIONS  
INSTRUCTIONS DE SERVICE  
ISTRUZIONI D'USO  
HANDLEIDING  
INSTRUCCIONES PARA EL MANEJO  
MANUAL DE INSTRUÇÕES  
NAUDOJIMOSI INSTRUKCIJA  
KASUTUSJUHEND  
LIETOŠANAS INSTRUKCIJA  
DRIFTSINSTRUKS  
DRIFTSINSTRUKTIONER  
DRIFTSVEJLEDNING  
INSTRUKCJA OBSŁUGI**




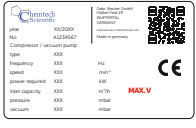
**KEZELÉSI ÚTMUTATÓ  
NÁVOD K OBSLUZE  
NAVODILO ZA UPORABO  
NÁVOD NA OBSLUHU  
URUTE ZA RAD  
MANUAL DE OPERATII  
TREORACHA OIBRIÚCHÁIN  
ΟΔΗΓΙΕΣ ΧΡΗΣΗΣ  
EL KITABI  
ИНСТРУКЦИИ ЗА ЕКСПЛОАТАЦИЯ  
ИНСТРУКЦИЯ ПО ЕКСПЛОАТАЦИИ  
取扱説明書  
사용설명서  
使用说明书**

Chemtech Scientific provides access to this content as a courtesy.  
We do not own the content contained in this document.  
All rights and credit go directly to its rightful owners.  
[www.chemtechsci.com](http://www.chemtechsci.com)  
Call us at: 484-424-9415




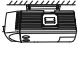
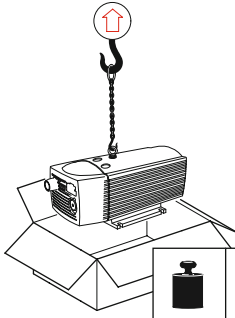


|   |   |
|---|---|
|   |    |
|   |    |
|  <p><input checked="" type="checkbox"/> <b>AIR</b></p>                             |   |
|   |   |



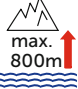
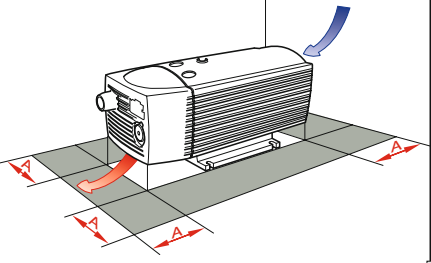
1

|   |  |
|---|--|
|  <p><b>MAX. VACUUM</b></p>           |  <p><b>MAX. VACUUM</b> mbar</p>       |
|  <p><b>MAX. V</b></p>                |  <p><b>MAX. V</b> m<sup>3</sup>/h</p> |
| <p><b>L<sub>pA</sub></b> )))</p> <p>DIN EN ISO 11203<br/>Accuracy Class 2<br/>K<sub>pA</sub> = 3 dB(A)<br/>l ← 1m</p> | <p><b>L<sub>pA</sub></b> = 61 dB(A) - 50Hz<br/><b>L<sub>pA</sub></b> = 64 dB(A) - 60Hz</p>                             |


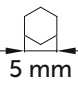

2

|   |
|---|
|     |
|  <p>22.4 kg<br/>49.1 lbs</p>  |

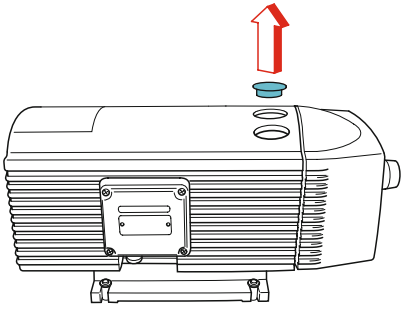
3

|  |  |   |   |
|--|--|---|---|
| <p><b>A &gt; 100mm</b><br/><b>A &gt; 4"</b></p>                                    |  <p>&gt; 5°C/41°F<br/>&lt; 45°C/113°F</p> |  <p>max. 90%</p> |  <p>max. 800m ↑</p> |
|  |  |   |   |

4

|   |   |   |
|---|---|---|
|  <p>6 mm</p> |  <p>5 mm</p> |  <p>7 mm</p> |
|---|---|---|

5

|   |
|---|
|  |
|---|

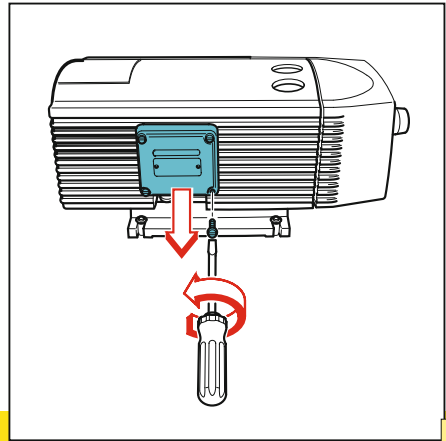
6

**MOTOR-PROTECTION =**

|              |              |
|--------------|--------------|
| (cf. LXX)    |              |
| 50Hz         | 60Hz         |
| XXX / 2XXX V | XXX / 2XXX V |
| (XX / XX A)  | (XX / XX A)  |

**SERVICE FACTOR X RATED CURRENT**

7



8

**3 ph**

ON (1) -

OFF (0) -

9

**3 ph**

10

0 2 10 [m]




**VACUUM**


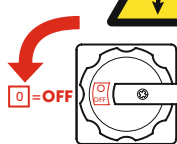


11





MAX. -0,85 bar  
-25,1 in.Hg

12

**Maintenance**

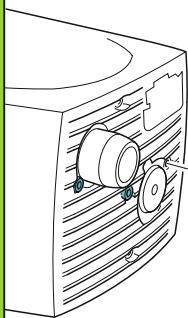




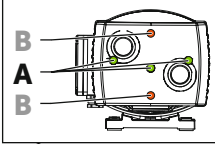






13

14




|    |  |              |
|----|--|--------------|
| 3x | <b>A</b> <input checked="" type="checkbox"/> | <b>6.2Nm</b> |
| 2x | <input type="checkbox"/>                     | <b>2Nm</b>   |



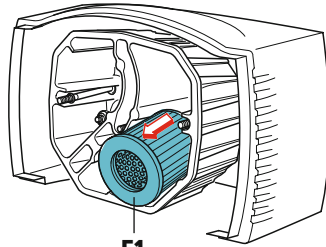


**CLEANING INTERVAL**

|             |     |
|-------------|-----|
| SUCTION AIR | 40h |
| ↓           | ↑   |
| 200h        | ↓   |



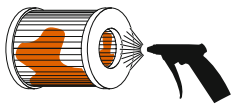
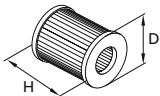
EN149 - FFP3  
42 CFR 84 - N100



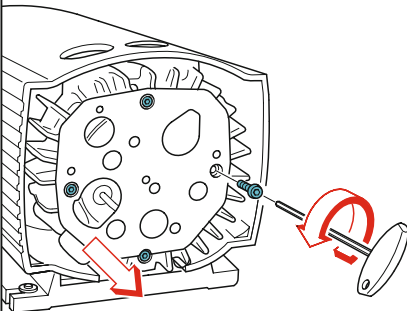
**F1**

15

16

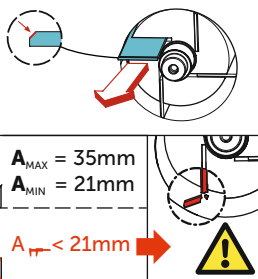



**F1:**      D: 58 mm  
                  H: 40 mm  
                  No.: 90951900000




17

18



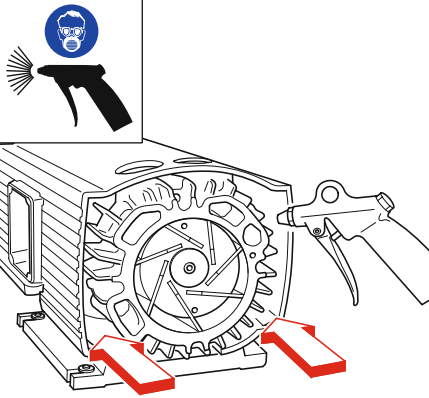
**3000 h**

$A_{MAX} = 35\text{mm}$   
 $A_{MIN} = 21\text{mm}$

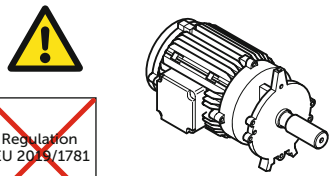
$A_{T} < 21\text{mm}$  → 

→ No. 90134700007 (SET)

19



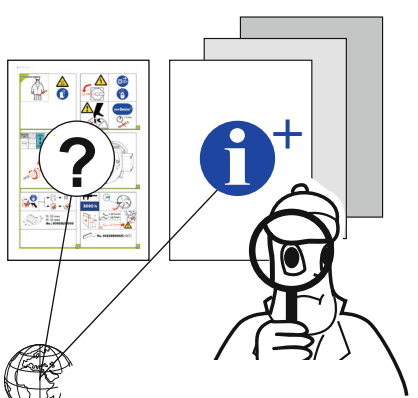
20



~~Regulation  
EU 2019/1781~~

This pump falls under an exemption from EU 2019/1781 as the motor and the pump have common parts.

21



22

Chemtech Scientific provides access to this content as a courtesy.  
 We do not own the content contained in this document.  
 All rights and credit go directly to its rightful owners.  
[www.chemtechsci.com](http://www.chemtechsci.com)  
 Call us at: 484-424-9415

