
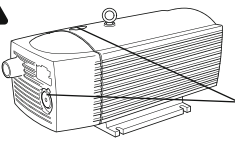


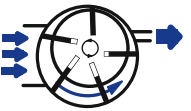







**BETRIEBSANLEITUNG
OPERATING INSTRUCTIONS
INSTRUCTIONS DE SERVICE
ISTRUZIONI D'USO
HANDLEIDING
INSTRUCCIONES PARA EL MANEJO
MANUAL DE INSTRUÇÕES
NAUDOJIMOSI INSTRUKCIJA
KASUTUSJUHEND
LIETOŠANAS INSTRUKCIJA
DRIFTSINSTRUKS
DRIFTSINSTRUKTIONER
DRIFTSVEJLEDNING
INSTRUKCJA OBSŁUGI**




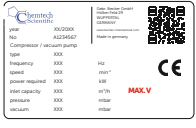
**KEZELÉSI ÚTMUTATÓ
NÁVOD K OBSLUZE
NAVODILO ZA UPORABO
NÁVOD NA OBSLUHU
UPUTE ZA RAD
MANUAL DE OPERATII
TREORACHA OIBRIÚCHÁIN
ΟΔΗΓΙΕΣ ΧΡΗΣΗΣ
EL KITABI
ИНСТРУКЦИИ ЗА ЕКСПЛОАТАЦИЯ
ИНСТРУКЦИЯ ПО ЕКСПЛОАТАЦИИ
取扱説明書
사용설명서
使用说明书**

Chemtech Scientific provides access to this content as a courtesy.
We do not own the content contained in this document.
All rights and credit go directly to its rightful owners.
www.chemtechsci.com
Call us at: 484-424-9415

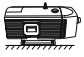

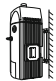
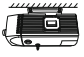




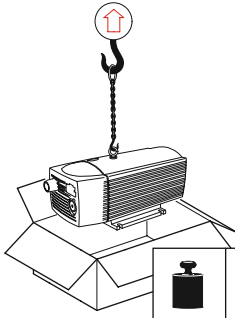
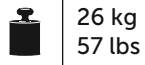




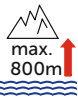
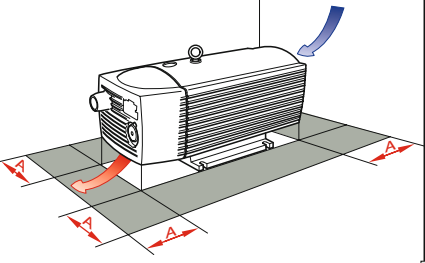
1

 <p>MAX. VACUUM</p>	 <p>mbar</p>
 <p>MAX.</p>	 <p>m³/h</p>
<p>L_{pA})))</p> <p>DIN EN ISO 11203 Accuracy Class 2 K_{pA} = 3 dB(A) l ← 1m</p>	<p>L_{pA} = 62 dB(A) - 50Hz L_{pA} = 67 dB(A) - 60Hz</p>

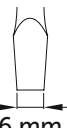
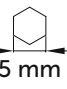
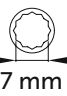
2

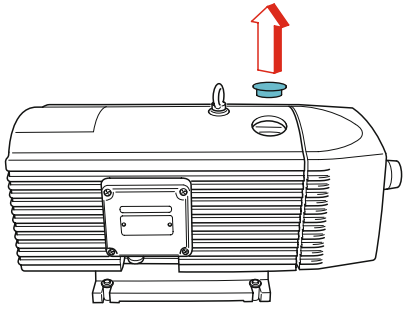
3

<p>A > 100mm A > 4"</p>	 <p>> 5°C/41°F < 45°C/113°F</p>	 <p>max. 90%</p>	 <p>max. 80m</p>
			

4

 <p>6 mm</p>	 <p>5 mm</p>	 <p>7 mm</p>
---	---	---

5



6

MOTOR-PROTECTION =

(CF 1.3X)	
50Hz	60Hz
XXX / 200X V	XXX / 200X V
(XX / 0X X)	(XX / 0X X)

SERVICE FACTOR X RATED CURRENT

7

8

3 ph

9

3 ph

10




VACUUM


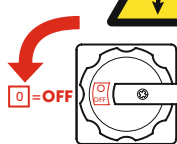


11





MAX. -0,85 bar
-25,1 in.HG

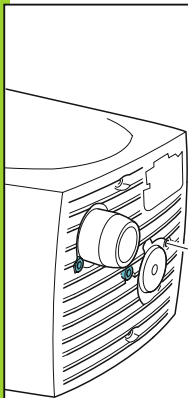
12

Maintenance

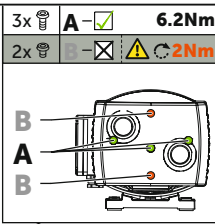




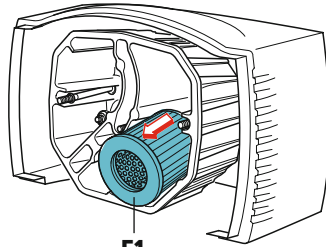







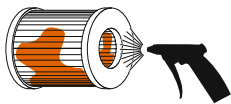
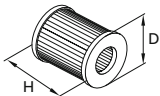
3x		A	<input checked="" type="checkbox"/>	6.2Nm
2x		B	<input type="checkbox"/>	2Nm



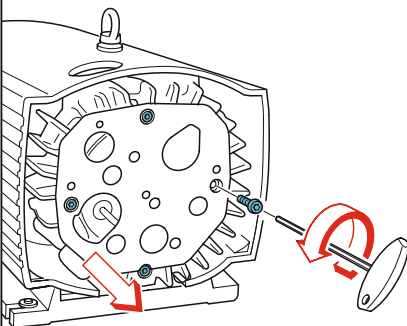
	SUCTION AIR		40h	 EN149 - FFP3 42 CFR 84 - N100
CLEANING INTERVAL		200h		

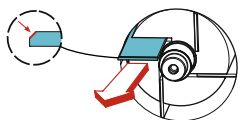


F1

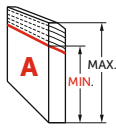
F1: D: 64 mm
 H: 70 mm
 No.: 90950500000






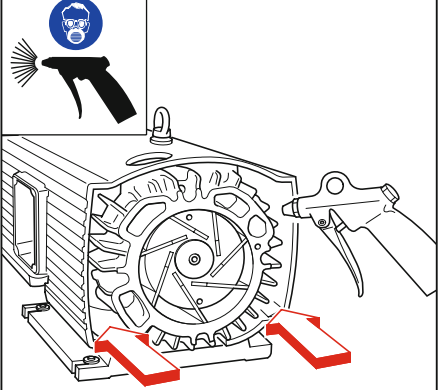
3000 h

$A_{MAX} = 43\text{mm}$
 $A_{MIN} = 28\text{mm}$

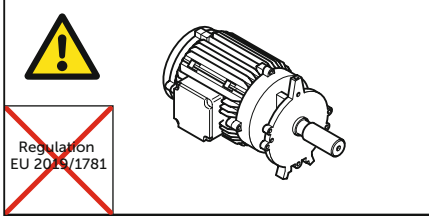
$A_{min} < 28\text{mm}$ 


 → No. 90134900007 (SET)

19



20








~~Regulation
EU 2019/1781~~

This pump falls under an exemption from EU 2019/1781 as the motor and the pump have common parts.

21







22

Chemtech Scientific provides access to this content as a courtesy.
We do not own the content contained in this document.
All rights and credit go directly to its rightful owners.
www.chemtechsci.com
Call us at: 484-424-9415

