
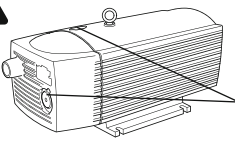


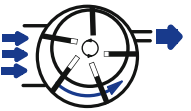






**BETRIEBSANLEITUNG  
OPERATING INSTRUCTIONS  
INSTRUCTIONS DE SERVICE  
ISTRUZIONI D'USO  
HANDLEIDING  
INSTRUCCIONES PARA EL MANEJO  
MANUAL DE INSTRUÇÕES  
NAUDOJIMOSI INSTRUKCIJA  
KASUTUSJUHEND  
LIETOŠANAS INSTRUKCIJA  
DRIFTSINSTRUKS  
DRIFTSINSTRUKTIONER  
DRIFTSVEJLEDNING  
INSTRUKCJA OBSŁUGI**




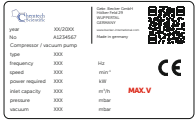
**KEZELÉSI ÚTMUTATÓ  
NÁVOD K OBSLUZE  
NAVODILO ZA UPORABO  
NÁVOD NA OBSLUHU  
URUTE ZA RAD  
MANUAL DE OPERATII  
TREORACHA OIBRIÚCHÁIN  
ΟΔΗΓΙΕΣ ΧΡΗΣΗΣ  
EL KITABI  
ИНСТРУКЦИИ ЗА ЕКСПЛОАТАЦИЯ  
ИНСТРУКЦИЯ ПО ЕКСПЛОАТАЦИИ  
取扱説明書  
사용설명서  
使用说明书**

Chemtech Scientific provides access to this content as a courtesy.  
We do not own the content contained in this document.  
All rights and credit go directly to its rightful owners.  
[www.chemtechscientific.com](http://www.chemtechscientific.com)  
Call us at 484-424-9415

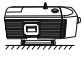

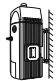
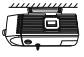
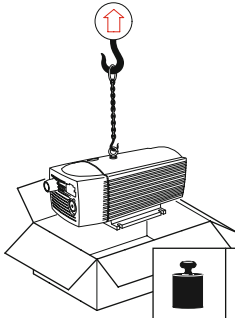


 	
	
 <p><input checked="" type="checkbox"/> <b>AIR</b></p>	 
	 

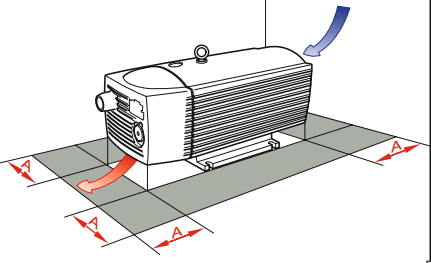
1

 <p><b>MAX. VACUUM</b></p>	 <p>mbar</p>
 <p><b>MAX. V</b></p>	 <p>m<sup>3</sup>/h</p>
<p><b>L<sub>pA</sub></b> )))</p> <p>DIN EN ISO 11203 Accuracy Class 2 K<sub>pA</sub> = 3 dB(A) l ← 1m</p>	<p>L<sub>pA</sub> = 67 dB(A) - 50Hz L<sub>pA</sub> = 72 dB(A) - 60Hz</p>

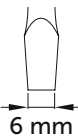
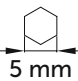

2

			
	<p>39 kg 85 lbs</p>		

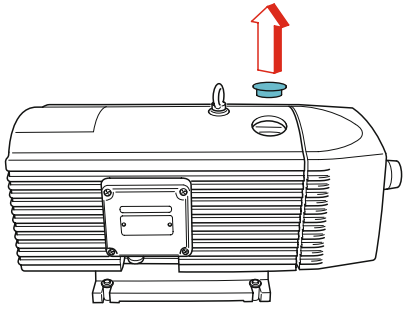
3

<p>A &gt; 100mm A &gt; 4"</p>	<p>&gt; 5°C/41°F &lt; 45°C/113°F</p>	<p>max. 90%</p>	<p>max. 800m</p>
			

4

 <p>6 mm</p>
 <p>5 mm</p>
 <p>7 mm</p>

5


---

6

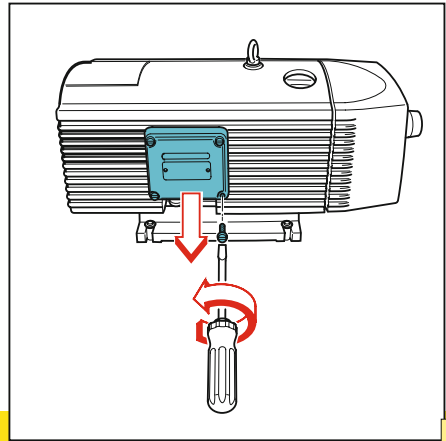
**i+**

**MOTOR-PROTECTION**  
=

50Hz		60Hz	
XXX / 2000 V	XXX / 2000 V	XXX / 2000 V	XXX / 2000 V
002 / 002 A	002 / 002 A	002 / 002 A	002 / 002 A

**SERVICE FACTOR**  
**X**  
**RATED CURRENT**

7



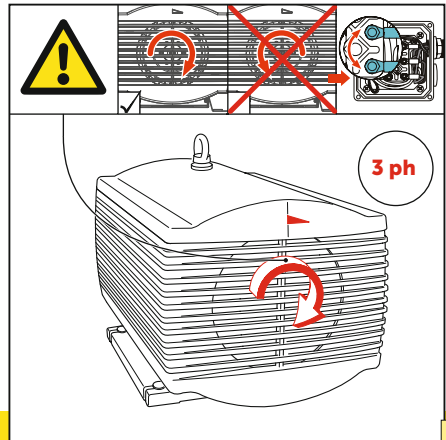
**i+**

**3 ph**

**ON (I) -** 1 2 **MAX 10x/h**

**OFF (0) -**

9






**Standard VT 4.40/0-90**


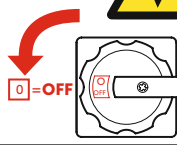


11





<b>Standard</b>	VT 4.40/0-90 (Index A)
<b>MAX.</b>	MAX. -0,85 bar / -20,7 in.HG
	VT 4.40/0-90 (Index B)
	↳ Standard

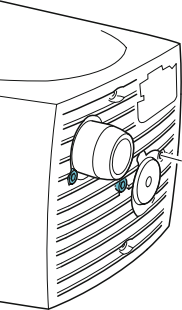
12

**Maintenance**

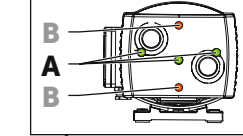










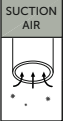


3x		A	<input checked="" type="checkbox"/>	6.2Nm
2x		B	<input type="checkbox"/>	2Nm





**SUCTION AIR**




**CLEANING INTERVAL**

40h

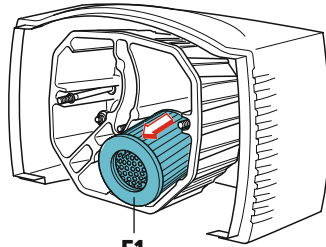
↑

↓

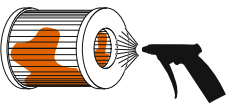
200h

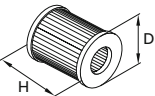


EN149 - FFP3  
42 CFR 84 - N100

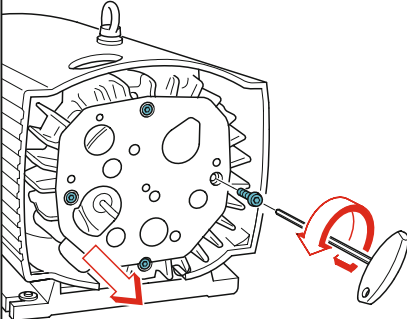



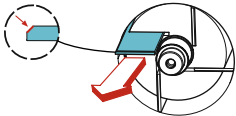
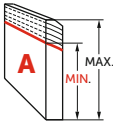

**F1**



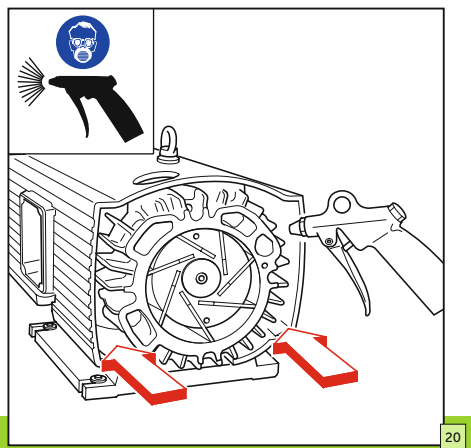


**F1:**      D: 64 mm  
                  H: 70 mm  
                  No.: 90950500000



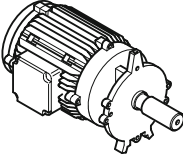


 <b>3000 h</b>	
	<p><b>Standard</b></p> <p><math>A_{\text{MIN}} = 28\text{mm}</math></p> <p><b>VT 4.40/0-90</b> </p> <p><math>A_{\text{MIN}} = 33\text{mm}</math> <math>A &lt; A_{\text{MIN}}</math></p>
<p><b>Standard</b> → No. 90135200007 (SET)</p>	
<p><b>VT 4.40/0-90</b> (Index <b>B</b>) → No. 90139700007 (SET)</p>	

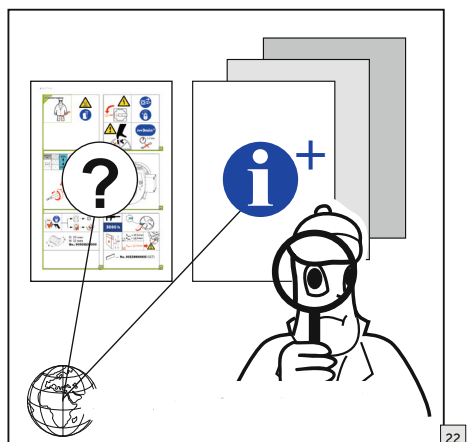
19



20

 	
<p>This pump falls under an exemption from EU 2019/1781 as the motor and the pump have common parts.</p>	

21



22

Chemtech Scientific provides access to this content as a courtesy.  
 We do not own the content contained in this document.  
 All rights and credit go directly to its rightful owners.  
[www.chemtechsci.com](http://www.chemtechsci.com)  
 Call us at: 484-424-9415

