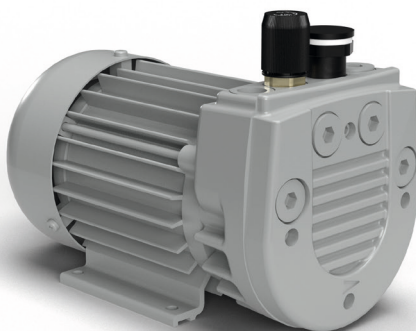

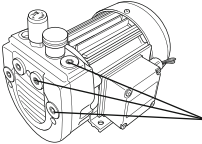


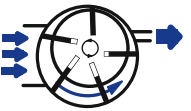






**BETRIEBSANLEITUNG
OPERATING INSTRUCTIONS
INSTRUCTIONS DE SERVICE
ISTRUZIONI D'USO
HANDLEIDING
INSTRUCCIONES PARA EL MANEJO
MANUAL DE INSTRUÇÕES
NAUDOJIMOSI INSTRUKCIJA
KASUTUSJUHEND
LIETOŠANAS INSTRUKCIJA
DRIFTSINSTRUKS
DRIFTSINSTRUKTIONER
DRIFTSVEJLEDNING
INSTRUKCJA OBSŁUGI**


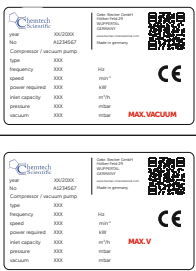
**KEZELÉSI ÚTMUTATÓ
NÁVOD K OBSLUZE
NAVODILO ZA UPORABO
NÁVOD NA OBSLUHU
UPUTE ZA RAD
MANUAL DE OPERATII
TREORACHA OIBRIÚCHÁIN
ΟΔΗΓΙΕΣ ΧΡΗΣΗΣ
EL KITABI
ИНСТРУКЦИИ ЗА ЕКСПЛОАТАЦИЯ
ИНСТРУКЦИЯ ПО ЕКСПЛОАТАЦИИ
取扱説明書
사용설명서
使用说明书**

Chemtech Scientific provides access to this content as a courtesy.
We do not own the content contained in this document.
All rights and credit go directly to its rightful owners.
www.chemtechsci.com
Call us at: 484-424-9415



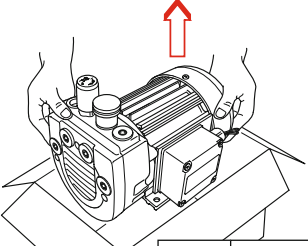



 	
	
 <p><input checked="" type="checkbox"/> AIR</p>	 
	 



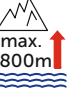
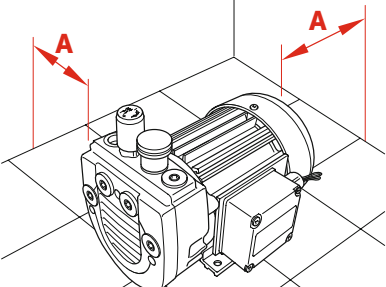
1

<p>MAX. VACUUM</p>  <p>MAX.</p>		<p>mbar</p>
	<p>L_{pA})))</p> <p>DIN EN ISO 11203 Accuracy Class 2 $K_{sA} = 3 \text{ dB(A)}$ $r = 1\text{m}$</p>	<p>$L_{pA} = 59 \text{ dB(A)} - 50\text{Hz}$ $L_{pA} = 61 \text{ dB(A)} - 60\text{Hz}$</p>

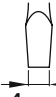
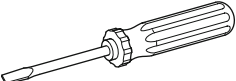

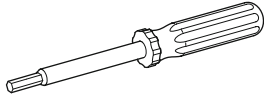

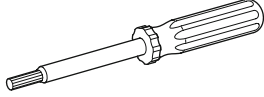
2

	
	
	<p>7 kg 15,4 lbs</p>

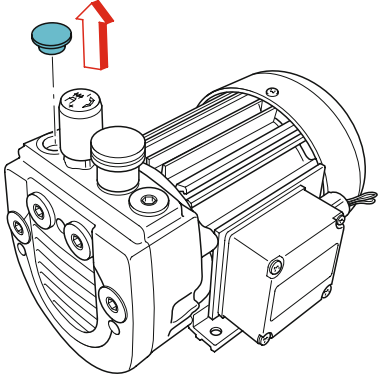
3

<p>A > 100mm A > 4"</p>	 <p>> 5°C/41°F < 45°C/113°F</p>	 <p>max. 90%</p>	 <p>max. 800m</p>
			

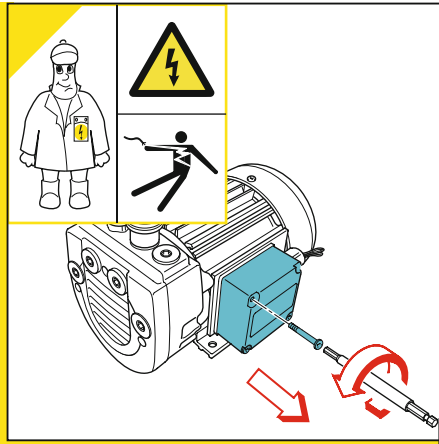
4

 <p>4 mm</p>	
 <p>6 mm</p>	
 <p>T20</p>	

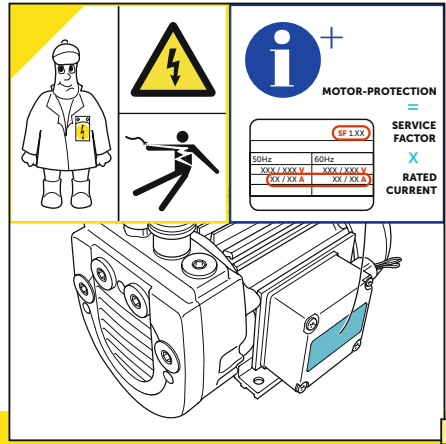
5



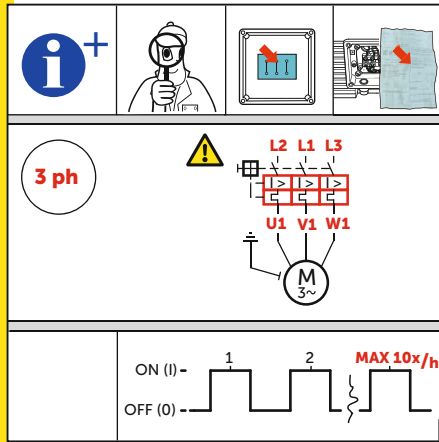
6



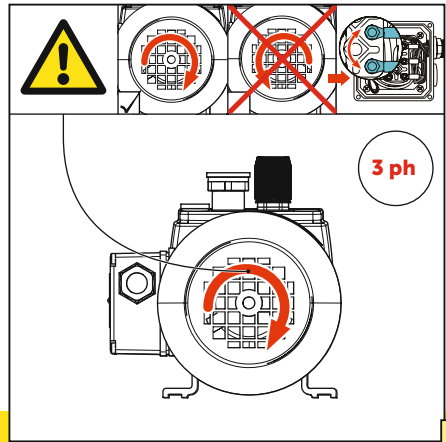
7



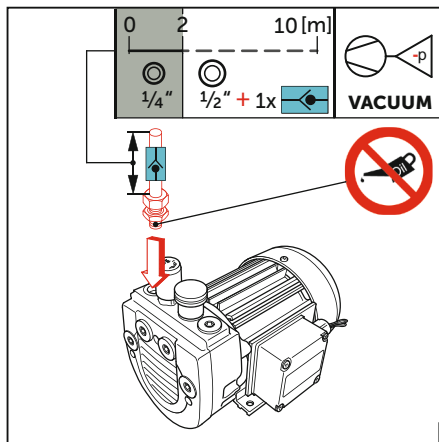
8



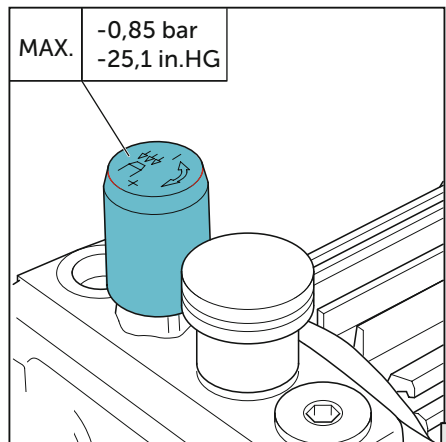
9



10

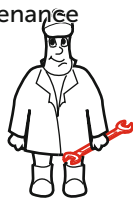




11






12

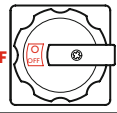


Maintenance

13






0 = OFF


n=0 min⁻¹

2-3 Min




14


CLEANING INTERVAL




SUCTION AIR



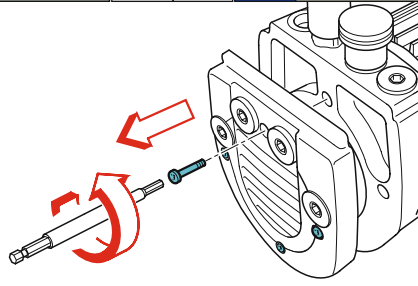
40h



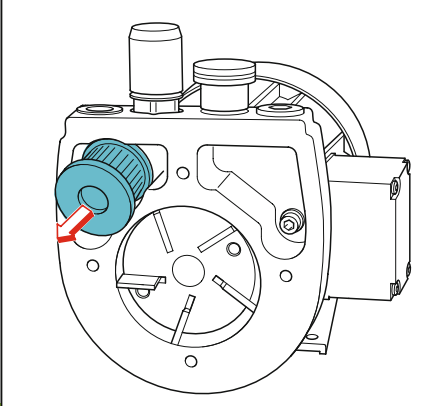
200h



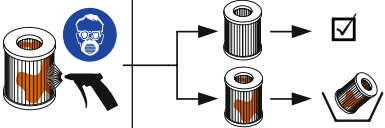
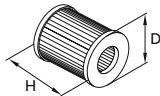
EN149 - FFP3
42 CFR 84 - N100



15



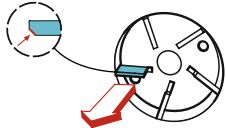
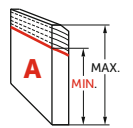
16


D: 25 mm
H: 24 mm
No.: 9095800000


17

3000 h

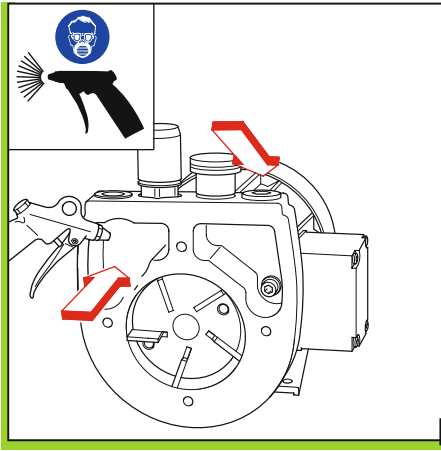



$A_{MAX} = 16\text{mm}$
 $A_{MIN} = 11\text{mm}$

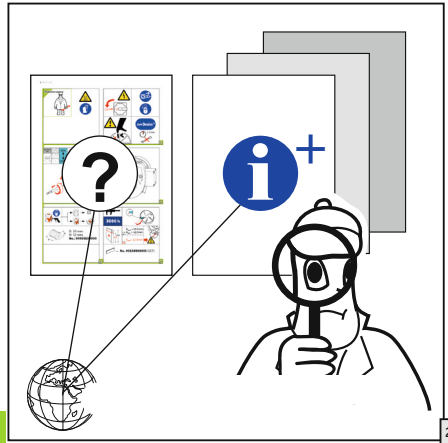
$A_{TIP} < 11\text{mm}$ → 

 → No. 90138700005 (SET)

18



19



20

Chemtech Scientific provides access to this content as a courtesy.
We do not own the content contained in this document.
All rights and credit go directly to its rightful owners.
www.chemtechsci.com
Call us at: 484-424-9415

