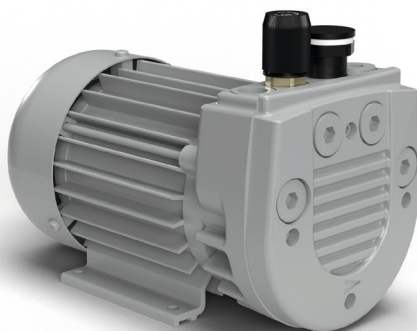

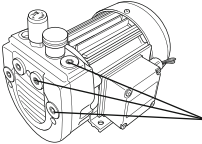


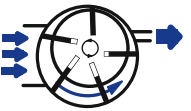






**BETRIEBSANLEITUNG
OPERATING INSTRUCTIONS
INSTRUCTIONS DE SERVICE
ISTRUZIONI D'USO
HANDLEIDING
INSTRUCCIONES PARA EL MANEJO
MANUAL DE INSTRUÇÕES
NAUDOJIMOSI INSTRUKCIJA
KASUTUSJUHEND
LIETOŠANAS INSTRUKCIJA
DRIFTSINSTRUKS
DRIFTSINSTRUKTIONER
DRIFTSVEJLEDNING
INSTRUKCJA OBSŁUGI**



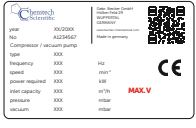
**KEZELÉSI ÚTMUTATÓ
NÁVOD K OBSLUZE
NAVODILO ZA UPORABO
NÁVOD NA OBSLUHU
UPUTE ZA RAD
MANUAL DE OPERATII
ΤΡΕΟΡΑΧΑ ΟΙΒΡΙΟΥΧΑΪΝ
ΟΔΗΓΙΕΣ ΧΡΗΣΗΣ
EL KITABI
ИНСТРУКЦИИ ЗА ЕКСПЛОАТАЦИЯ
ИНСТРУКЦИЯ ПО ЕКСПЛОАТАЦИИ
取扱説明書
사용설명서
使用说明书**





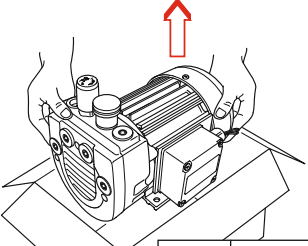
Chemtech Scientific provides access to this content as a courtesy.
We do not own the content contained in this document.
All rights and credit go directly to its rightful owners.
www.chemtechsci.com
Call us at: 484-424-9415





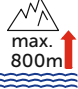
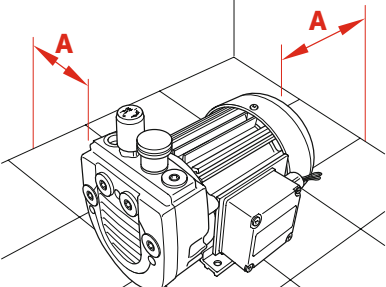
 	
	
 <p><input checked="" type="checkbox"/> AIR</p>	 
	 

1


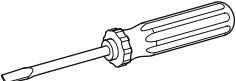

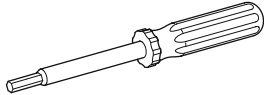

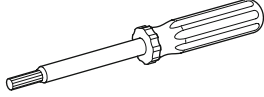
<p>MAX. VACUUM</p>  <p>MAX.</p>		<p>mbar</p>
		<p>m³/h</p>
<p>L_{pA})))</p> <p>DIN EN ISO 11203 Accuracy Class 2 K_{son} = 3 dB(A) l=1m</p>	<p>L_{pA} = 58 dB(A) - 50Hz L_{pA} = 61 dB(A) - 60Hz</p>	<p>2</p>

 	 
	<p>11,5 kg 25,3 lbs</p>

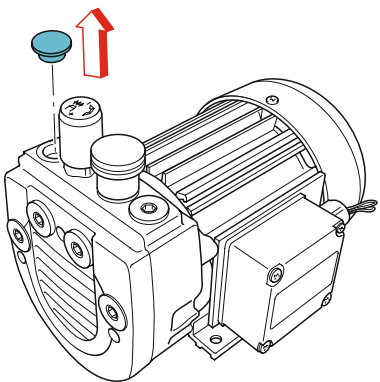
3

<p>A > 100mm A > 4"</p>	 <p>> 5°C/41°F < 45°C/113°F</p>	 <p>max. 90%</p>	 <p>max. 800m</p>
			

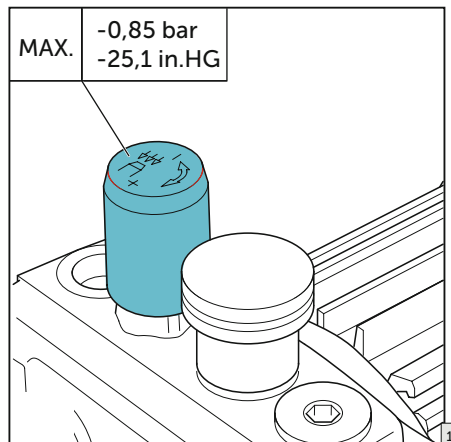
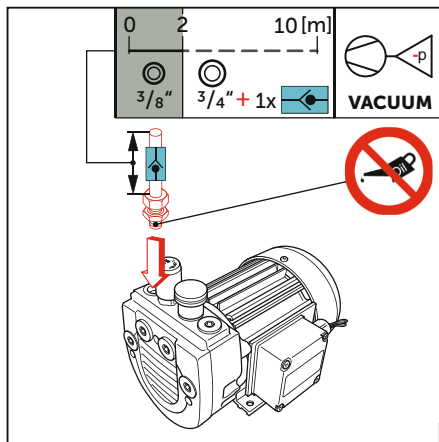
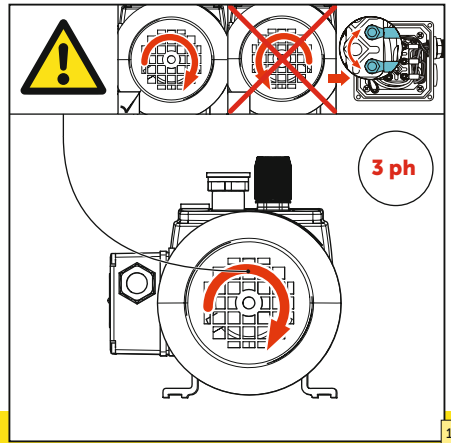
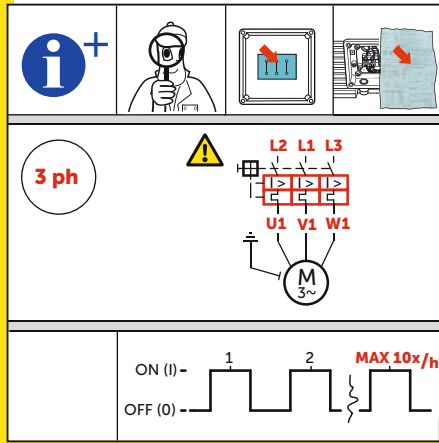
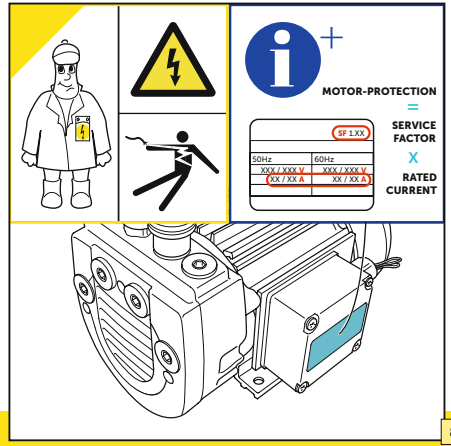
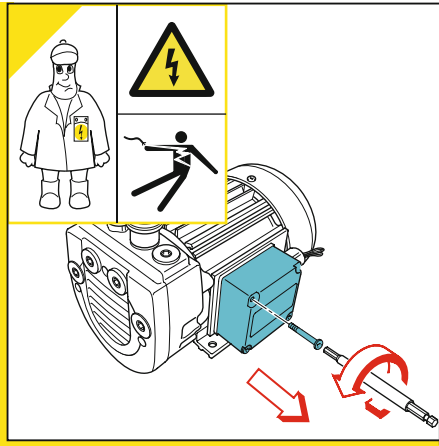
4

 <p>4 mm</p>	
 <p>6 mm</p>	
 <p>T20</p>	




5




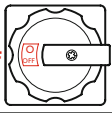





6



Maintenance






13










14


CLEANING INTERVAL



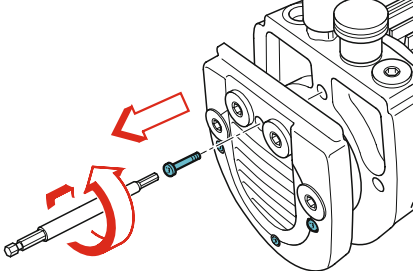
SUCTION AIR



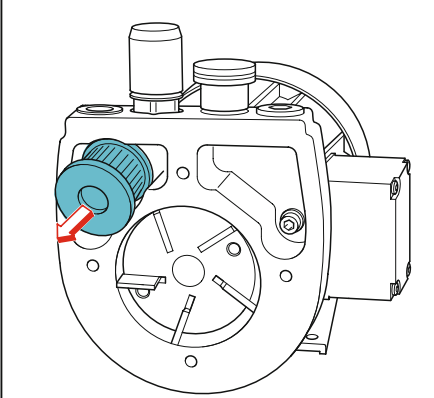
40h
↕
200h



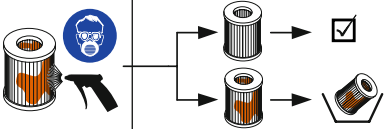
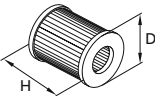
EN149 - FFP3
42 CFR 84 - N100



15

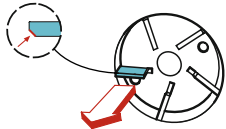


16

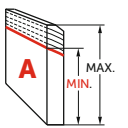



D: 30 mm
H: 32 mm
No.: 90958100000


17





3000 h

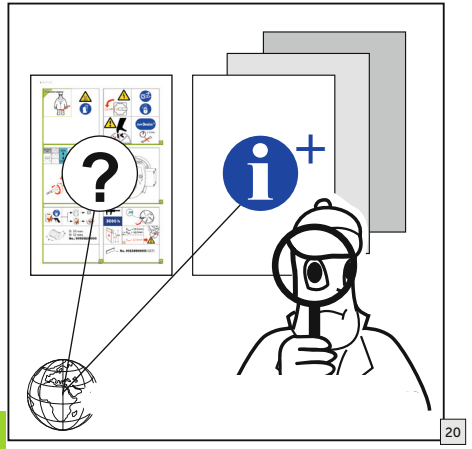
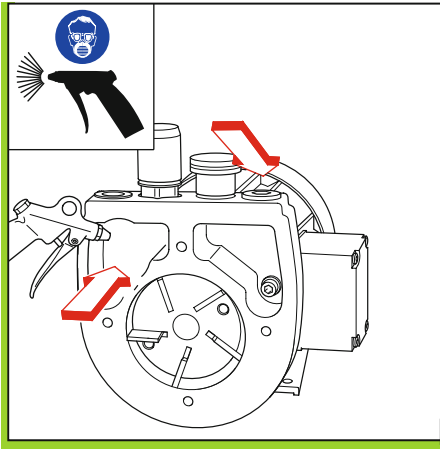


$A_{MAX} = 18,5\text{mm}$
 $A_{MIN} = 12,5\text{mm}$

$A_{FILT} < 12,5\text{mm}$ → 

18



Chemtech Scientific provides access to this content as a courtesy.
We do not own the content contained in this document.
All rights and credit go directly to its rightful owners.
www.chemtechsci.com
Call us at: 484-424-9415

