

**Betriebsanleitung**  
**Operating Instructions**  
**Instructions de service**  
**Istruzioni d'uso**  
**Handleiding**  
**Instrucciones para el manejo**  
**Manual de instruções**  
**Naudojimosi instrukcija**  
**Kasutusjuhend**  
**Lietošanas instrukcija**  
**Driftsinstruks**  
**Driftsinstruktioner**  
**Käyttöohje**  
**Driftsvejledning**  
**Instrukcja obsługi**

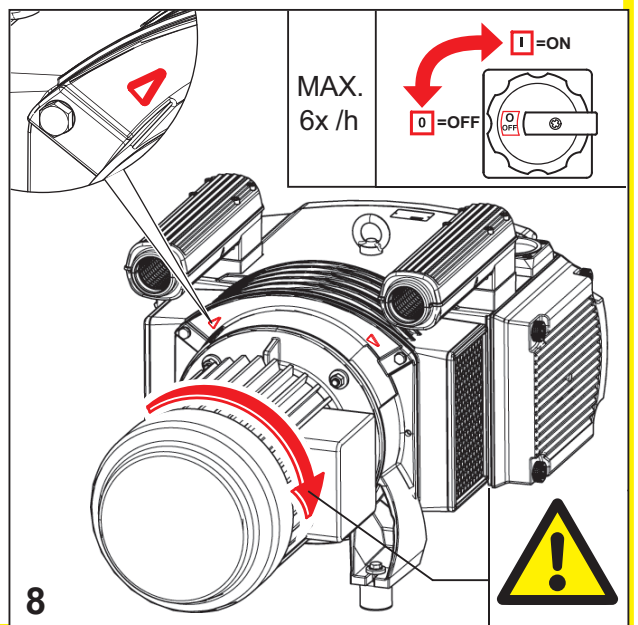
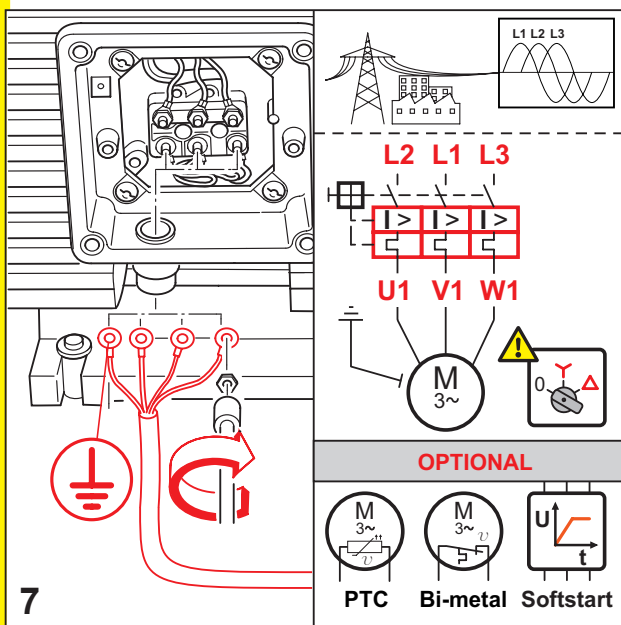
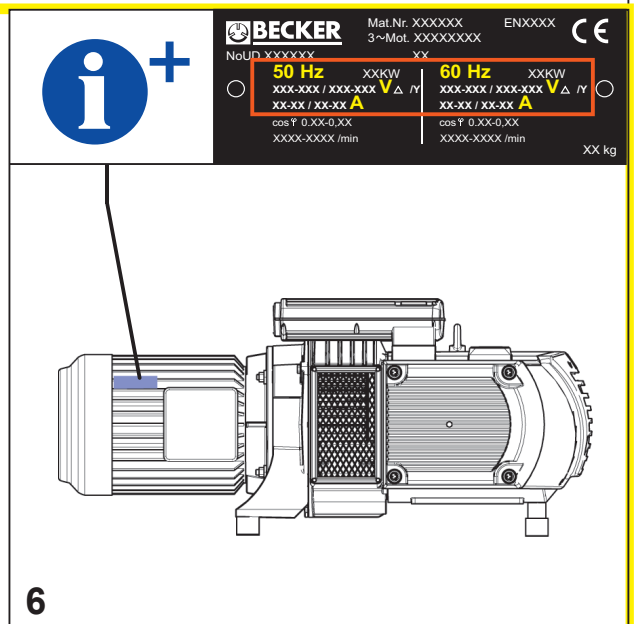
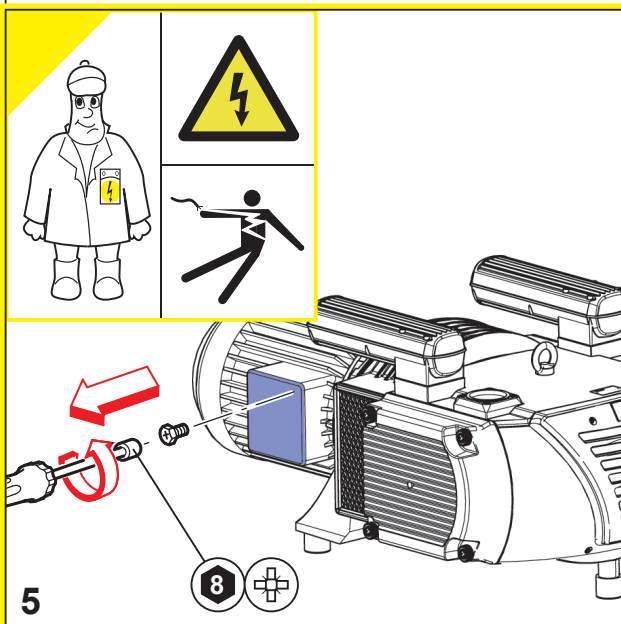
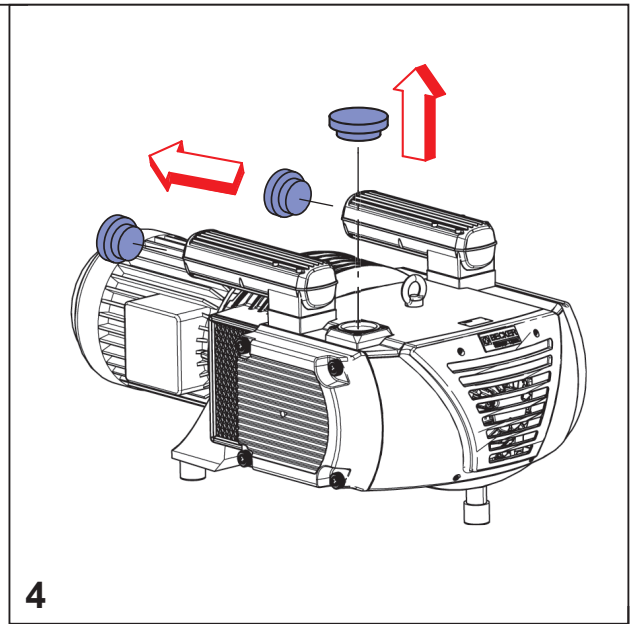
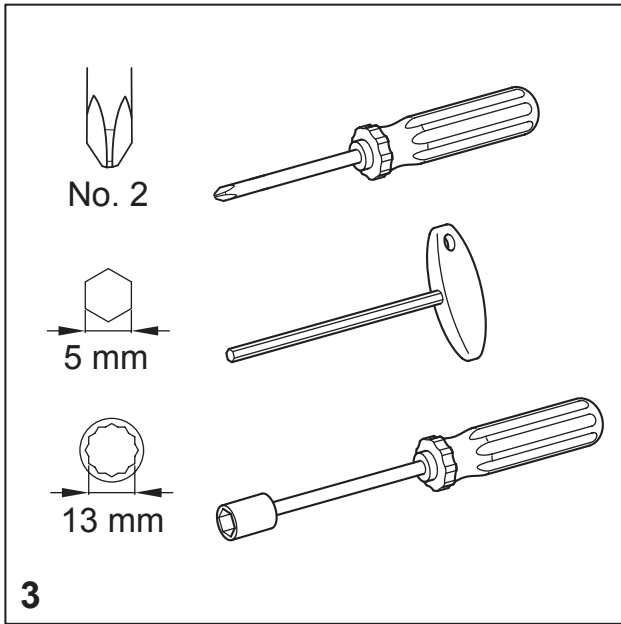
**Kezelési útmutató**  
**Návod k obsluze**  
**Navodilo za uporabo**  
**Návod na obsluhu**  
**Upute za rad**  
**Manual de operatii**  
**Treoracha Oibriúcháin**  
**Οδηγίες χρήσης**  
**Ei Kitabi**  
**Инструкции за експлоатация**  
**Инструкция по эксплуатации**  
**取扱説明書**  
**사용설명서**  
**使用说明书**

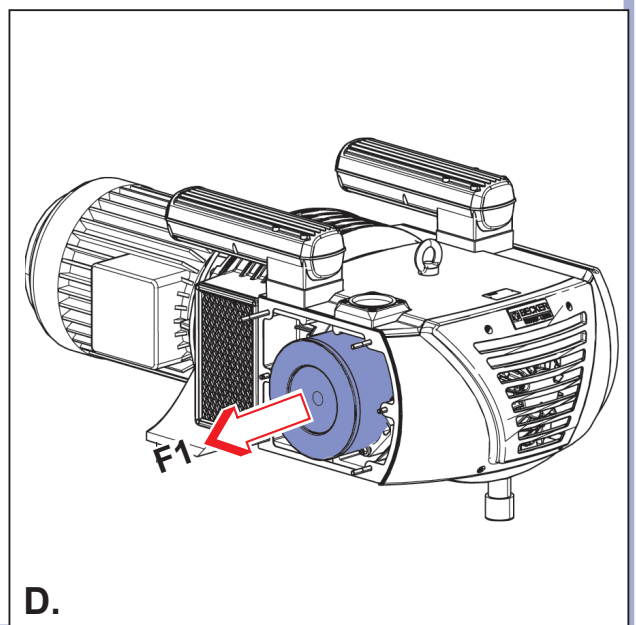
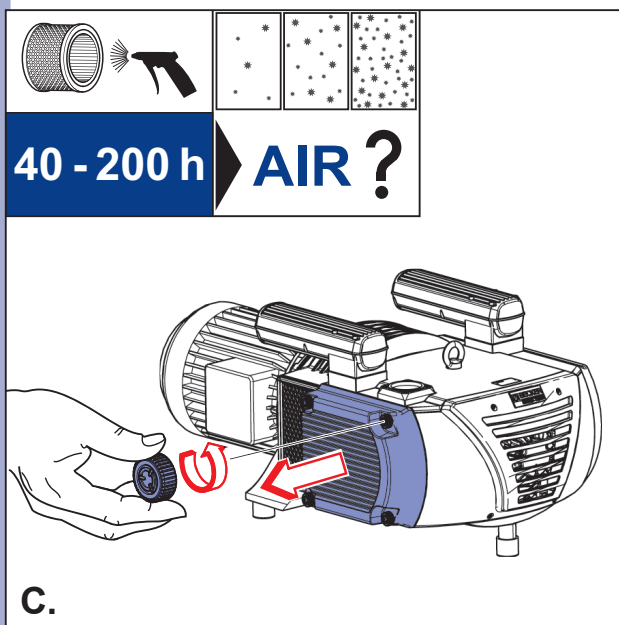
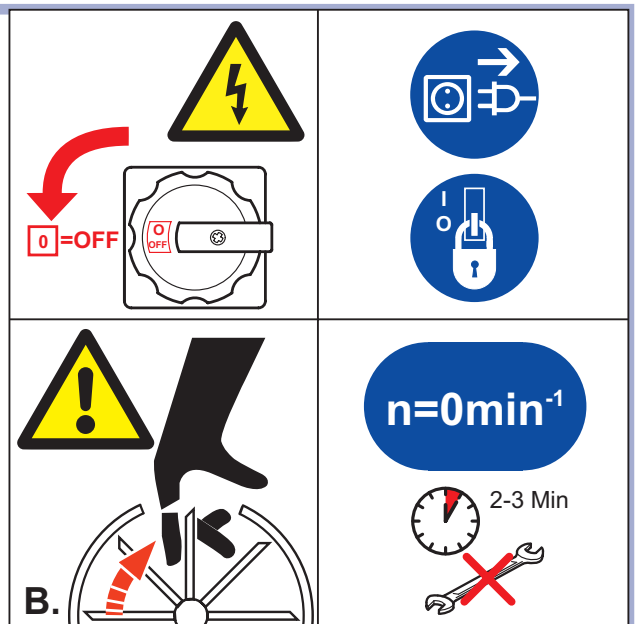
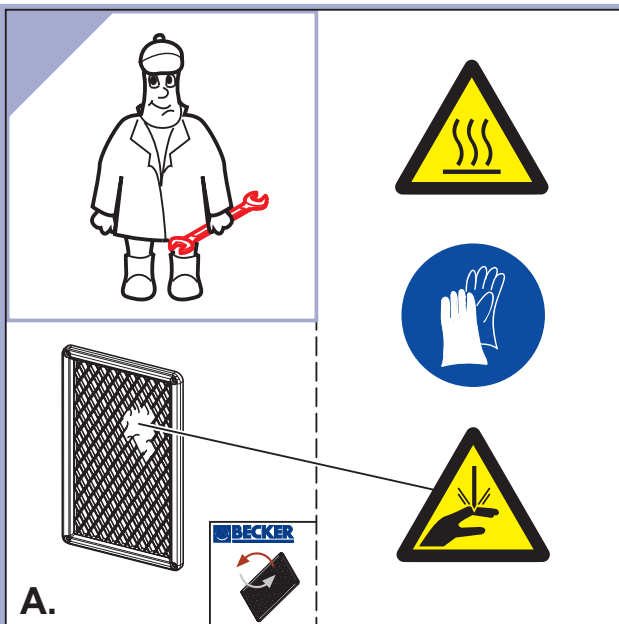
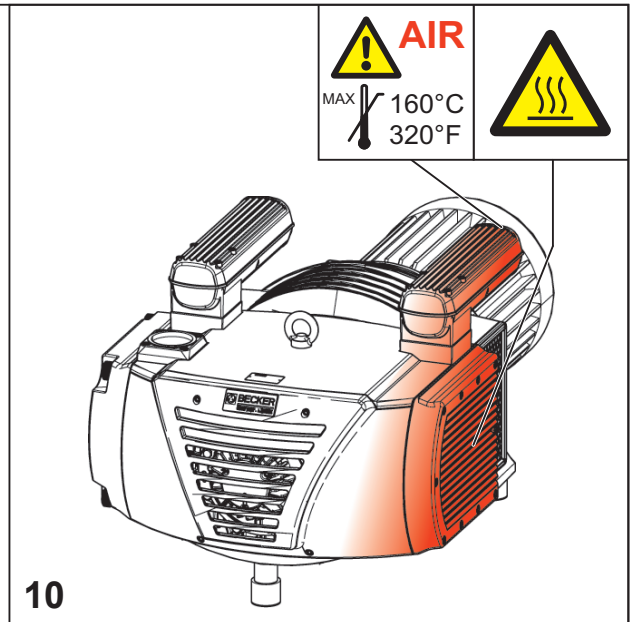
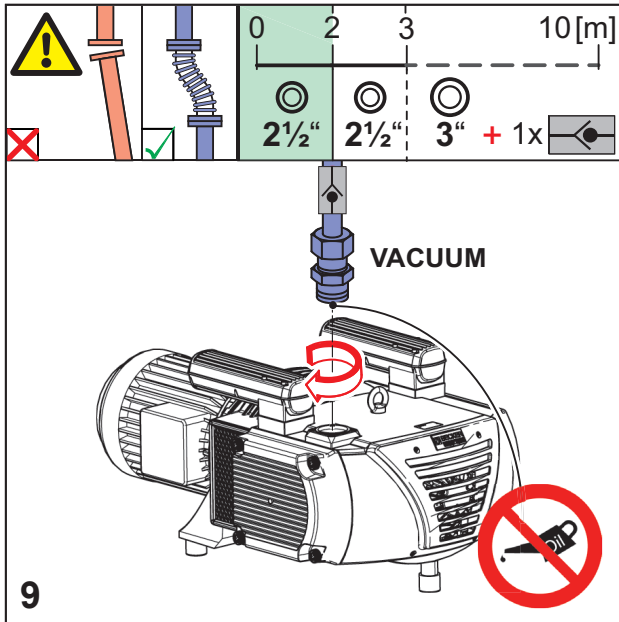
**VTLF 2.200**  
**VTLF 2.250**  
**VTLF 2.360**

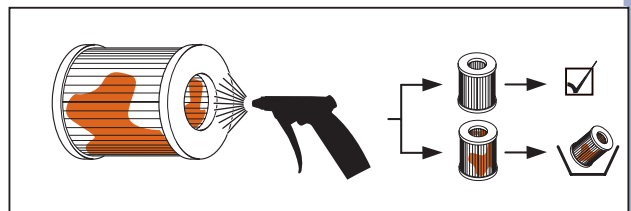
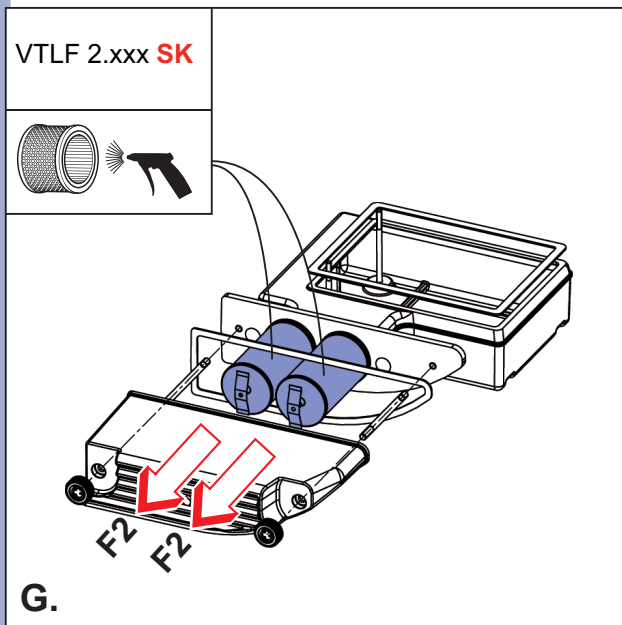
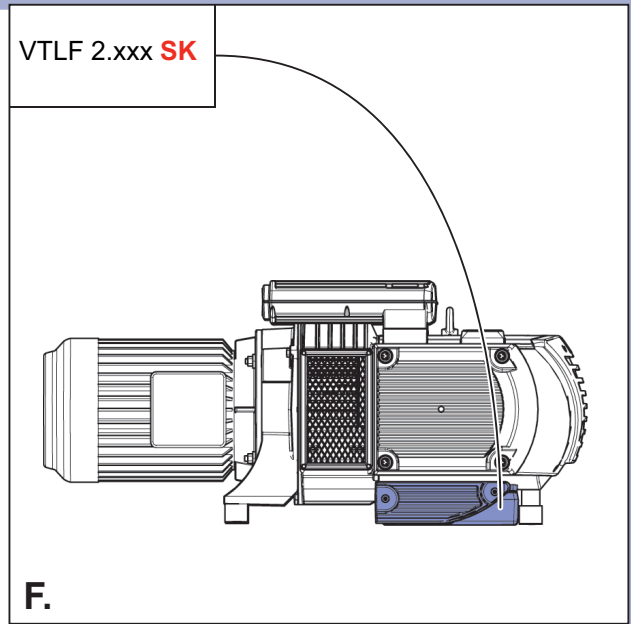
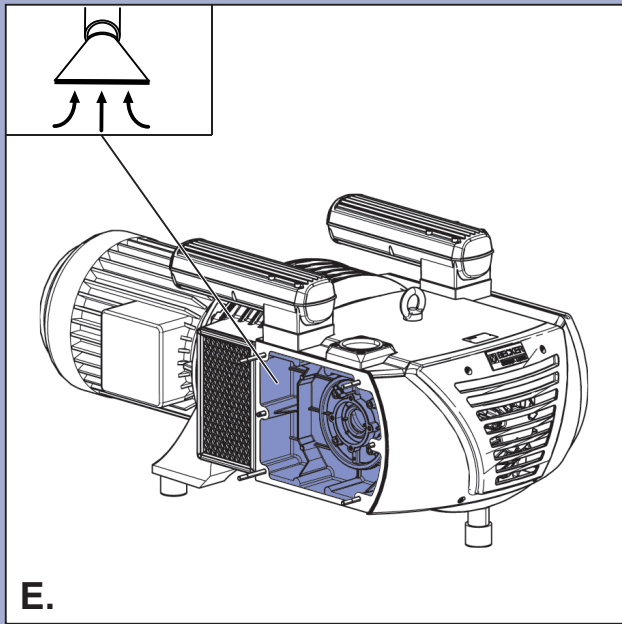
2006/42/EG

		<p><b>MAX. VACUUM</b></p>	<p>mbar</p>
			<p><b>MAX.</b></p>
<p><b>AIR</b></p>		<p>DIN EN ISO 3744</p> <p><math>L_{pA} = 75-80</math> dB(A) - 50Hz  <math>L_{pA} = 77-82</math> dB(A) - 60Hz  <math>K_{pA} = 3</math> dB(A)</p>	

			<p>222-280 kg 490-617 lbs</p>	<p><math>A &gt; 400</math>mm <math>A &gt; 16</math>"</p>	<p><math>&gt; 5^{\circ}\text{C}/41^{\circ}\text{F}</math> <math>&lt; 45^{\circ}\text{C}/113^{\circ}\text{F}</math></p>	<p>max. 90%</p>	<p>max. 800m</p>
<p><b>1</b></p>				<p><b>2</b></p>			





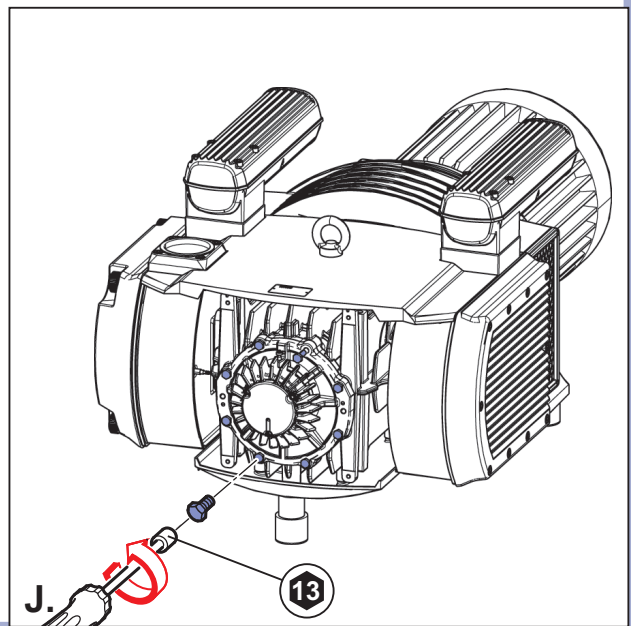
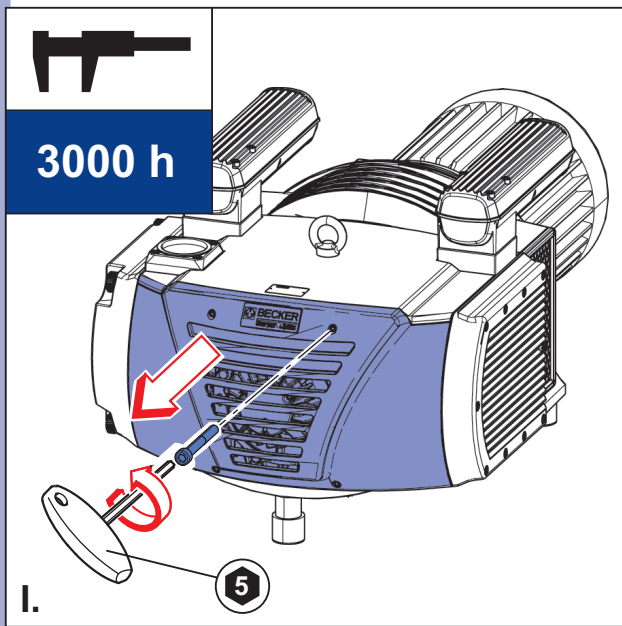


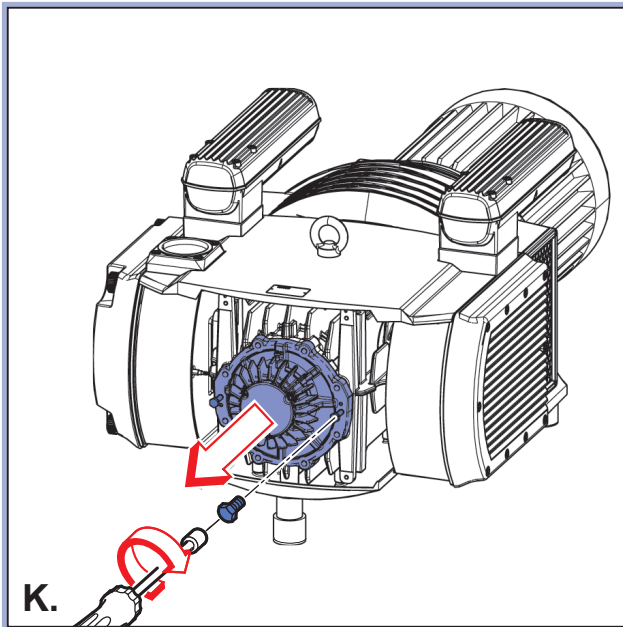
**F1:** D: 218 mm  
H: 122 mm  
No.: **9095120000**

**F1:** (polyester)  
VTLF 2.xxx/6  
No.: **9095960000**

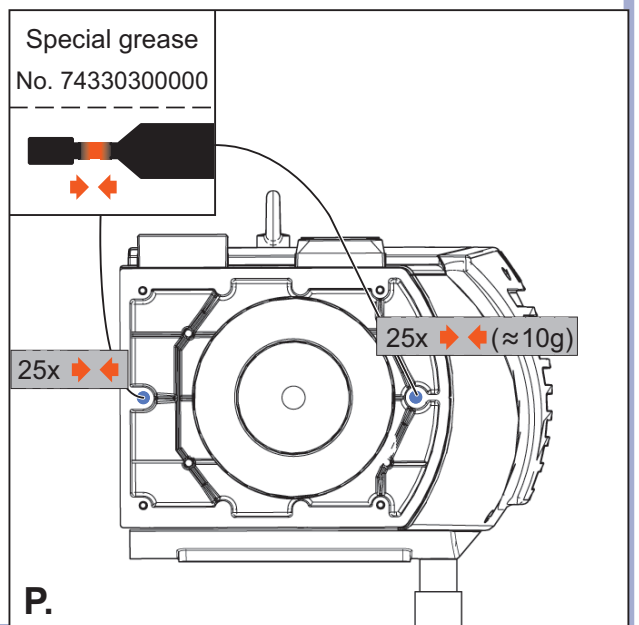
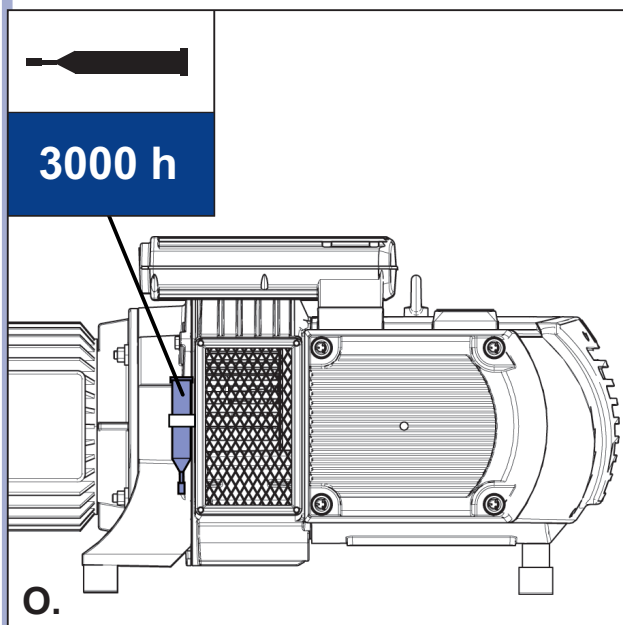
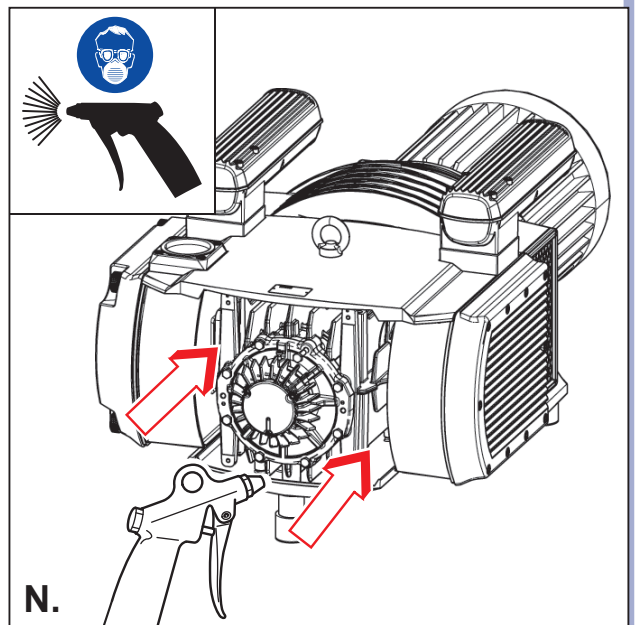
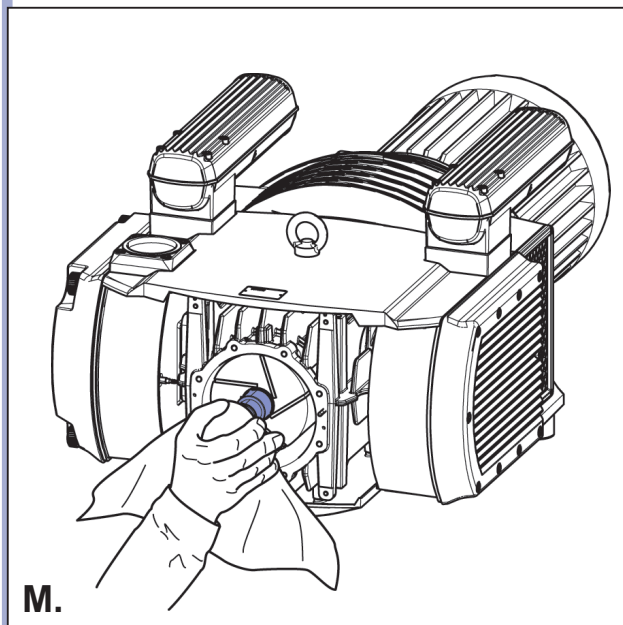
**F2:** D: 64 mm  
H: 120 mm  
2x No.: **9095100000**

EN149 - FFP3  
42 CFR 84 - N100





	<p> <math>A_{MAX} = 65\text{mm}</math>  <math>A_{MIN} = 41\text{mm}</math> </p> <p> <math>A_{\text{fan}} &lt; 41\text{mm}</math> </p>
<p> <b>VTLF 2.200/2.250</b> → No. 90136701005 (SET)  <b>L. VTLF 2.360</b> → No. 90132500005 (SET)         </p>	





The illustration shows a scientist in a white lab coat and a hard hat, holding a magnifying glass over a document. The document has a large question mark in a circle. To the left of the document is a globe. The document itself contains various icons and text, including a warning symbol, a checkmark, and the letters 'AIR'. The document is titled 'Operating Instructions' and 'Instrucciones de servicio'.

Chemtech Scientific provides access to this content as a courtesy.  
We do not own the content contained in this document.  
All rights and credit go directly to its rightful owners.  
[www.chemtechsci.com](http://www.chemtechsci.com)  
Call us at: 484-424-9415



# SERVICE

Chemtech Scientific provides access to this content as a courtesy.  
We do not own the content contained in this document.  
All rights and credit go directly to its rightful owners.  
[www.chemtechsci.com](http://www.chemtechsci.com)  
Call us at: 484-424-9415

