

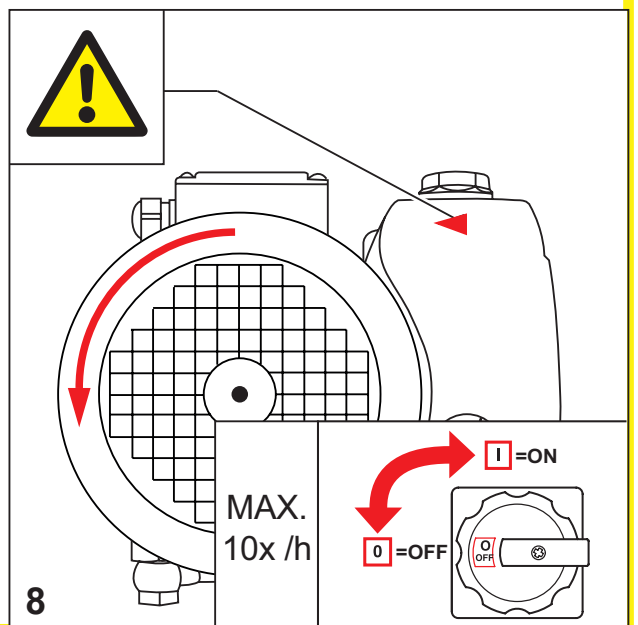
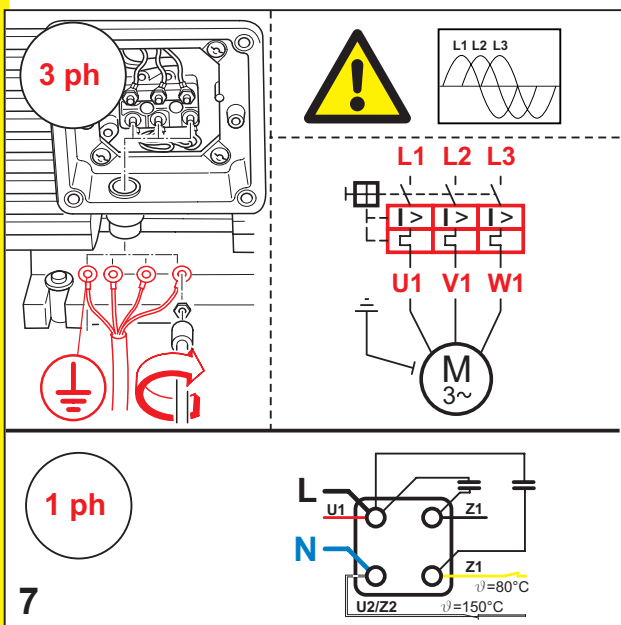
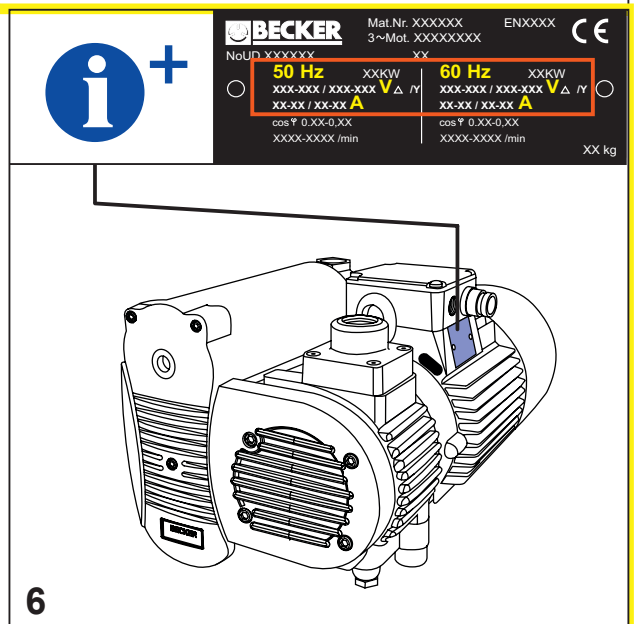
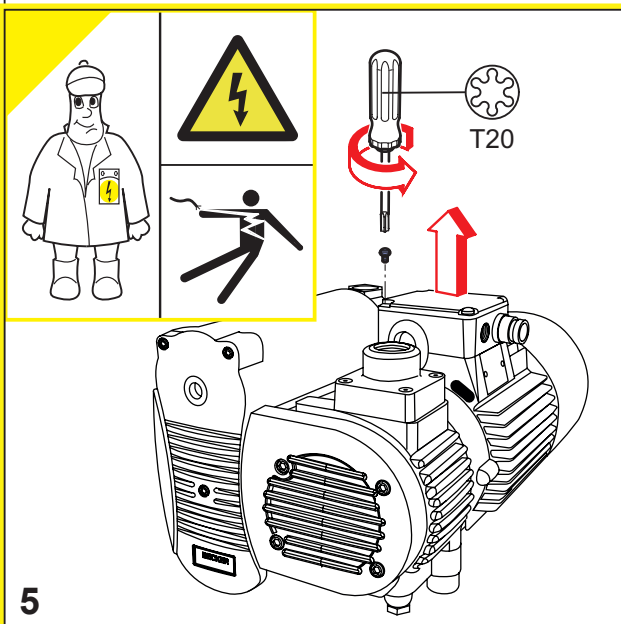
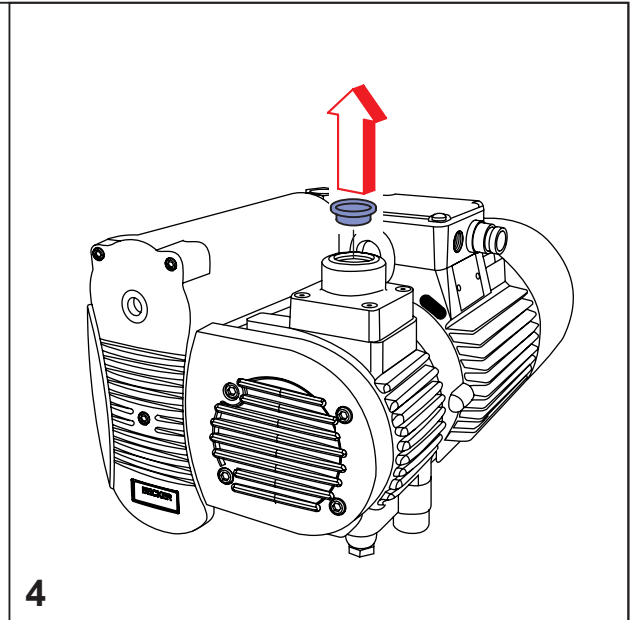
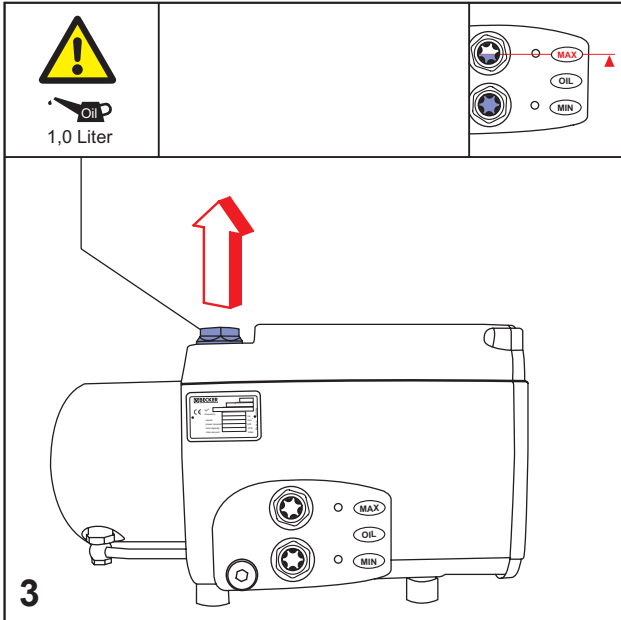
Betriebsanleitung
Operating Instructions
Instructions de service
Istruzioni d'uso
Handleiding
Instrucciones para el manejo
Manual de instruções
Naudojimosi instrukcija
Kasutusjuhend
Lietošanas instrukcija
Driftsinstruks
Driftsinstruktioner
Käyttöohje
Driftsvejledning
Instrukcja obsługi

Kezelési útmutató
Návod k obsluze
Navodilo za uporabo
Návod na obsluhu
Upute za rad
Manual de operatii
Treoracha Oibriúcháin
Οδηγίες χρήσης
EI Kitabi
Инструкции за експлоатация
Инструкция по эксплуатации
取扱説明書
사용설명서
使用说明书

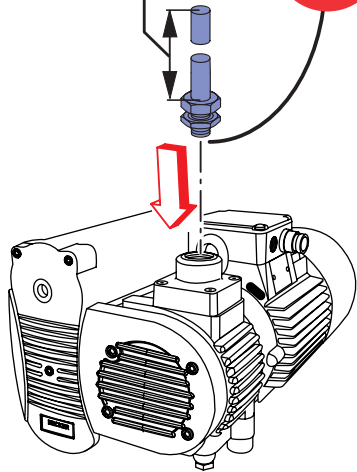
U 4.40

	<p>Becker Lube M/S/SL 100 ▷ 1,0 Liter</p>	<p>MAX. VACUUM</p>	<table border="1"> <tr><td>year</td><td></td></tr> <tr><td>No</td><td></td></tr> <tr><td>type</td><td></td></tr> <tr><td>frequency</td><td>Hz</td></tr> <tr><td>speed</td><td>min⁻¹</td></tr> <tr><td>power required</td><td>kW</td></tr> <tr><td>inlet capacity</td><td>m³/h</td></tr> <tr><td>max. vacuum</td><td>MAX. VACUUM mbar</td></tr> </table> <p>Made in Germany</p>	year		No		type		frequency	Hz	speed	min ⁻¹	power required	kW	inlet capacity	m ³ /h	max. vacuum	MAX. VACUUM mbar
			year																
No																			
type																			
frequency	Hz																		
speed	min ⁻¹																		
power required	kW																		
inlet capacity	m ³ /h																		
max. vacuum	MAX. VACUUM mbar																		
<p>AIR</p>		<p>MAX.</p>	<table border="1"> <tr><td>year</td><td></td></tr> <tr><td>No</td><td></td></tr> <tr><td>type</td><td></td></tr> <tr><td>frequency</td><td>Hz</td></tr> <tr><td>speed</td><td>min⁻¹</td></tr> <tr><td>power required</td><td>kW</td></tr> <tr><td>inlet capacity</td><td>MAX. V m³/h</td></tr> <tr><td>max. vacuum</td><td>mbar</td></tr> </table> <p>Made in Germany</p>	year		No		type		frequency	Hz	speed	min ⁻¹	power required	kW	inlet capacity	MAX. V m ³ /h	max. vacuum	mbar
year																			
No																			
type																			
frequency	Hz																		
speed	min ⁻¹																		
power required	kW																		
inlet capacity	MAX. V m ³ /h																		
max. vacuum	mbar																		
		<p>DIN EN ISO 3744</p> <p>STANDARD</p>	<p>$L_{pA} = 69 \text{ dB(A)} - 50\text{Hz}$ $L_{pA} = 71 \text{ dB(A)} - 60\text{Hz}$ $K_{pA} = 3 \text{ dB(A)}$</p>																

	<p>A > 100mm A > 4"</p>	<p>> 5°C/41°F < 40°C/104°F</p>	<p>max. 90%</p>	<p>max. 800m ↑</p>
<p>1</p> <p>38,0 kg 83,8 lbs</p>	<p>2</p>			

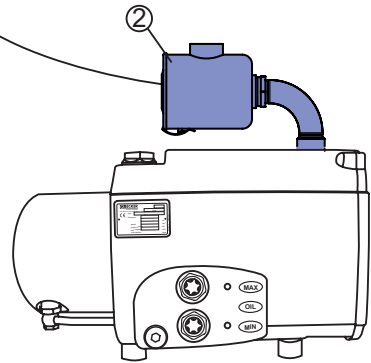
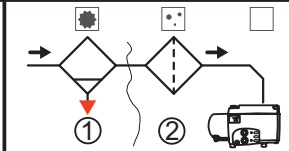
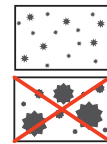


< 2m $\phi 1''$
 > 2m...10m $\phi 1\frac{1}{2}''$



9

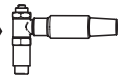
optional
 en option
 optionale
 opcional



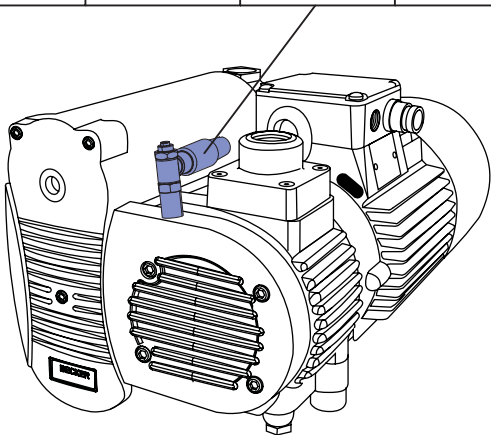
10



? AIR

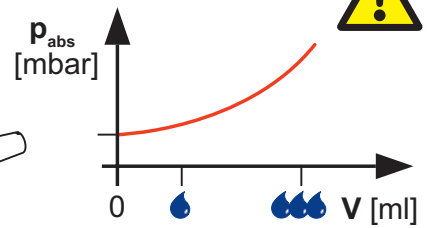
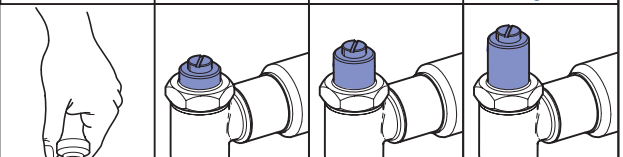
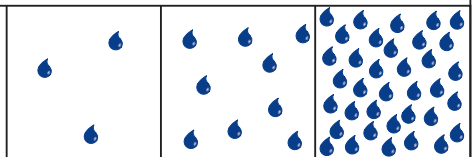


optional
 en option
 optionale
 opcional



11

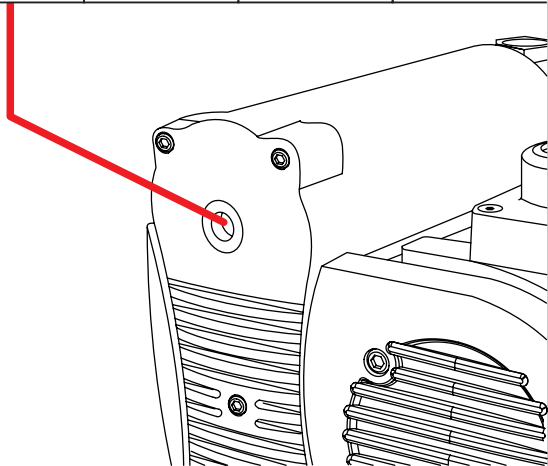
AIR



12



~~PSI~~
 PRESSURE



13

Chemtech Scientific provides access to this content as a courtesy.
 We do not own the content contained in this document.
 All rights and credit go directly to its rightful owners.
www.chemtechsci.com
 Call us at: 484-424-9415



A.

B.

C.

MAX
MIN

40 h

Becker Lube
M/S/SL 100

D.

E.

1. = 100 h
2. = 500 h
3. = 1.000 h
... (min. 2x/a)

Oil

F.

1,0 Liter

40 - 200 h **AIR ?**

G.

1000 h

1. 2.

H.

2000 h

T [°C]

T₀

t [h]

I.

Pos. 58
No.: 96541400000

J.

Clean

K.

Chemtech Scientific provides access to this content as a courtesy.
We do not own the content contained in this document.
All rights and credit go directly to its rightful owners.
www.chemtechsci.com
Call us at: 484-424-9415

Chemtech Scientific provides access to this content as a courtesy.
We do not own the content contained in this document.
All rights and credit go directly to its rightful owners.
www.chemtechsci.com
Call us at: 484-424-9415

Chemtech
Scientific

SERVICE

Chemtech Scientific provides access to this content as a courtesy.
We do not own the content contained in this document.
All rights and credit go directly to its rightful owners.
www.chemtechsci.com
Call us at: 484-424-9415

