

Betriebsanleitung
Operating Instructions
Instructions de service
Istruzioni d'uso
Handleiding
Instrucciones para el manejo
Manual de instruções
Naudojimosi instrukcija
Kasutusjuhend
Lietošanas instrukcija
Driftsinstruks
Driftsinstruktioner
Käyttöohje
Driftsvejledning
Instrukcja obsługi


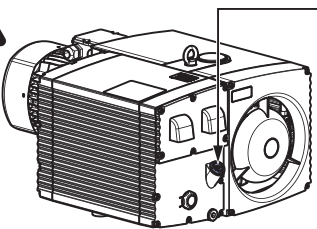


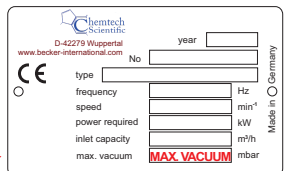

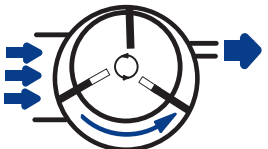




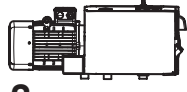
Kezelési útmutató
Návod k obsluze
Navodilo za uporabo
Návod na obsluhu
Upute za rad
Manual de operatii
Treoracha Oibriúcháin
Οδηγίες χρήσης
Ei Kitabi
Инструкции за експлоатация
Инструкция по эксплуатации
取扱説明書
사용설명서
使用说明书


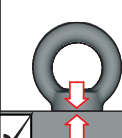


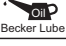
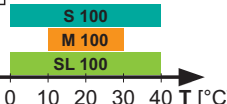


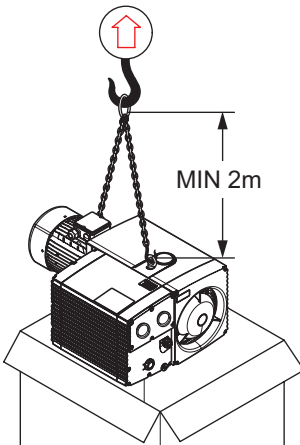


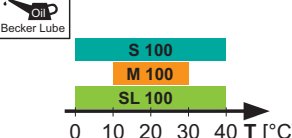
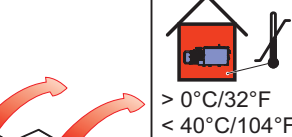
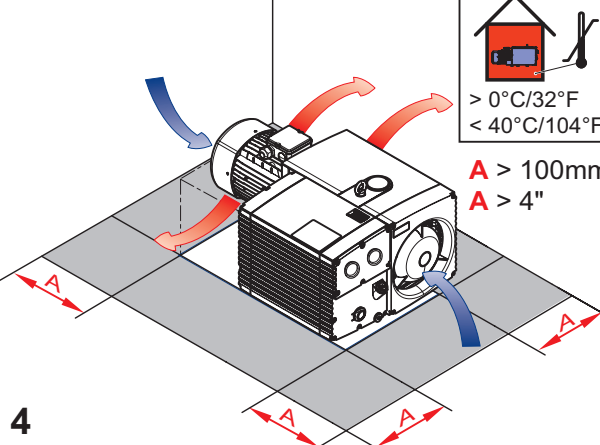
U 5.165





2006/42/EG



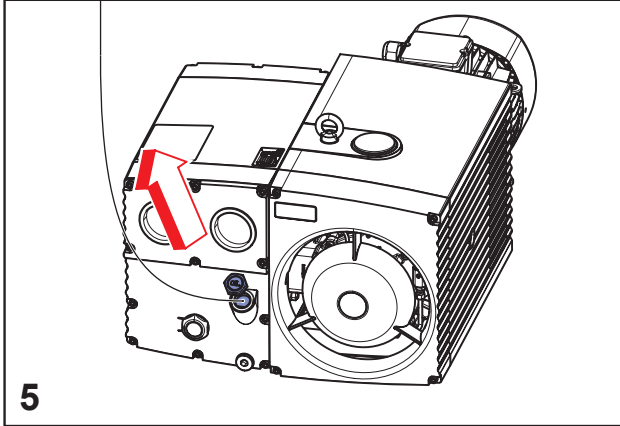
DIN EN ISO 9001
001929 QM
DIN EN ISO 14001:2015

  Becker Lube M/S/SL 100 ▷ 5.0 Liter 	 MAX. VACUUM		mbar
		 MAX.	
 <input checked="" type="checkbox"/> AIR 1	   	 DIN EN ISO 3744 2	L_{pA} = 70 dB(A) - 50Hz L_{pA} = 72 dB(A) - 60Hz K_{pA} = 3 dB(A) m³/h

    104 kg 230 lbs	  S 100 M 100 SL 100 0 10 20 30 40 T [°C]	Avoid condensation  max. 90%	 ≤1000m >1000m Please consult BECKER
 MIN 2m  		 > 0°C/32°F < 40°C/104°F A > 100mm A > 4"	 4

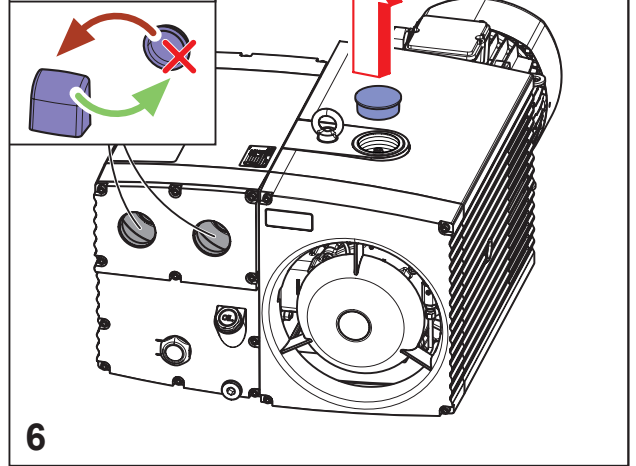





▶ E4
5.0 Liter
MAX




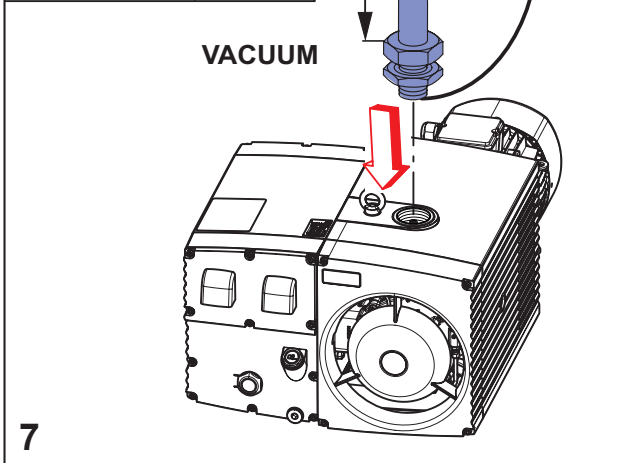


exhaust air has to escape without back-pressure (max. +0,1bar)

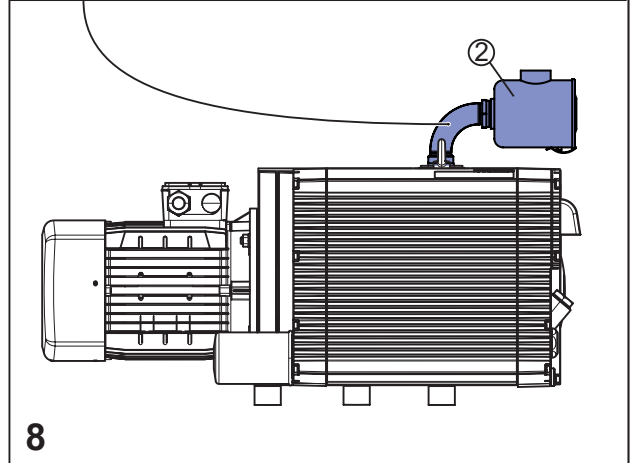



Standard	
≤ 2m	φ2"
> 2m...10m	φ2½"

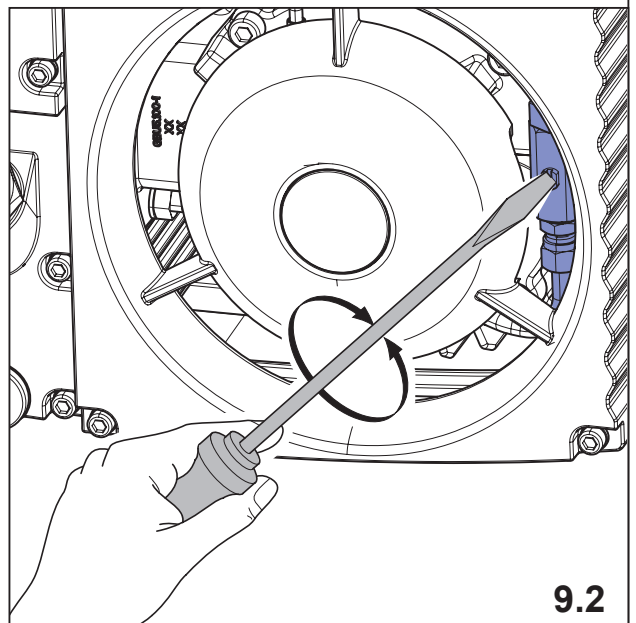
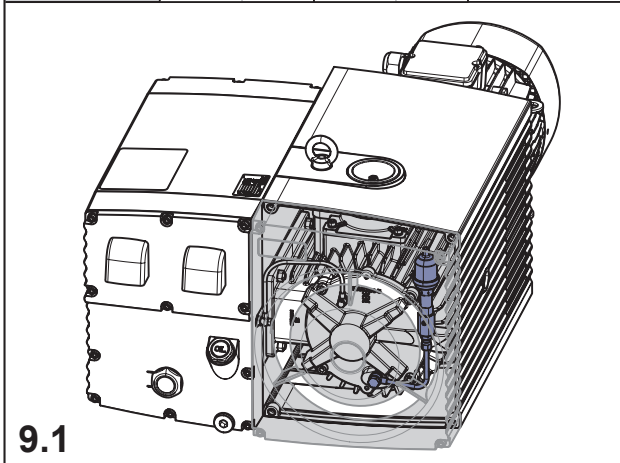


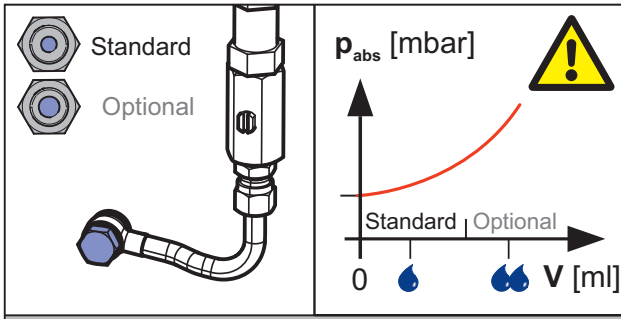


optional
 en option
 optionale
 opcional



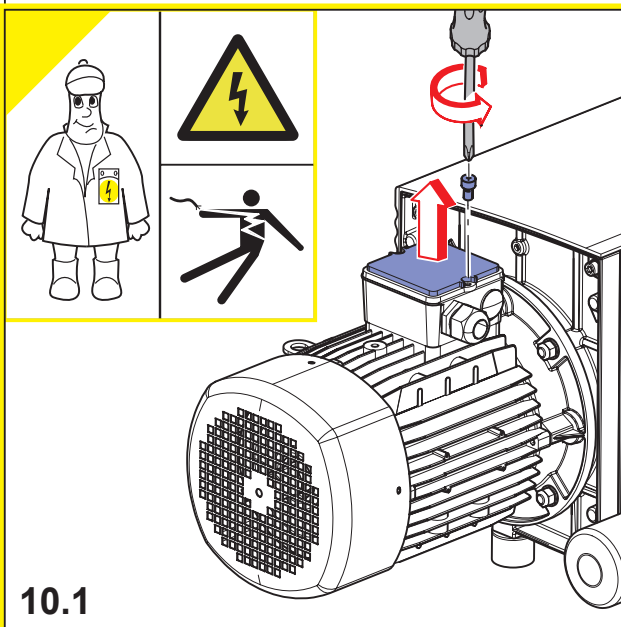

AIR
 ?



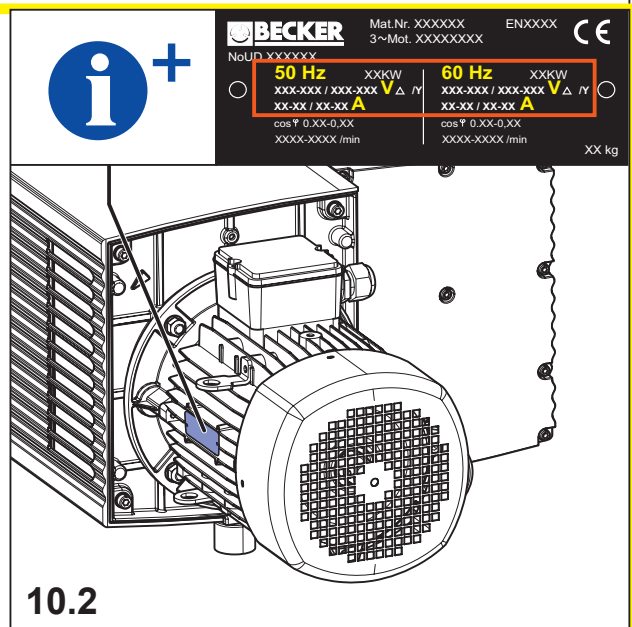


Standard	0.1/0.5 mbar [abs] No.:54840054200
Optional	0.1/3.0 mbar [abs] No.:54840154200

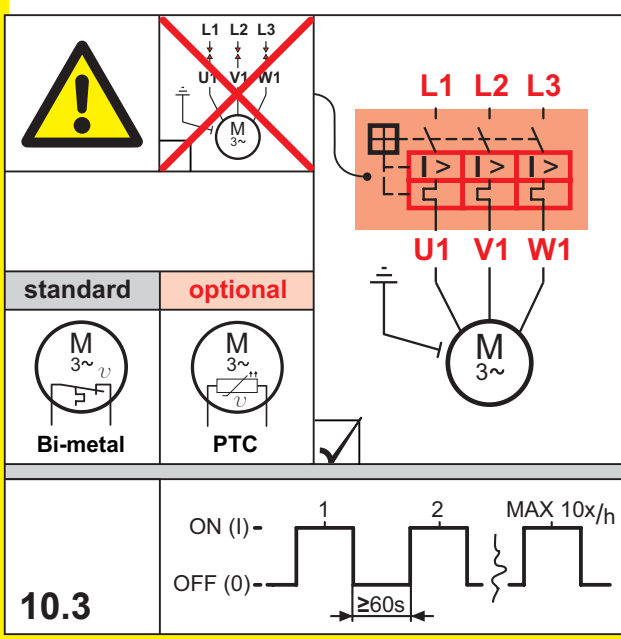
9.3



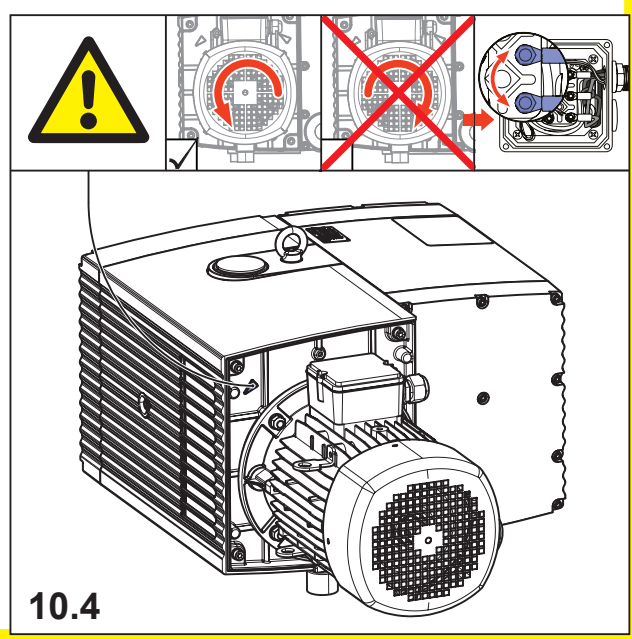
10.1



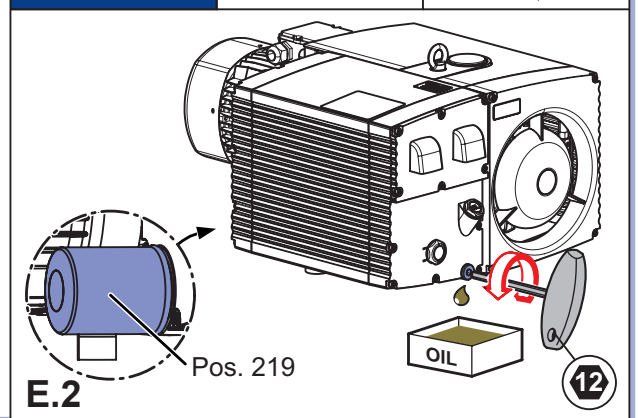
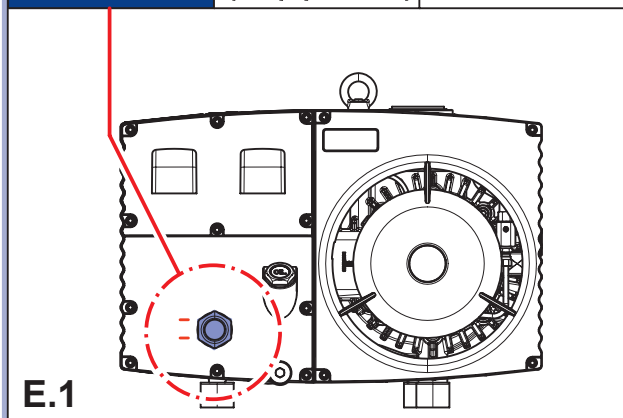
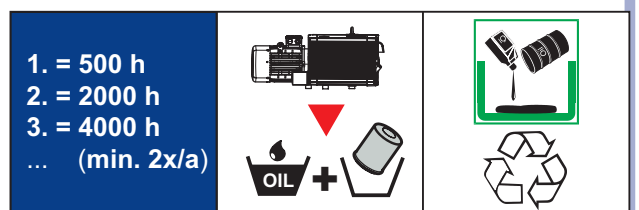
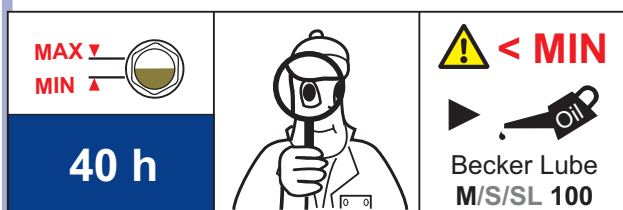
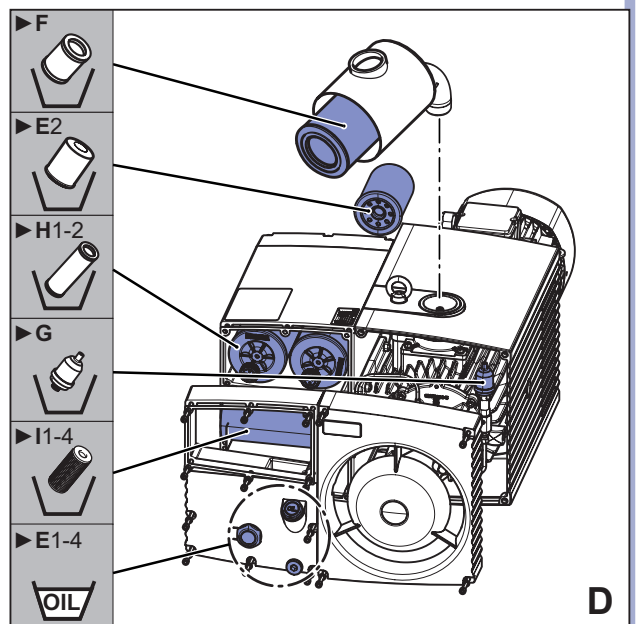
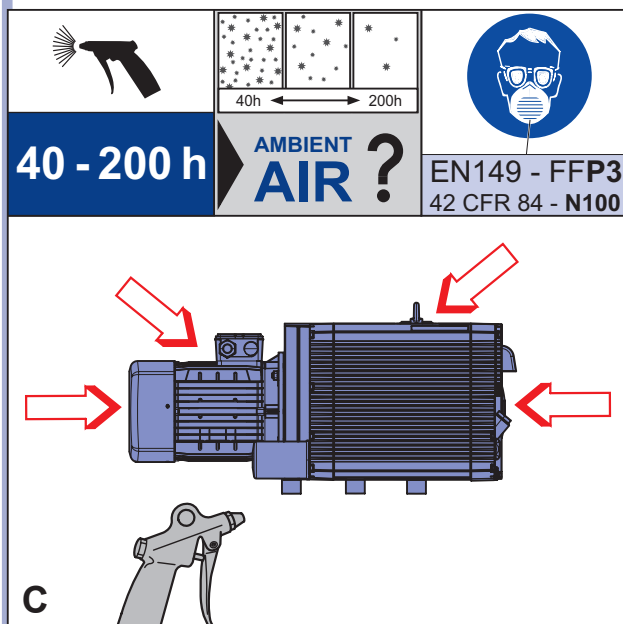
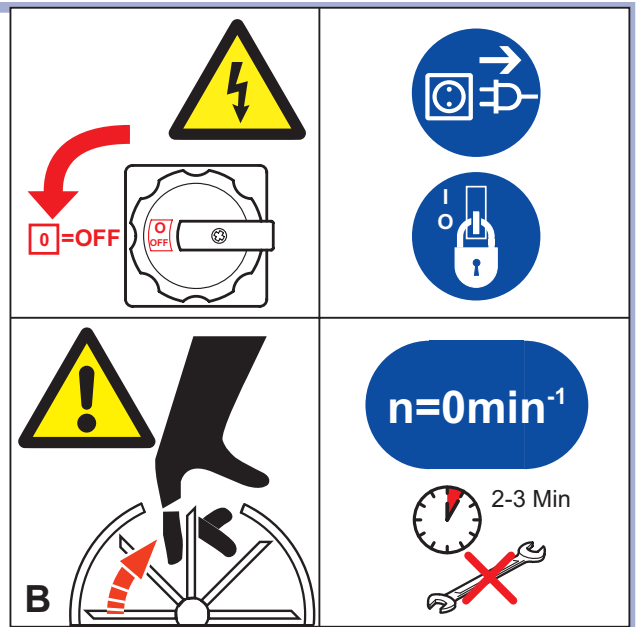
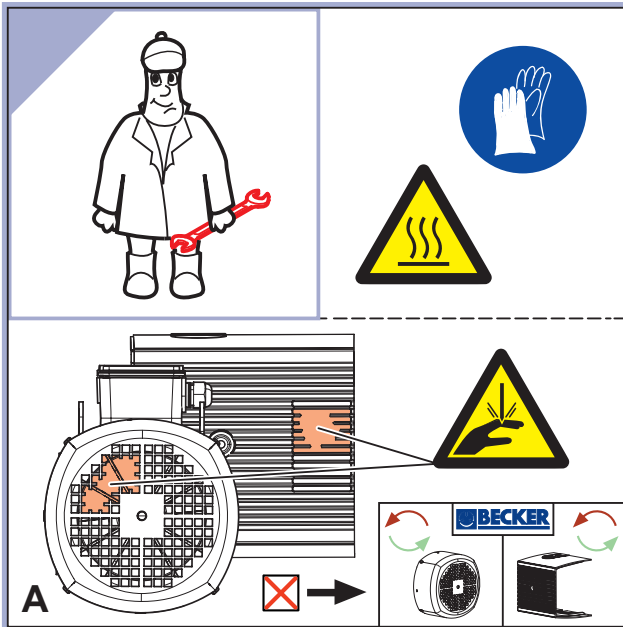
10.2



10.3



10.4



E4 **Oil**

5.0 Liter

MAX

E.3

Oil

S 100
M 100
SL 100

0 10 20 30 40 T [°C]

Becker Lube M 100
(Mineral oil)

- 1 Liter	96000900000
- 5 Liter	96000900200

Becker Lube S 100
(Synthetic oil)

- 1 Liter	96001600100
- 5 Liter	96001600200

Becker Lube SL 100
(Food)

- 1 Liter	96002300100
- 5 Liter	96002300200

E.4

MIN 1x/a

40h → 200h

40 - 200 h **INTAKE AIR ?**

F

MIN 1x/a

Pos. 455

G

MAX 2000 h **INTAKE AIR ?** **VACUUM**

0-400 mbar abs. ~~400 mbar abs. not permitted~~

500h → 2000h

11x **11Nm**

H.1

T [°C]

T_{fl}
T_{MAX}

2000 t [h]

Pos. 269

1.

2.

Pos. 235

H.2

