
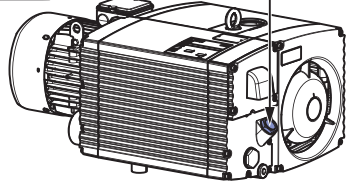


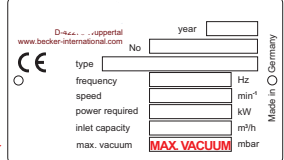

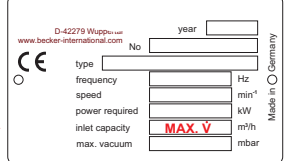






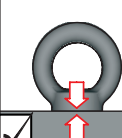


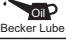
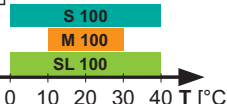

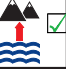

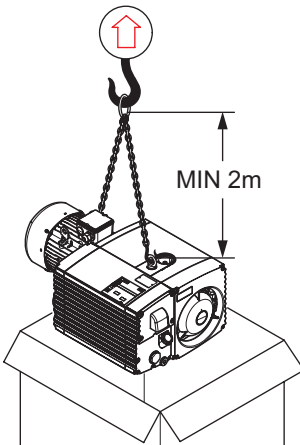


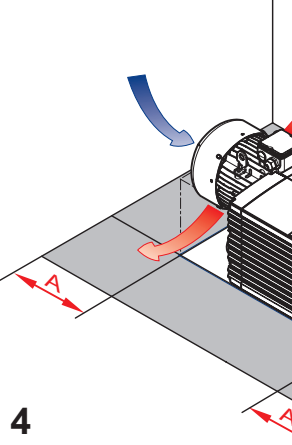

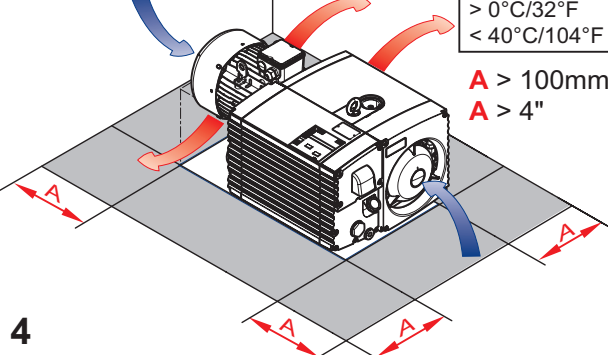






# U 5.70

**Betriebsanleitung**  
**Operating Instructions**  
**Instructions de service**  
**Istruzioni d'uso**  
**Handleiding**  
**Instrucciones para el manejo**  
**Manual de instruções**  
**Naudojimosi instrukcija**  
**Kasutusjuhend**  
**Lietošanas instrukcija**  
**Driftsinstruks**  
**Driftsinstruktioner**  
**Käyttöohje**  
**Driftsvejledning**  
**Instrukcja obsługi**

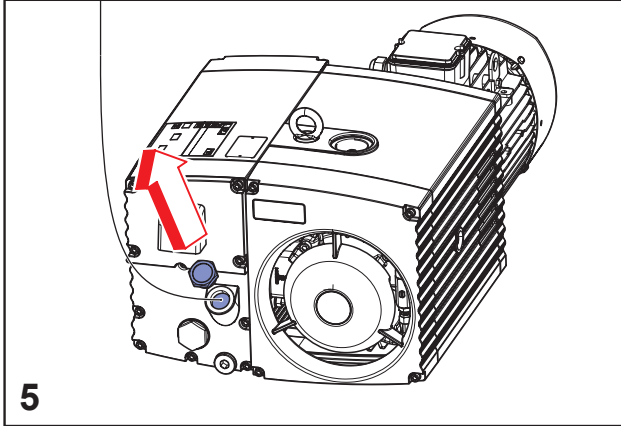
**Kezelési útmutató**  
**Návod k obsluze**  
**Navodilo za uporabo**  
**Návod na obsluhu**  
**Upute za rad**  
**Manual de operatii**  
**Treoracha Oibriúcháin**  
**Οδηγίες χρήσης**  
**Ei Kitabi**  
**Инструкции за експлоатация**  
**Инструкция по эксплуатации**  
**取扱説明書**  
**사용설명서**  
**使用说明书**

  <b>Becker Lube</b> <b>M/S/SL 100</b> ▷ 2,0 Liter	 <b>Oil</b> <b>M/S/SL 100</b> ▷ 2,0 Liter	 <b>MAX. VACUUM</b>		mbar
			 <b>MAX.</b>	
 <input checked="" type="checkbox"/> <b>AIR</b> <b>1</b>	   	<b>DIN EN</b> <b>ISO 3744</b> <b>2</b>	$L_{pA} = 64 \text{ dB(A)} - 50\text{Hz}$ $L_{pA} = 67 \text{ dB(A)} - 60\text{Hz}$ $K_{pA} = 3 \text{ dB(A)}$	

    <b>60,5 kg</b> <b>133 lbs</b>	  <b>S 100</b> <b>M 100</b> <b>SL 100</b> 0 10 20 30 40 T [°C]	<b>Avoid condensation</b>  <b>max. 90%</b>	 $\leq 1000\text{m}$ $> 1000\text{m}$ <b>Please consult</b> 
 <b>MIN 2m</b>  	 <b>4</b>	 $> 0^\circ\text{C}/32^\circ\text{F}$ $< 40^\circ\text{C}/104^\circ\text{F}$ $A > 100\text{mm}$ $A > 4"$	

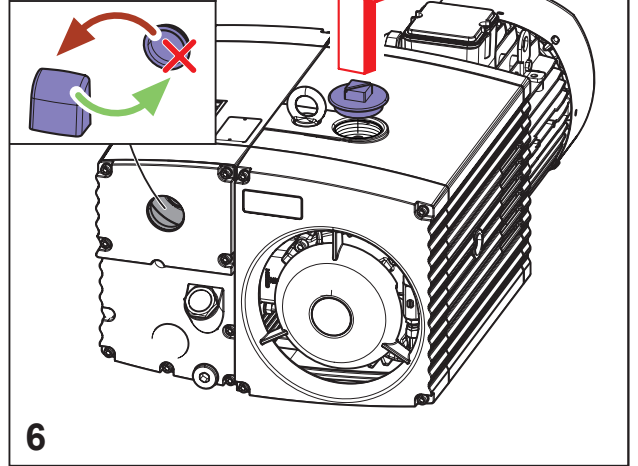





▶ E4  
**2.0 Liter**  
**MAX**




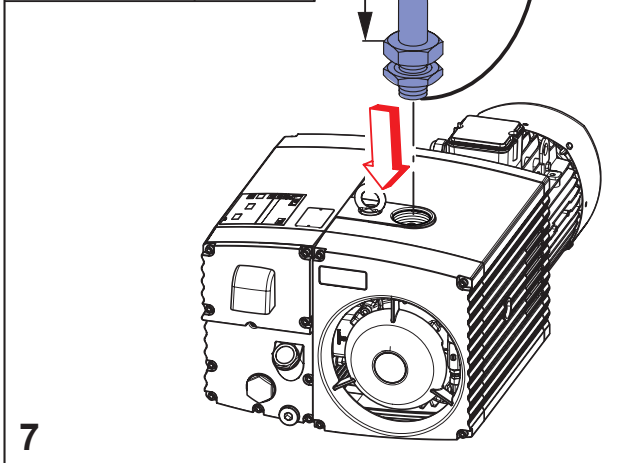


exhaust air has to escape without back-pressure (max. +0,1bar)

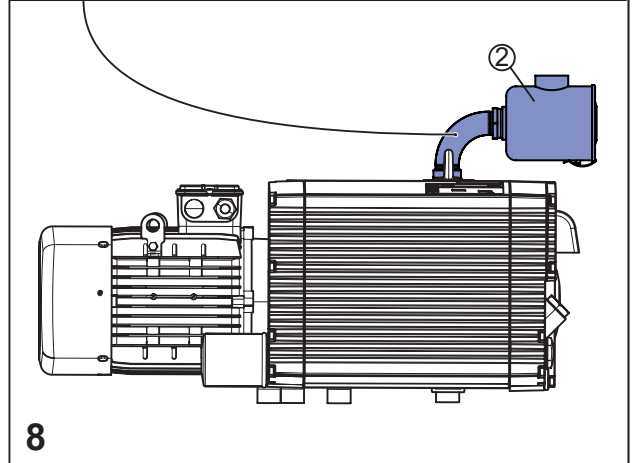



Standard	
≤ 2m	φ 1¼"
> 2m...10m	φ 1½"

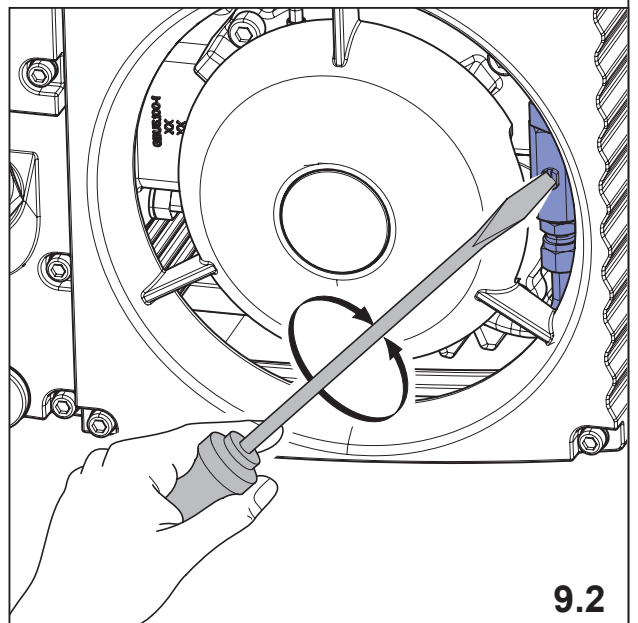
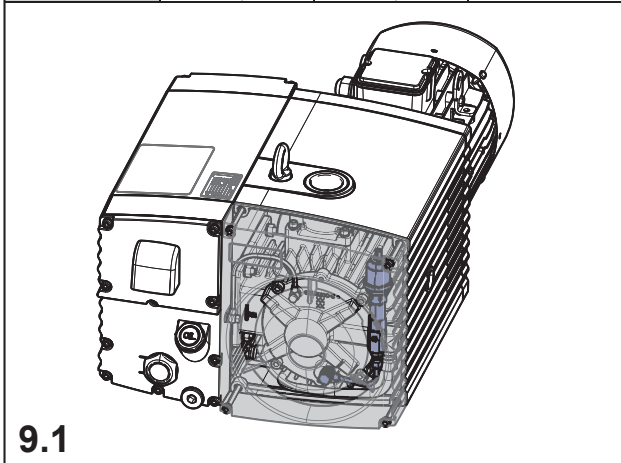


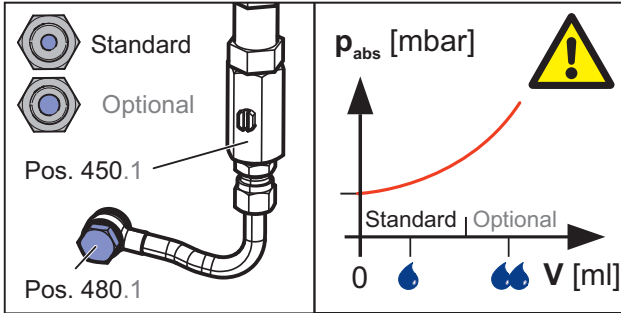


optional  
 en option  
 optionale  
 opcional

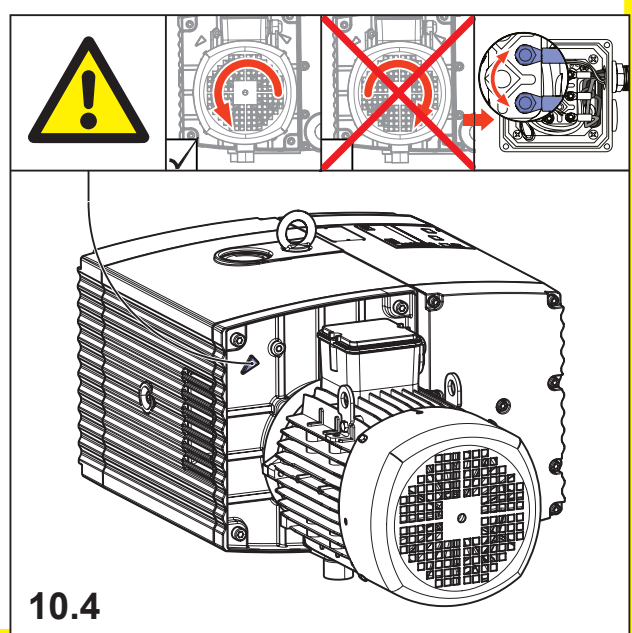
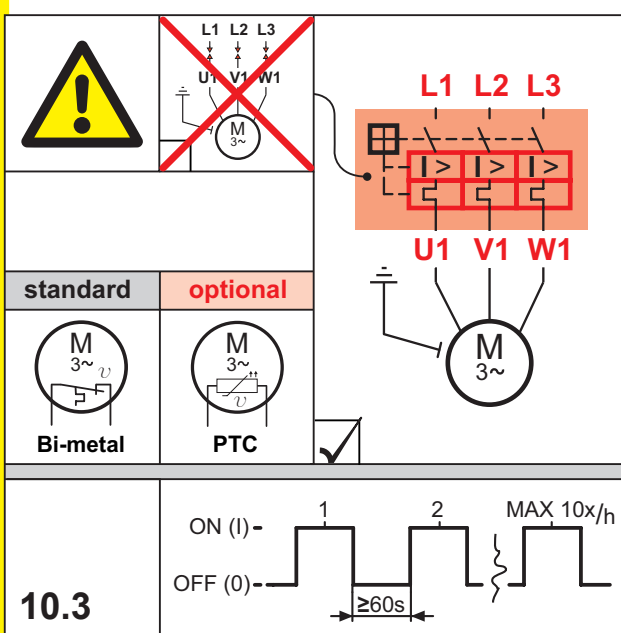
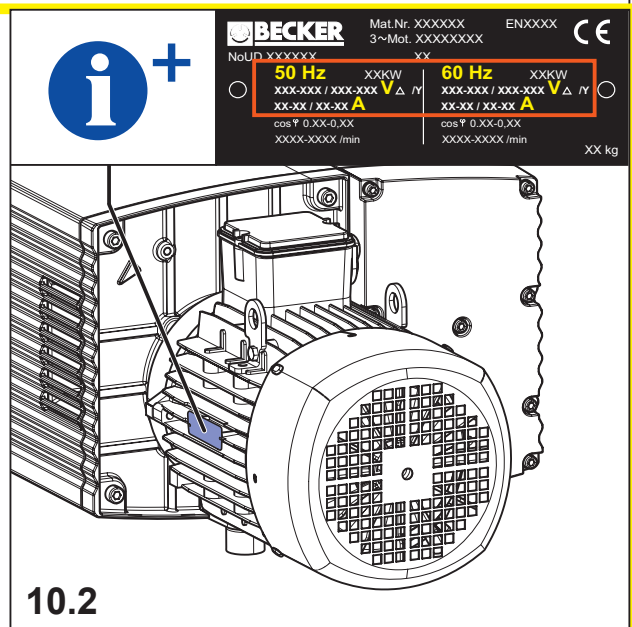
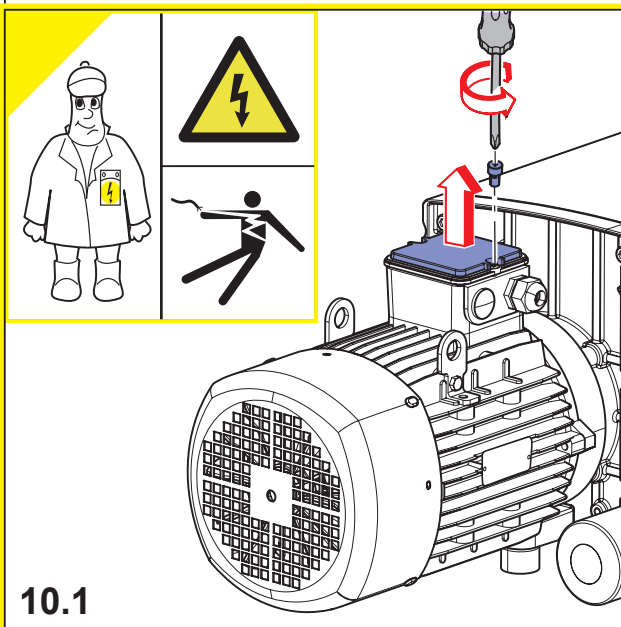
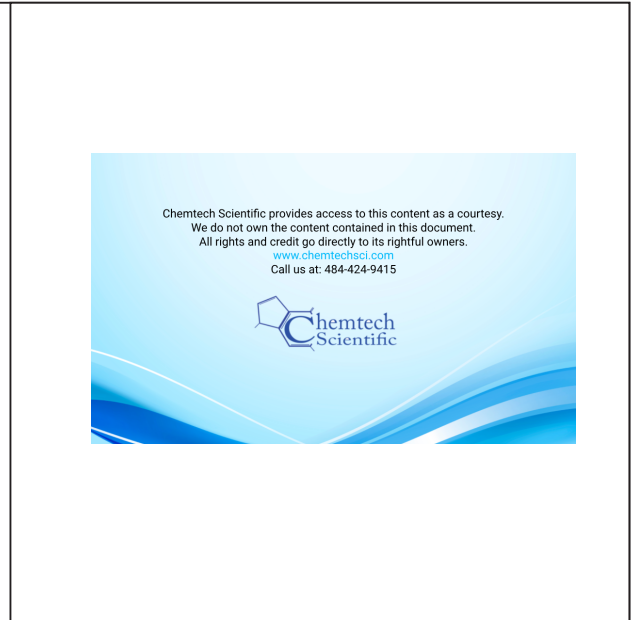


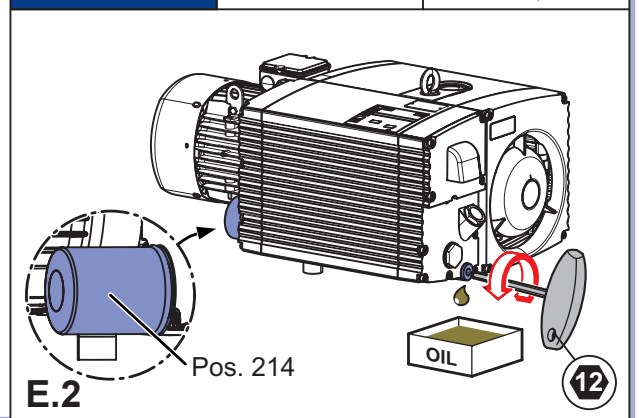
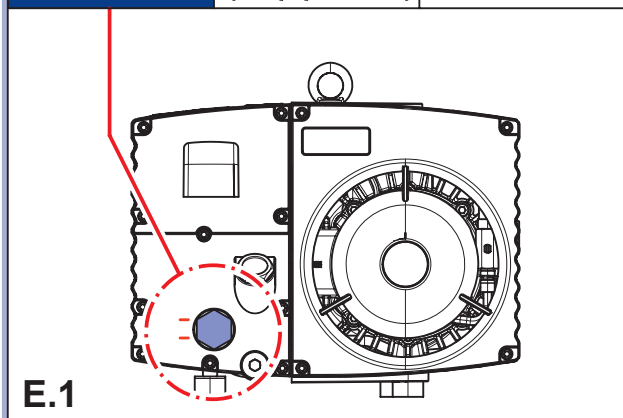
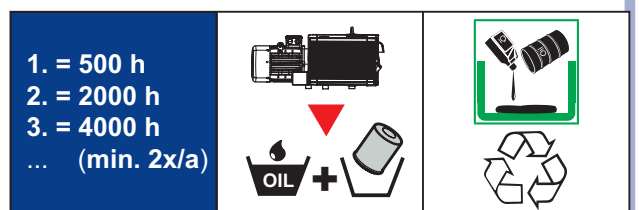
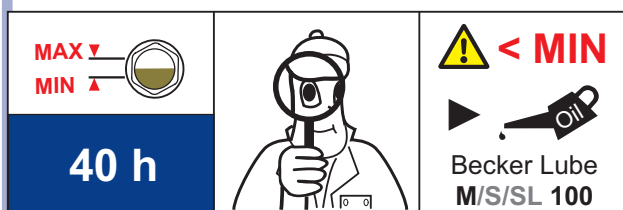
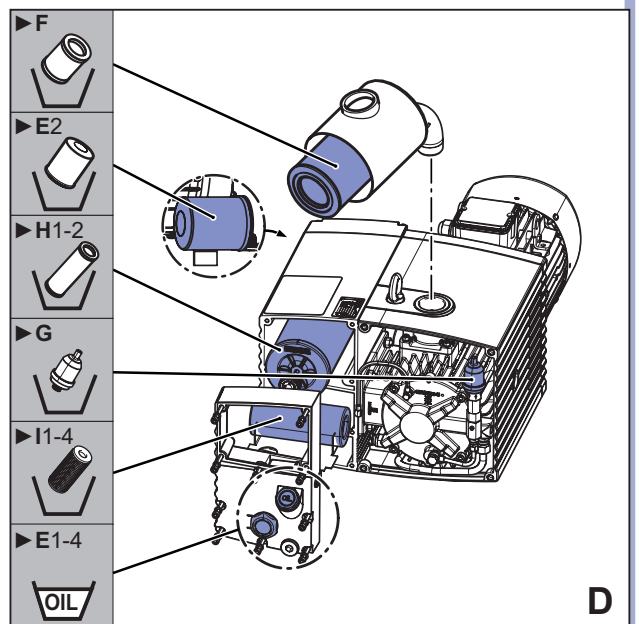
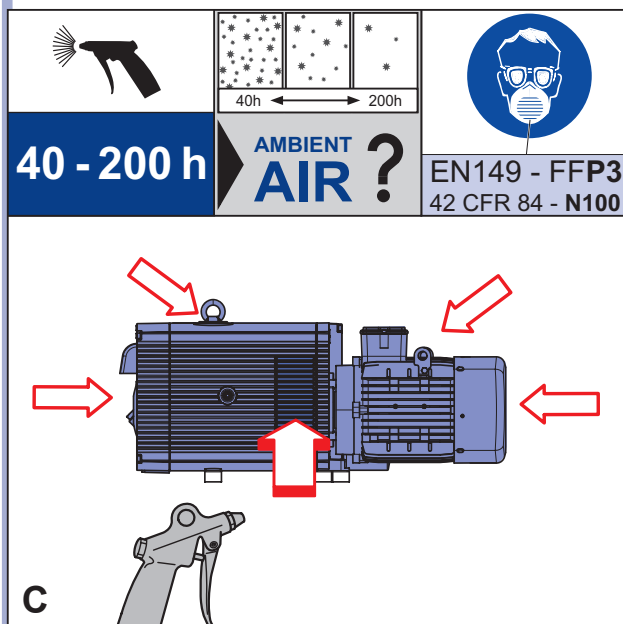
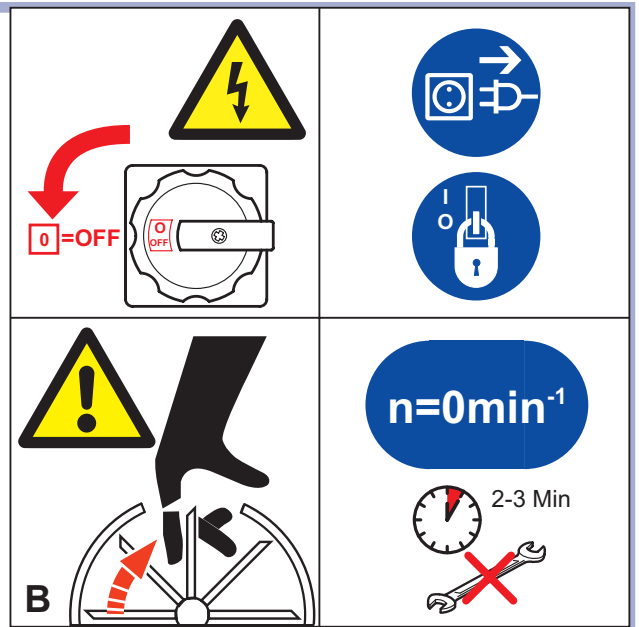
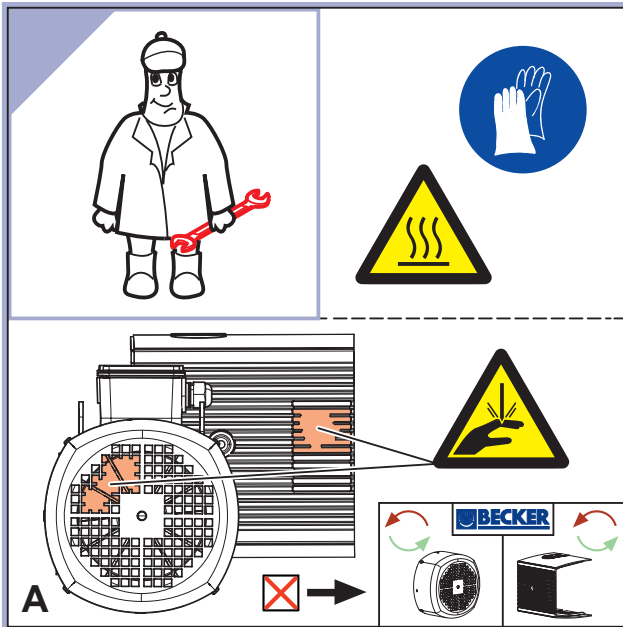

**AIR**  
 ?





<b>Standard</b>	<b>0.1/0.5 mbar [abs]</b>
Pos. 450	No.:76875199626
Pos. 480	No.:54840054100
<b>Optional</b>	<b>0.1/3.0 mbar [abs]</b>
Pos. 450.1	No.:76875499626
Pos. 480.1	No.:54840254200
<b>9.3</b>	







**E4** **Oil**

**2.0 Liter**

**MAX**

**E.3**

**Oil**

**S 100**  
**M 100**  
**SL 100**

0 10 20 30 40 T [°C]

**Becker Lube M 100**  
(Mineral oil)

- 1 Liter	96000900000
- 5 Liter	96000900200

**Becker Lube S 100**  
(Synthetic oil)

- 1 Liter	96001600100
- 5 Liter	96001600200

**Becker Lube SL 100**  
(Food)

- 1 Liter	96002300100
- 5 Liter	96002300200

**E.4**

**MIN**

**1x/a**

**40 - 200 h** **INTAKE AIR ?**

40h → 200h

**F**

**MIN**

**1x/a**

Pos. 576

**G**

**MAX** **2000 h** **INTAKE AIR ?** **VACUUM**

0-400 mbar abs. ~~400 mbar abs. not permitted~~

500h → 2000h

**10x** **14Nm**

**H.1**

T [°C]

T<sub>fl</sub> T<sub>MAX</sub>

2000 t [h]

Pos. 233

1. 2.

Pos. 222

**H.2**

