

# *Instruction Manual*

## Active Inverted Magnetron Gauge

Description	Item Number
AIM-S-NW25	D146-41-000
AIM-SL-NW25	D146-44-000
AIM-X-NW25	D146-42-000
AIM-XL-NW25	D146-45-000

Chemtech Scientific provides access to this content as a courtesy.  
We do not own the content contained in this document.  
All rights and credit go directly to its rightful owners.  
[www.chemtechsci.com](http://www.chemtechsci.com)  
Call us at: 484-424-9415



# Contents

Section	Page
<b>1 Introduction</b> .....	<b>1</b>
1.1 Scope and definitions .....	1
1.2 Description .....	1
1.3 Gas dependency .....	2
<b>2 Technical data</b> .....	<b>5</b>
2.1 Mechanical data .....	5
2.2 Performance, operating and storage conditions .....	5
2.3 Electrical data .....	7
2.4 Error monitoring .....	7
2.5 Materials exposed to vacuum .....	8
<b>3 Installation</b> .....	<b>9</b>
3.1 Unpack and inspect .....	9
3.2 Fit the AIM Gauge to the vacuum system .....	9
3.3 Electrical connections .....	9
3.3.1 Connect to Edwards controllers or AGD display .....	9
3.3.2 Connect to your own supply and control equipment .....	9
<b>4 Operation</b> .....	<b>13</b>
4.1 Safety .....	13
4.2 Enable and disable the AIM Gauge .....	13
4.3 Pressure measurement .....	13
4.4 Set-point .....	14
<b>5 Maintenance</b> .....	<b>15</b>
5.1 Introduction .....	15
5.2 Replace the body tube .....	15
5.2.1 Remove the AIM Gauge from the vacuum system .....	15
5.2.2 Fit the new body tube .....	15
5.2.3 Refit the AIM Gauge to the vacuum system .....	15
5.3 Replace the electrode assembly .....	17
5.4 Replace the electronics and magnet housing .....	17
5.5 Clean the internal components .....	17
5.6 Fault finding .....	18
<b>6 Storage and disposal</b> .....	<b>19</b>
6.1 Storage .....	19
6.2 Disposal .....	19
<b>7 Spares and accessories</b> .....	<b>21</b>
7.1 Introduction .....	21
7.2 Spares .....	21
7.3 Accessories .....	21

For return of equipment, complete the HS Forms at the end of this manual.

## Illustrations

Figure	Page
1	General view of the AIM Gauge (showing the NW25 flange) ..... 3
2	Dimensions (mm) ..... 6
3	Schematic diagram of typical electrical connections .....10
4	Exploded view of the AIM Gauge .....16

## Tables

Table	Page
1	Pins on the AIM Gauge electrical connector socket .....11
2	Pressure and voltage characteristics for nitrogen and dry air: AIM-S and AIM-SL Gauges .....14

# 1 Introduction

## 1.1 Scope and definitions

This manual provides installation, operation and maintenance instructions for the Edwards AIM Gauge (Active Inverted Magnetron Gauge). You must use the AIM Gauge as specified in this manual.

Read this manual before you install and operate the AIM Gauge. Important safety information is highlighted as WARNING and CAUTION instructions; you must obey these instructions. The use of WARNINGS and CAUTIONS is defined below.



### **WARNING**

Warnings are given where failure to observe the instruction could result in injury or death to people.

### **CAUTION**

Cautions are given where failure to observe the instruction could result in damage to the equipment, associated equipment or process.

The units used throughout this manual conform to the SI international system of units of measurement.

The following warning symbol also appears on the product:



## 1.2 Description

The AIM Gauge, shown in [Figure 1](#), is an inverted magnetron gauge head and gauge controller in a single compact unit. The gauge operates as a cold cathode ionisation gauge, in which the pressure is measured indirectly as a function of the current which flows in a Townsend discharge maintained in the body tube.

Four versions of AIM Gauge are available; the 'S', 'SL', 'X' and 'XL' gauges. The 'X' and 'XL' gauges have an extended measurement range (see below) and a linear output characteristic. The 'SL' and 'XL' gauges have a very low external magnetic field and are suitable for use with sensitive analytical instrumentation.

The measurement range of the AIM-S and AIM-SL gauges is  $1 \times 10^{-8}$  to  $1 \times 10^{-2}$  mbar. The measurement range of the AIM-X and AIM-XL gauges is  $1 \times 10^{-9}$  to  $1 \times 10^{-2}$  mbar. The AIM gauge vacuum connection is an NW25 flange.

The AIM Gauge requires a 13.5 to 36 V d.c. power supply: it has a 2 to 10 V d.c. analogue output which is related to pressure. The AIM Gauge is compatible with all of the Edwards AGCs (Active Gauge Controllers) and with the appropriate versions of the Edwards AGDs (Active Gauge Displays).

Alternatively, you can use an independent power supply for the AIM Gauge and you can read the AIM Gauge output signal with a voltmeter or an analogue-to-digital converter.

We recommend that you do not operate the AIM Gauge unless the pressure in the vacuum system is  $1 \times 10^{-2}$  mbar or lower. A gauge enable signal is used to control the operation of the AIM Gauge; refer to [Section 4.2](#) for more information.

An 8-way electrical connector socket on the AIM Gauge ([Figure 1](#), item 6) is used to connect the AIM Gauge to your AGC, AGD or electrical supply and voltmeter. Electrical cables fitted with suitable connector plugs are available as accessories.

A gauge identification signal is available on the electrical connector: this signal is used by Edwards AGCs to identify which type of Active Gauge is connected.

The AIM Gauge has a set-point facility; the set-point signal is an open-drain transistor (FET) output, which is on when the pressure measured by the Gauge is below a preset pressure. You can adjust the pressure at which the set-point output goes on: refer to [Section 4.4](#). Note that, if you use a Edwards AGC Controller or AGD Display, the AIM Gauge set-point output signal is not used.

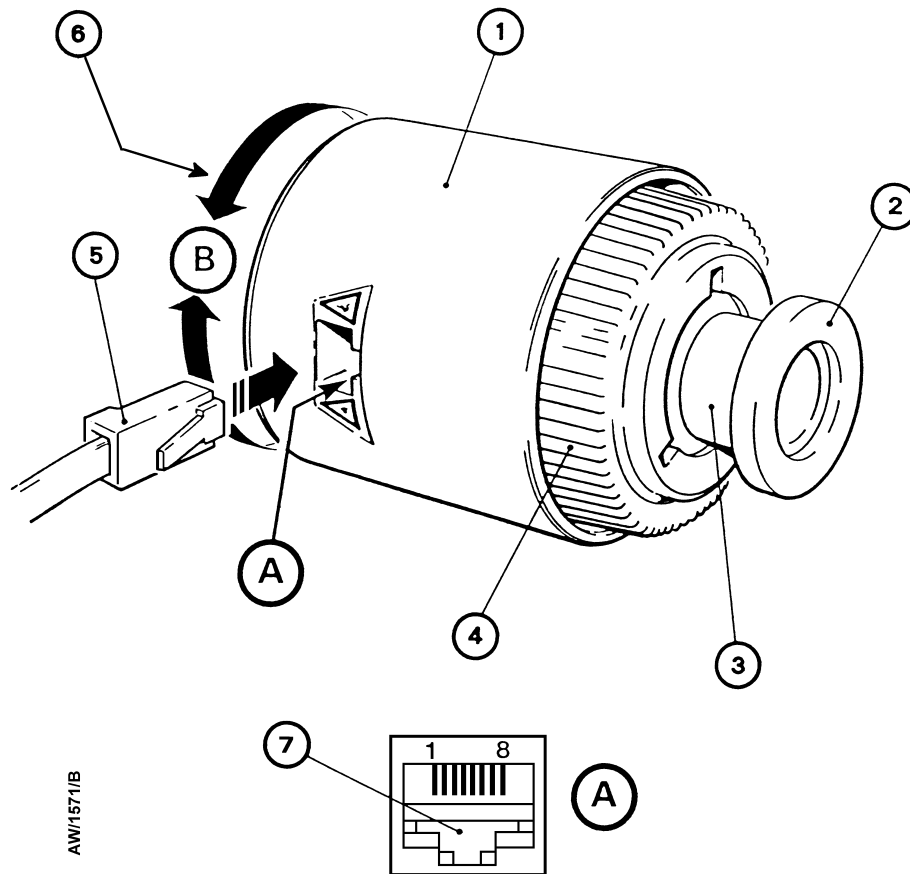
### 1.3 Gas dependency

The ionisation of the gas in the vacuum system is dependent on both the pressure and the physical properties of the gas. Therefore, the output signal of the AIM Gauge is gas dependent.

The output signal voltage to pressure conversions in [Table 2](#) apply for nitrogen and dry air.

Calibration graphs for use with argon, neon, krypton, helium and carbon dioxide are available on request; contact your supplier or Edwards.

Figure 1 - General view of the AIM Gauge (showing the NW25 flange)



1. End-cap
2. Vacuum flange
3. Body tube
4. Magnet housing
5. Cable connector plug
6. Set-point potentiometer (on end of item 1)
7. AIM Gauge connector socket

## 2 Technical data

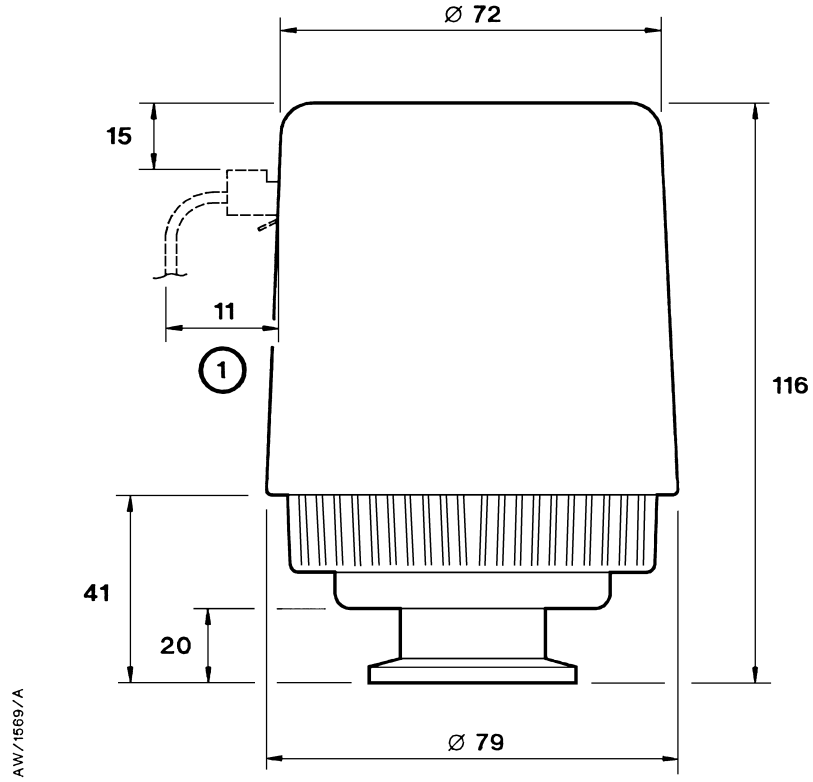
### 2.1 Mechanical data

Dimensions	See Figure 2
Mass	
AIM-S/X-NW25	810 g
AIM-SL/XL-NW25	860 g
Volume of gauge tube	26 cm <sup>3</sup>
Enclosure rating	IP40 (BS5490) and IP403 (IEC529)

### 2.2 Performance, operating and storage conditions

Ambient temperature	
operation	5 to 60 °C
storage	0 to 70 °C
Ambient humidity (operation)	10 to 90% (non-condensing)
Maximum operating altitude	2000 m Indoor use only
Maximum internal pressure	10 bar absolute (9 bar gauge)
Pressure measurement range	
AIM-S/SL-NW25	1 x 10 <sup>-8</sup> to 1 x 10 <sup>-2</sup> mbar
AIM-X/XL-NW25	1 x 10 <sup>-9</sup> to 1 x 10 <sup>-2</sup> mbar
Pollution degree	2

Figure 2 - Dimensions (mm)



1. Clearance required for electrical cable



## 2.3 Electrical data

Electrical supply	
Voltage	+13.5 to +36 V d.c.
Max voltage ripple	1 V peak to peak
Max source resistance	50 $\Omega$
Maximum power consumption	2 W
Electrical connector	FCC68/RJ45 type, 8-way
Pressure output signal	
Range	$2 \leq \text{output} \leq 10$ V d.c.
Error range	output < 2 V d.c. or output > 10 V d.c.
Impedance	0.1 $\Omega$
Min load impedance	10 k $\Omega$
Max current source	1 mA
Gauge enable	
Control sense	Active low
Active level	< 1.3 V
Control impedance	12 k $\Omega$ pull-up to positive supply
Set-point output external load rating	40 V d.c., 100 mA max
Set-point trip level	
Range	1.8 to 10.0 V
Minimum load impedance	200 k $\Omega$
Hysteresis	500 mV
Back EMF suppression diode *	
Min. surge rating	1 A
Min. reverse voltage rating	100 V
Gauge identification resistance	
AIM-S/SL-NW25	100 k $\Omega$ + 2%
AIM-X/XL-NW25	110 k $\Omega$ + 2%

\* Required when you use an external d.c. Relay connected to the set-point output.

## 2.4 Error monitoring

The set-point output is switched off:

- For 0.5 seconds during gauge switch-on
- When pressure output signal voltage < 1.8 V.

## 2.5 Materials exposed to vacuum

- Stainless steel (AISI 304 and 306).
- Fluoroelastomer.
- Soda lime glass.

## 3 Installation

### 3.1 Unpack and inspect

Remove all packing materials and protective covers and check the AIM Gauge.

If the AIM Gauge is damaged, notify your supplier and the carrier in writing within three days; state the Item Number of the AIM Gauge together with your order number and your supplier's invoice number. Retain all packing materials for inspection. Do not use the AIM Gauge if it is damaged.

If the AIM Gauge is not to be used immediately, replace the protective covers. Store the AIM Gauge in suitable conditions as described in [Section 6](#).

### 3.2 Fit the AIM Gauge to the vacuum system

The AIM Gauge can be mounted in any orientation. To avoid the build-up of debris or condensable material in the body tube of the AIM Gauge (which will probably cause pressure measurement errors), we recommend that you install the AIM Gauge vertically as shown in [Figure 2](#).

Use an 'O' ring/centring ring or Co-Seal and clamp to connect the NW25 flange of the AIM Gauge to a similar flange on your vacuum system.

If required, you can turn the end-cap (relative to the magnet housing) so that the electrical connection socket is in a convenient position on your system; refer to [Figure 1](#) and use the following procedure: hold the magnet housing (4) and turn the end-cap (1) in a clockwise or anticlockwise direction (arrow B) until the electrical connection socket (6) is in the required position.

### 3.3 Electrical connections



#### WARNING

If the AIM Gauge malfunctions, the AIM Gauge pressure output may be incorrect. If such a failure could cause injury to people or damage equipment, you must install a suitable control system to indicate the failure and, if necessary, to close down your process system.

When using a cable longer than 30 m, full compliance with European Standards requires an in-line surge suppressor (please refer to [Section 7.3](#))

#### 3.3.1 Connect to Edwards controllers or AGD display

Connect the AIM Gauge to the controller or display with a cable which is terminated in suitable connectors. Suitable cables are available from Edwards (refer to [Section 7](#)).

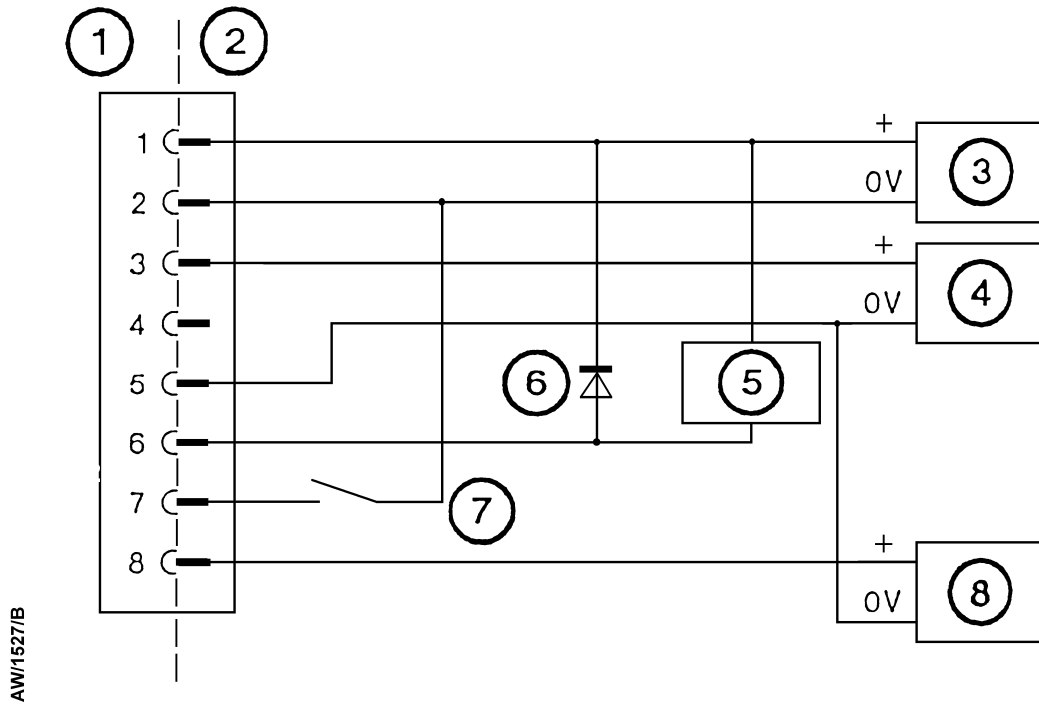
#### 3.3.2 Connect to your own supply and control equipment

**Note:** Do not connect the electrical supply common (pin 2) to the signal common (pin 5). If you do, the AIM Gauge pressure output signal will be inaccurate.

A schematic diagram of the recommended electrical connections to the AIM Gauge is shown in [Figure 3](#).

The pins on the AIM Gauge electrical connection socket are used as shown in [Table 1](#). The specification of the electrical supply, d.c. relay and back EMF suppression diode are given in [Section 2](#).

Figure 3 - Schematic diagram of typical electrical connections



- 1. AIM Gauge electrical connector socket
- 2. Cable electrical connector plug
- 3. Electrical supply
- 4. Voltmeter (pressure signal)
- 5. D.C. relay (optional)
- 6. Back EMF suppression diode (optional)
- 7. Gauge enable switch
- 8. Voltmeter (set-point trip level)

Table 1 - Pins on the AIM Gauge electrical connector socket

Pin Number	Use
1	Electrical supply positive voltage
2	Electrical supply common
3	Pressure measurement output signal
4	Gauge identification signal
5	Signal common
6	Set-point output signal
7	Gauge enable
8	Set-point trip level

The connection to pin 6 is optional. Make the connection to pin 6 if you want to connect the set-point output signal to a d.c. relay: you must connect a suppression diode between pins 1 and 6 to protect the AIM Gauge from transient voltages generated when the d.c. relay is switched off.

You can connect a voltmeter between pins 5 and 8 to measure the set-point trip level (that is, the voltage at which the set-point output will go on): see [Figure 3](#).

Connect a switch between pins 2 and 7 to enable and disable the gauge (refer to [Section 4.2](#)). If you want to measure the gauge identification signal (which identifies the AIM Gauge), measure the resistance between pins 4 and 5.

## 4 Operation

### 4.1 Safety



#### **WARNING**

Do not use the AIM Gauge to measure the pressure of explosive or flammable gases or mixtures.



#### **WARNING**

Never operate the AIM Gauge when it is disconnected from the vacuum system or when there are explosive or flammable gases in the surrounding atmosphere or the vacuum system. High voltages (up to 3 kV) are generated inside the body tube of the AIM Gauge; these could cause injury to people or could be a source of ignition.



#### **WARNING**

The AIM Gauge incorporates magnets. Keep away from Heart Pacemakers, Computers, Credit Cards and any other magnetically sensitive devices.

### 4.2 Enable and disable the AIM Gauge

#### **CAUTION**

Do not operate the AIM Gauge for long periods when the system pressure is above  $1 \times 10^{-2}$  mbar. If you do, the anode pin can be damaged and the AIM Gauge can be severely contaminated.

We recommend that you only enable the gauge when the system pressure is lower than  $1 \times 10^{-2}$  mbar and that you disable the gauge when the system pressure is  $1 \times 10^{-2}$  mbar or higher.

If you have connected the AIM Gauge to an AGC or AGD, refer to the corresponding instruction manual for details of how to enable (switch on) and disable (switch off) the AIM Gauge.

Otherwise, to enable (switch on) the AIM Gauge, connect pin 7 to pin 2 (or to ground). To disable (switch off) the AIM Gauge, disconnect pin 7 from pin 2 (or from ground).

### 4.3 Pressure measurement

If you connected the AIM Gauge to a Edwards AGC controller or AGD display, the pressure measured by the AIM Gauge is shown on the display.

If you connected the signal output of the AIM Gauge to a voltmeter, convert the measured voltage to the corresponding pressure value: for AIM-S and AIM-SL gauges, refer to [Table 2](#); for AIM-X and AIM-XL gauges, use the equation:

$$P = 10^{(7/8V - 10.75)}$$

where  $P$  is the pressure in mbar, and  $V$  is the measured voltage.

If necessary, adjust the pressure reading to compensate for the RMM of the gas in your vacuum system (refer to [Section 1.3](#)).

Table 2 - Pressure and voltage characteristics for nitrogen and dry air: AIM-S and AIM-SL Gauges

Pressure (mbar)	Output voltage (V)	Pressure (torr)	Pressure (mbar)	Output voltage (V)	Pressure (torr)
1.0 x 10 <sup>-8</sup>	2.00	7.5 x 10 <sup>-9</sup>	6.9 x 10 <sup>-6</sup>	6.40	5.2 x 10 <sup>-6</sup>
2.4 x 10 <sup>-8</sup>	2.50	1.8 x 10 <sup>-8</sup>	8.4 x 10 <sup>-6</sup>	6.60	6.3 x 10 <sup>-6</sup>
5.8 x 10 <sup>-8</sup>	3.00	4.4 x 10 <sup>-8</sup>	1.0 x 10 <sup>-5</sup>	6.80	7.5 x 10 <sup>-6</sup>
8.1 x 10 <sup>-8</sup>	3.20	6.1 x 10 <sup>-8</sup>	1.2 x 10 <sup>-5</sup>	7.00	9.0 x 10 <sup>-6</sup>
1.1 x 10 <sup>-7</sup>	3.40	8.3 x 10 <sup>-8</sup>	1.4 x 10 <sup>-5</sup>	7.20	1.1 x 10 <sup>-5</sup>
1.5 x 10 <sup>-7</sup>	3.60	1.1 x 10 <sup>-7</sup>	1.7 x 10 <sup>-5</sup>	7.40	1.3 x 10 <sup>-5</sup>
2.1 x 10 <sup>-7</sup>	3.80	1.6 x 10 <sup>-7</sup>	2.0 x 10 <sup>-5</sup>	7.60	1.5 x 10 <sup>-5</sup>
2.9 x 10 <sup>-7</sup>	4.00	2.2 x 10 <sup>-7</sup>	2.4 x 10 <sup>-5</sup>	7.80	1.8 x 10 <sup>-5</sup>
4.0 x 10 <sup>-7</sup>	4.20	3.0 x 10 <sup>-7</sup>	2.9 x 10 <sup>-5</sup>	8.00	2.2 x 10 <sup>-5</sup>
5.4 x 10 <sup>-7</sup>	4.40	4.1 x 10 <sup>-7</sup>	3.5 x 10 <sup>-5</sup>	8.20	2.6 x 10 <sup>-5</sup>
7.3 x 10 <sup>-7</sup>	4.60	5.5 x 10 <sup>-7</sup>	4.3 x 10 <sup>-5</sup>	8.40	3.2 x 10 <sup>-5</sup>
9.8 x 10 <sup>-7</sup>	4.80	7.4 x 10 <sup>-7</sup>	5.7 x 10 <sup>-5</sup>	8.60	4.3 x 10 <sup>-5</sup>
1.3 x 10 <sup>-6</sup>	5.00	9.8 x 10 <sup>-7</sup>	7.9 x 10 <sup>-5</sup>	8.80	5.9 x 10 <sup>-5</sup>
1.7 x 10 <sup>-6</sup>	5.20	1.3 x 10 <sup>-6</sup>	1.2 x 10 <sup>-4</sup>	9.00	9.0 x 10 <sup>-5</sup>
2.2 x 10 <sup>-6</sup>	5.40	1.7 x 10 <sup>-6</sup>	1.9 x 10 <sup>-4</sup>	9.20	1.4 x 10 <sup>-4</sup>
2.8 x 10 <sup>-6</sup>	5.60	2.1 x 10 <sup>-6</sup>	3.3 x 10 <sup>-4</sup>	9.40	2.5 x 10 <sup>-4</sup>
3.6 x 10 <sup>-6</sup>	5.80	2.7 x 10 <sup>-6</sup>	6.7 x 10 <sup>-4</sup>	9.60	5.0 x 10 <sup>-4</sup>
4.5 x 10 <sup>-6</sup>	6.00	3.4 x 10 <sup>-6</sup>	1.7 x 10 <sup>-3</sup>	9.80	1.3 x 10 <sup>-3</sup>
5.6 x 10 <sup>-6</sup>	6.20	4.2 x 10 <sup>-6</sup>	3.6 x 10 <sup>-3</sup>	9.90	2.7 x 10 <sup>-3</sup>
			1.0 x 10 <sup>-2</sup>	10.00	7.5 x 10 <sup>-3</sup>

### 4.4 Set-point

*Note:* The set-point is not used if you connect the AIM Gauge to a Edwards AGC Controller or AGD Display.

To adjust the voltage at which the set-point output signal goes on, turn the set-point potentiometer, which is accessible through an access hole in the end-cap of the gauge: see [Figure 1](#). Turn the potentiometer clockwise to increase the voltage and turn it anticlockwise to decrease the voltage. Refer to [Section 4.3](#) to determine the operating voltage which corresponds to a given pressure.

The AIM Gauge has an error monitoring facility, which ensures that the set-point output signal is off:

- When the Gauge is switched off (that is, not enabled).
- For 0.5 seconds immediately after the AIM Gauge is switched on.
- When the pressure output signal is out of range, perhaps because the gauge has failed to strike (ignite).

If required, you can adjust the potentiometer so that the set-point operating voltage is < 1.8 V (that is, turn the potentiometer fully anticlockwise). This ensures that the set-point output signal is permanently off.

If required, you can use the set-point output signal to indicate when the Gauge is operating correctly: adjust the potentiometer so that the set-point operating voltage is ≥ 10 V (that is, turn the potentiometer fully clockwise). If the Gauge is operating normally, the set-point output signal will then be switched on.

*Note:* If you adjust the set-point operating voltage to > 9.5 V, the hysteresis voltage will be > 10 V and the set-point output signal may not switch off when the pressure rises; if so, the set-point output signal will only go off when the gauge is switched off (that is, disabled).

## 5 Maintenance

### 5.1 Introduction



#### **WARNING**

Do not disconnect the electronics and magnet housing from the body tube when the body tube is connected to the vacuum system. If there is a plasma discharge in the vacuum system near the body tube, the body tube can become electrically charged.



#### **WARNING**

Disconnect the cable from the AIM Gauge before you remove the AIM Gauge from the vacuum system. High voltages are generated inside the AIM Gauge.

The internal components of the AIM Gauge are shown in [Figure 4](#). The AIM Gauge is designed so that you can easily clean these components, or use the spares listed in [Section 7](#) to replace these components. Refer to the following sections for details of the maintenance procedures, which you should do when necessary.

### 5.2 Replace the body tube

Refer to [Figure 4](#) and use the following procedures to replace the body tube:

#### 5.2.1 Remove the AIM Gauge from the vacuum system

1. Switch off the AIM Gauge electrical supply and ensure that the vacuum system is at atmospheric pressure.
2. Disconnect the cable connector plug ([Figure 1](#), item 5) from the AIM Gauge and remove the AIM Gauge from the vacuum system.

#### 5.2.2 Fit the new body tube

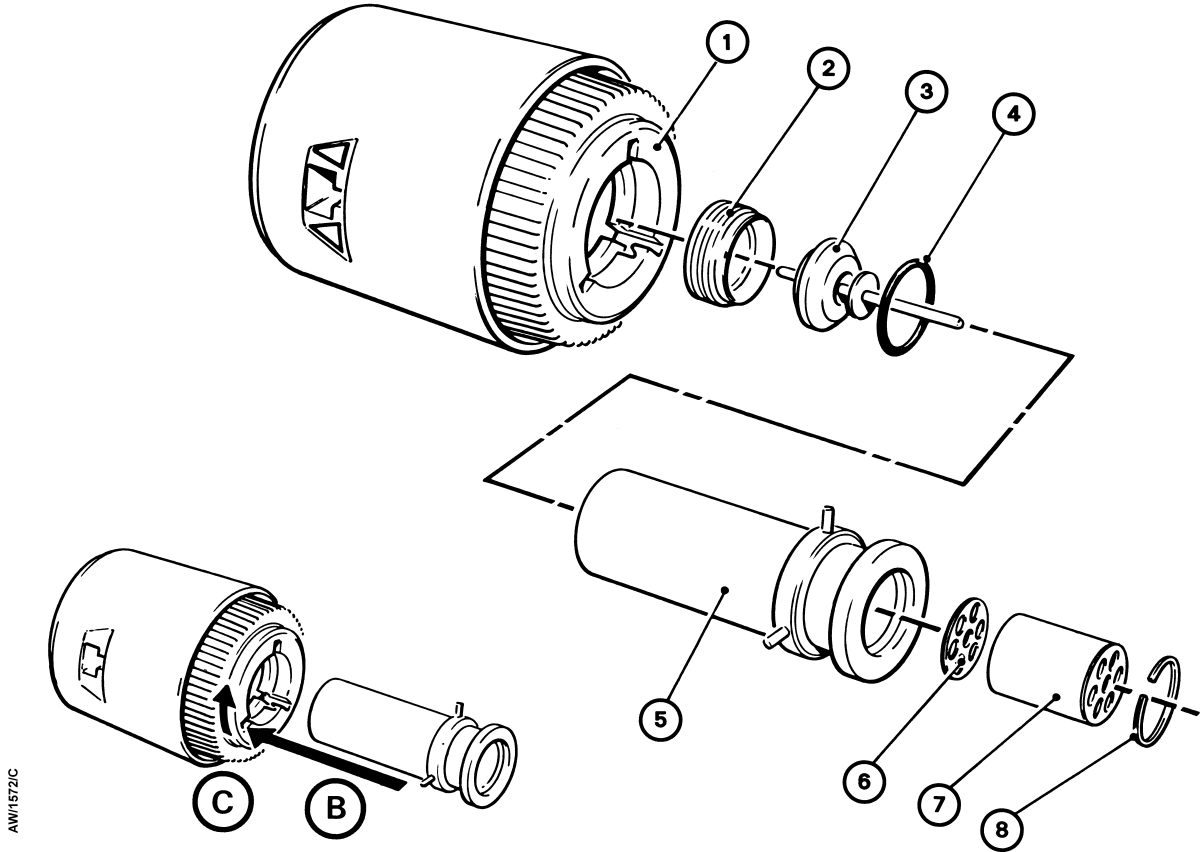
1. Hold the magnet housing (1) and turn the body tube (5) anticlockwise (when viewed from the vacuum flange) to unlock the bayonet fitting. Remove the body tube from the magnet housing.
2. Slide the new body tube into the magnet housing (1) (as shown by arrow B).
3. Hold the magnet housing (1) and turn the body tube (5) clockwise (when viewed from the vacuum flange) to lock the bayonet fitting (as shown by arrow C).

#### 5.2.3 Refit the AIM Gauge to the vacuum system

Refit the AIM Gauge to the vacuum system as described in [Section 3.2](#) and refit the cable connector plug to the socket on the AIM Gauge ([Figure 1](#), item 6).



Figure 4 - Exploded view of the AIM Gauge



AW11572/C

1. Magnet housing
2. Collar
3. Anode assembly
4. 'O' ring
5. Body tube
6. Cathode plate
7. Cathode tube
8. Circlip

## 5.3 Replace the electrode assembly

Refer to [Figure 4](#) in the following procedure.

1. Remove the AIM Gauge from the vacuum system as described in [Section 5.2.1](#).
2. Remove the body tube from the AIM Gauge as described in Step 1 of [Section 5.2.2](#).
3. Fit the flat spanner supplied in the electrode assembly kit (refer to [Section 7](#)) to the two lugs in the end of the collar (2), then turn the collar anticlockwise to unscrew the collar from the body tube (5) and remove the anode assembly (3) and the 'O' ring (4).
4. Use circlip pliers to remove the circlip (8) from the vacuum flange end of the body tube (5), then remove the cathode tube (7) and the cathode plate (6).
5. Fit the new cathode plate (6) and cathode tube (7) into the body tube and secure with the circlip (8).
6. Fit the new 'O' ring (4) and anode assembly (3) into the body tube (5); ensure that the orientation of the anode assembly is correct.
7. Refit the collar (2) to the body tube. Locate the flat spanner on the two lugs on the collar and turn the collar clockwise until it is fully secured in the body tube.
8. Refit the body tube (5) to the magnet housing (1) as described in Steps 2 and 3 of [Section 5.2.2](#). Refit the AIM Gauge to the vacuum system as described in [Section 5.2.3](#).

## 5.4 Replace the electronics and magnet housing

The magnet housing and end-cap contain the AIM Gauge control electronics. Replace the complete unit as described below.

1. Remove the AIM Gauge from the vacuum system as described in [Section 5.2.1](#).
2. Remove the body tube from the AIM Gauge as described in Step 1 of [Section 5.2.2](#).
3. Dispose of the old magnet housing and end-cap (refer to [Section 6](#)).
4. Fit the body tube to the new magnet housing and end-cap as described in Steps 2 and 3 of [Section 5.2.2](#). Refit the AIM Gauge to the vacuum system as described in [Section 5.2.3](#).

## 5.5 Clean the internal components

Refer to [Figure 4](#) in the following procedure.

1. Remove the internal components from the magnet housing as described in Steps 1 to 4 of [Section 5.3](#).
2. The anode assembly (3) has a bracket mounted close to the disk on the anode. Use a strip of fine emery paper to clean the gap between the disk and the bracket.
3. Use a fine screwdriver or feeler gauge and ensure that the gap is a minimum of 0.25 mm.
4. Degrease the cathode plate (6), cathode tube (7), body tube (5) and anode assembly (3) in a suitable degreasing agent.
5. Thoroughly soak the components in a suitable laboratory detergent.
6. Rinse the components in clean water to remove the detergent.
7. Rinse the components in methanol to remove all of the water, then thoroughly dry the components.
8. Refit the components in the magnet housing as described in Steps 5 to 8 of [Section 5.3](#).

## 5.6 Fault finding

If the AIM Gauge does not operate correctly, ensure that the electrical connections are correct (refer to [Section 3](#)) and ensure that your electrical supply is suitable for the AIM Gauge (refer to [Section 2](#)).

---

## 6 Storage and disposal

### 6.1 Storage

Return the AIM Gauge to its protective packaging and store the AIM Gauge in clean dry conditions until required for use. Do not exceed the storage temperature conditions specified in [Section 2](#).

When required for use, prepare and install the AIM Gauge as described in [Section 3](#).

### 6.2 Disposal

Dispose of the Product and any components safely in accordance with all local and national safety and environmental requirements.

Alternatively, you may be able to recycle the Product and/or cables: contact Edwards or your supplier for advice (also see below).

The Product and associated cables and ion gauges are within the scope of the European Directive on Waste Electrical and Electronic Equipment. Edwards offer European customers a recycling service for the Product/cables/associated gauge heads at the end of the product's life. Contact Edwards for advice on how to return the Product/cables/ion gauges for recycling.

## 7 Spares and accessories

### 7.1 Introduction

Edwards products, spares and accessories are available from Edwards companies in Belgium, Brazil, Canada, France, Germany, Hong Kong, Italy, Japan, Korea, Switzerland, United Kingdom, U.S.A, and a world wide network of distributors. The majority of these centres employ Service Engineers who have undergone comprehensive Edwards training courses.

Order spare parts and accessories from your nearest Edwards company or distributor. When you order, please state for each part required:

- Model and Item Number of your equipment
- Serial number (if any)
- Item Number and description of part

### 7.2 Spares

Spare	Item Number
Electronics and magnet housing	
AIM-S-NW25	D146-41-800
AIM-SL-NW25	D146-44-800
AIM-X-NW25	D146-42-800
AIM-XL-NW25	D146-45-800
Body tube	D145-45-801
Electrode assembly kit *	D145-45-802

\* The electrode assembly kit contains one each of the following components: cathode plate, cathode tube, circlip, 'O' ring, anode assembly, collar, flat spanner.

### 7.3 Accessories

The cables suitable for use with the AIM Gauge are as follows. These cables are supplied with 8-way male electrical connectors on both ends.

Cable length	Item Number
0.5 m            18 inches	D400-01-005
1 m                3 feet	D400-01-010
3 m                10 feet	D400-01-030
5 m                15 feet	D400-01-050
10 m               30 feet	D400-01-100
15 m               50 feet	D400-01-150
25 m               80 feet	D400-01-250
50 m               150 feet	D400-01-500
100 m              325 feet	D400-01-999
Surge Suppressor	D400-06-000