

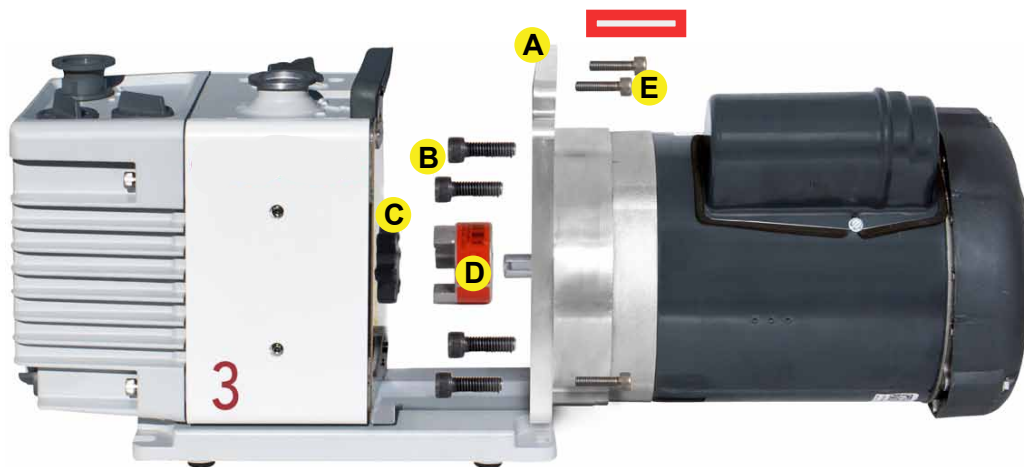
The Ideal Vacuum Motor Conversion Kit **PN: MKIT-ERV35812** was specially designed and made to adapt American motors to European pumps. To be used on the following pumps:

Rotary Vacuum Pumps **RV3, RV5, RV8, RV12**



1. Parts List (PN: MKIT-ERV35812)

- A. IVP Motor Adapter.
- B. (4) 3/8-16x3/4" screws (use a 5/16 allen key)
- C. Spider
- D. Motor Shaft Coupling (use a 1/8 allen key)
- E. Use a 6mm key to install the (4) 1-7/8 pump screws (Not included in the IVP Kit, these screws must come with the pump)



PLEASE FOLLOW THE INSTALLATION STEPS FOR SAFE AND PROPER MOTOR REPLACEMENT.



WARNING

Warnings are given where failure to observe the instruction could result in injury or death to people.



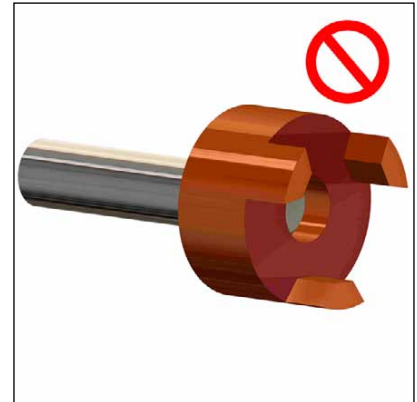
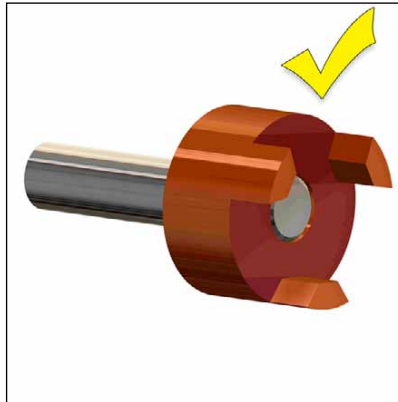
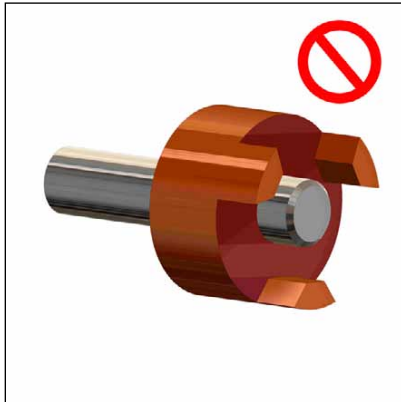
Wrong installation can cause malfunction or even critical damage to the motor and/or the pump.

Before starting the new motor installation, remove the old/damaged motor.

Clean the visible areas for preparation of the new motor.

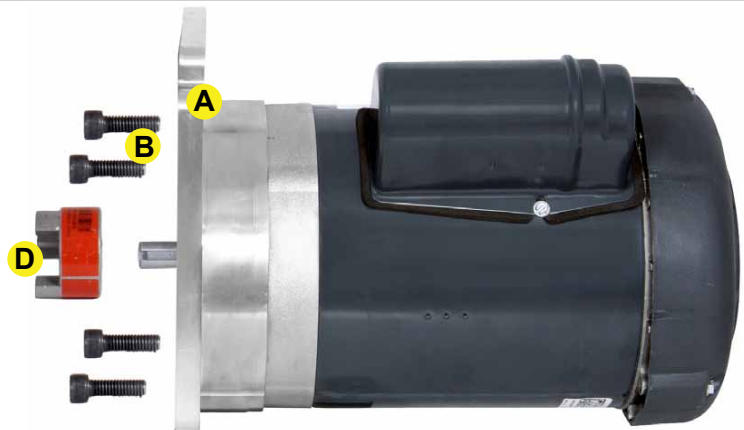


Please review the next images to be sure the proper way to install the motor shaft coupling. A wrong installation can cause malfunction or even critical damage to the motor and/or the pump. The motor shaft coupling **MUST** be flush with the shaft. (as shown in the center image below)



2. Motor Adapter Installation

- 2.1 Place and align the Motor Adapter (A) to the new motor.
- 2.2 Using the 3/8-16x3/4" screws (B) and a 5/16 allen key, install the motor adapter to the new motor.
- 2.3 Use a 1/8 allen key to install the 5/8" shaft coupling (D) to the motor. (MUST be flush with the motor shaft)



3. Pump Preparation



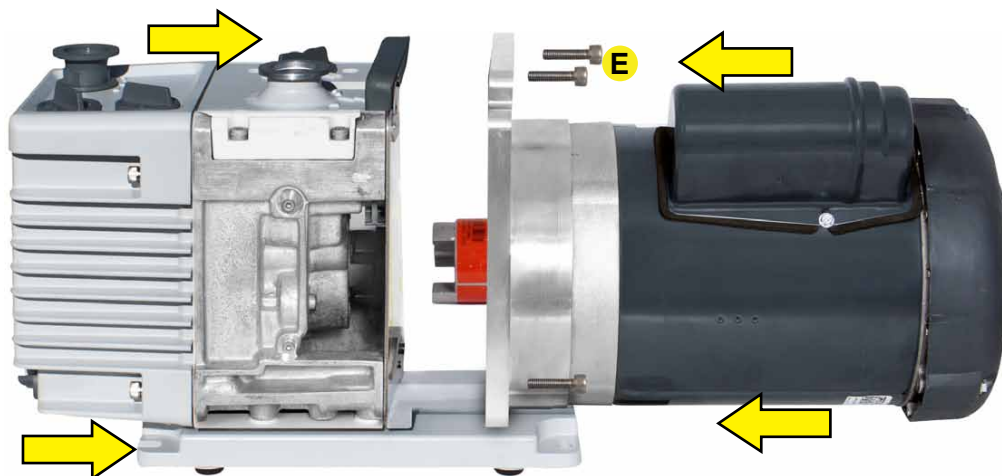
- 3.1 Remove one of the pump side covers (S) to have more space to work around the shaft and make sure the motor shaft coupling will assemble properly.
- 3.2 Use the original Edwards pump shaft coupling and the spider, or the spider (C) provided in this kit.

When you are done with the installation of all the parts on both, motor and pump, it will look something like the following image (depending on the motor and pump models)



4. Pump & Motor Assembly

4.1 Slide the pump and the new motor together, assembly using the pump screws (E) and a 6mm allen key.



5. Pump & Motor Assembled Together

5.1 The pump with the new motor will look something like the following image (It all depends on the pump and motor model)

