

EM18 VACUUM PUMPS - PRODUCT SERVICE RECOMMENDATIONS

Performance optimisation through regular maintenance.



As with all mechanical devices, regular maintenance can help ensure optimised, safe performance of your Edwards EM Series vacuum pump. Please refer to the maintenance schedule for recommended maintenance guidelines and intervals*.

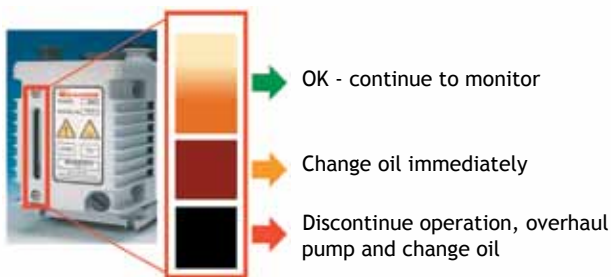
Edwards offers oils, service kits and component spares for complete pump/accessory overhaul and blade replacement.

* Remember that corrosive or abrasive applications, or the use of gas ballast, may increase the required frequency of service activities.

Oil Condition

The condition of oil used in mechanical pumps deteriorates over time and by contamination from process gases and byproducts, indicated by a progressive change of oil color. Regular replacement of oil will minimise wear and tear on contacting parts and prolong good vacuum performance.

Edwards recommends regular checks on the oil colouration and replacement every 3,000 hours (4 months) depending on application.



Clean and Overhaul

Regular cleaning of the vacuum pump to remove process deposits and replacement of the seals to prevent oil and vacuum leaks is essential to maintaining high performance of the product, as well as a clean, safe operating environment. A clean and overhaul kit contains all the parts needed for routine cleaning of your pump.

Blade (vane) replacement

Blades (vanes) on a rotary pump will wear during normal operation. Edwards recommends replacing them every 30,000 hours (40 months), or as your process conditions dictate. A blade kit contains a full set of blades and typically is used in conjunction with a clean and overhaul kit.

Accessories

If accessories are fitted to your pump, they too will require regular checks and maintenance. A blocked dust filter, for example, can significantly reduce the efficiency of a pump.

Act responsibly and safely

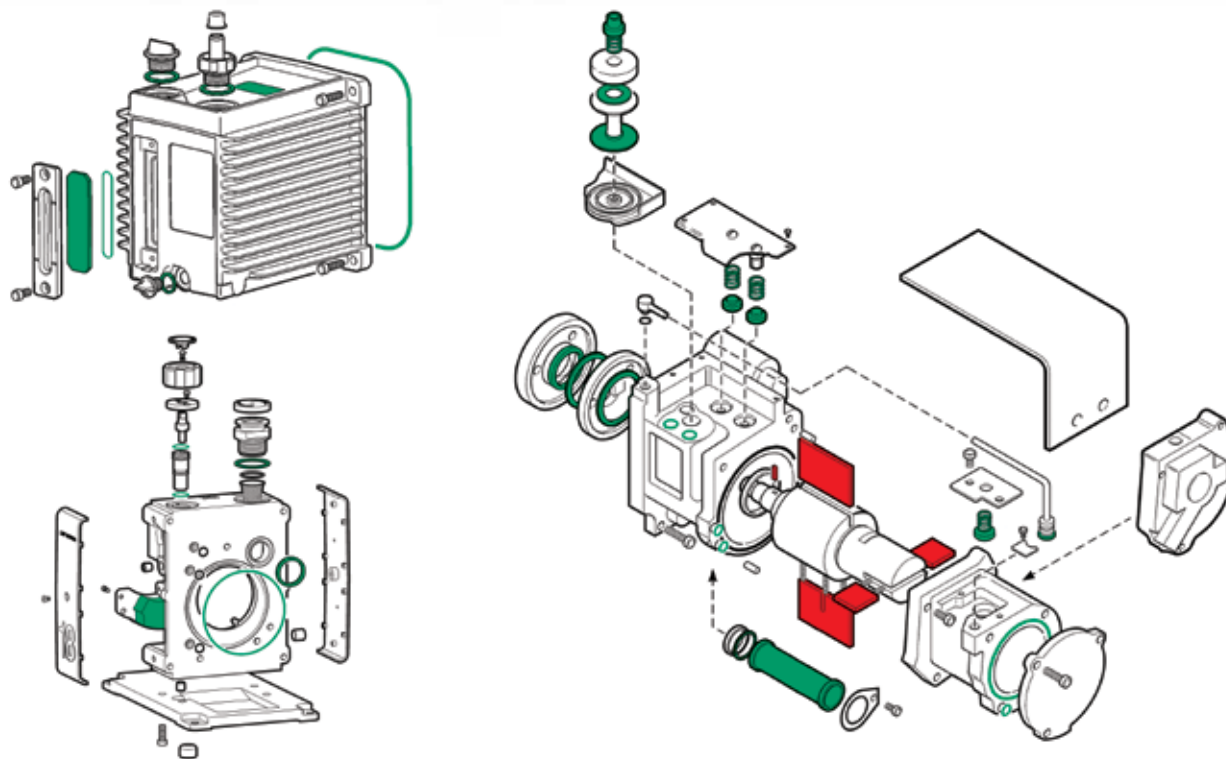
Edwards cares about the health and safety of people and the environment. Please remember to dispose of used or contaminated oil, cleaning solutions and components responsibly and safely.

Edwards services

If you prefer maintenance of your products to be performed with the assurances and guarantees of OEM standards, Edwards offers a full range of maintenance, overhaul and exchange services that include safe disposal of oil, fluids and used components. Contact us for further information.

MAINTENANCE SCHEDULE AND SPARE PARTS

Clean and overhaul kit: A36301131 (items in green below) Blade kit: A34301130/A36301020 (items in red below)



| Maintenance Schedule Interval | Change the oil every 3,000 hrs/4 months | Clean and overhaul every 15,000 hrs/20 months | Replace blades every 30,000 hrs/40 months |
|-------------------------------|---|---|---|
| | Mineral Oil | Clean & Overhaul Kit | Blade Kit |
| E1M18 | H11025015 | A36301131 | A34301130 |
| E2M18 | H11025015 | A36301131 | A36301020 |

| Accessory Maintenance | | Check/Change Filters | | Check/Change Sorbents | |
|-----------------------|---------|----------------------|----------------|-----------------------|-----------------|
| | | Every month | Every 6 months | Refer to manual | Refer to manual |
| | | Odor/Dust Element | Oil Element | Charcoal | Alumina |
| Outlet Mist Filter | EMF 3 | A22304081 | A22304197 | - | - |
| Outlet Mist Filter | EMF 10 | A22304079 | A22304198 | - | - |
| Outlet Mist Filter | EMF 20 | A22304077 | A22304199 | - | - |
| Inlet Chemical Trap | ITC 20K | - | - | H12205001 | H02600056 |
| Inlet Dust Filter | ITF 20K | A44201800 | - | - | - |
| Foreline Trap | FL 20K | - | - | - | H02600056 |

This is one of a range of datasheets provided by Edwards to help you check, maintain and optimise product performance. Please visit www.edwardsvacuum.com or contact us for other editions, accessory information or product specifications and test procedures.

Chemtech Scientific provides access to this content as a courtesy.
 We do not own the content contained in this document.
 All rights and credit go directly to its rightful owners.
www.chemtechsci.com
 Call us at: 484-424-9415

