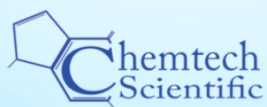


Instruction Manual

EXT555H

Chemtech Scientific provides access to this content as a courtesy.
We do not own the content contained in this document.
All rights and credit go directly to its rightful owners.
www.chemtechsci.com
Call us at: 484-424-9415



Declaration of Conformity

We, BOC Edwards,
Manor Royal,
Crawley,
West Sussex. RH10 2LW. UK

declare under our sole responsibility that the product(s)

EXT555H Compound Turbo-molecular Pumps:

EXT 555H ISO160	NRA266000
EXT 555H 160CF	NRA267000

and their accessories:

ACX555 Air cooler	B580-53-561 (NRA314000)
WCX555 Water cooler	B580-67-003 (NRA313000)
BX501 (110V)	B580-52-044
BX501 (240V)	B580-52-064

to which this declaration relates is in conformity with the following standard(s) or other normative document(s)

EN 292	Safety of Machinery - Basic Concepts, General Principles for Design
EN 1012-2	Mechanical Safety Requirements, Vacuum Pumps
EN 61010-1 (2001)	Safety Requirements for Electrical Equipment for Measurement, Control and Laboratory Use.*
EN 61326† (Industrial location, Class B Emissions)	Electrical equipment for measurement, control and laboratory use - EMC requirements

* The pumps comply with EN 61010-1 (2001) when installed in accordance with the instruction manual supplied with the pumps

† Generic standard class dependent on Controller (see Controller manual for details)

following the provisions of

98/37/EC	Machinery Directive.
73/23/EEC	Low Voltage (Electrical Safety) Directive.
89/336/EEC	Electromagnetic Compatibility Directive.

*Martin Stuart, Technical Manager
EXT Turbomolecular Pumps*

Date and place

This product has been manufactured under a quality system registered to ISO9001

CONTENTS

Section	Title	Page
1	INTRODUCTION	1
1.1	Scope and definitions	1
2	TECHNICAL DATA	3
2.1	General	3
2.2	Pumping media	3
2.2.1	Pumps without gas purge	4
2.2.2	Pumps with gas purge	4
2.3	Vent gas specification and vent control data	4
2.4	Purge gas specification	5
2.5	Water cooling	5
2.6	Materials exposed to gases pumped	6
3	INSTALLATION	9
3.1	Unpack and inspect	9
3.2	Typical installation	9
3.3	Connection to the vacuum system	9
3.3.1	Inlet screens (supplied fitted)	9
3.3.2	Inlet connection	11
3.3.3	Backing connection	11
3.3.4	Interstage connection (Hi pump variants only)	13
3.4	Vent options, vent valve connection and control	13
3.5	Purge gas connection	15
3.5.1	Connect the purge gas	15
3.5.2	Recommended purge gas flow	15
3.6	Electrical installation	15
3.7	Cooling	15
3.7.1	Introduction	15
3.7.2	Forced air cooling	17
3.7.3	Water cooling	17
4	OPERATION	19
4.1	Start up	19
4.2	Stand-by	19
4.3	Shut-down	19
4.4	Safety interlocks and control system	19
4.5	Bakeout (conflat only)	20
5	MAINTENANCE	21
5.1	Introduction	21
5.2	Bearing maintenance	21
5.3	Clean the pump	21
5.4	Fault finding	21
6	STORAGE AND DISPOSAL	25

CONTENTS (continued)

Section	Title	Page
6.1	Storage	25
6.2	Disposal	25
7	SERVICE, SPARES AND ACCESSORIES	27
7.1	Introduction	27
7.2	Service	27
7.3	Spares	27
7.3.1	ISX inlet-screen	27
7.3.2	Inlet-strainer (EXT555Hi pump only)	28
7.3.3	Inlet-flange seals	28
7.4	Accessories	28
7.4.1	Installation	28
7.4.2	EXC controller	28
7.4.3	Pump-to-controller cable	30
7.4.4	EXDC drive modules	30
7.4.5	BX bakeout band (conflat only)	30
7.4.6	FL20K foreline trap	31
7.4.7	TAV vent-valve and vent-port adaptor	31
7.4.8	ACX air-cooler	31
7.4.9	WCX water-cooler	32
7.4.10	Vibration isolators	32
7.4.11	PRX purge-restrictor	32
7.4.12	VRX vent-restrictor	33

ILLUSTRATIONS

Figure	Title	Page
1	Typical pumping system	10
2	Diagram of inlet screen - remove screws 'A' in order to remove the inlet screen. Do not remove screws 'B'	12
3	Maximum rate of pressure rise when venting	14
4	Dimensions and features of EXT555H pumps	16
5	Installation of EXT555H optional accessories and spares	29

TABLES

Table	Title	Page
1	General information	3
2	Vent gas and vent control data	4
3	Purge gas specification	5
4	Cooling water specification	5
5	Technical data	6
6	List of items supplied	9
7	Vent restrictor orifice diameter (with atmospheric pressure at the inlet)	13
8	Fault finding	22
9	ISX inlet-screen	27
10	Inlet-strainer (EXT555Hi pump only)	28
11	Inlet-flange seals	28
12	EXC controller	28
13	Pump-to-controller cable	30
14	EXDC drive modules	30
15	BX bakeout band	30
16	FL20K foreline trap	31
17	TAV vent-valve and vent-port adaptor	31
18	ACX air-cooler	31
19	WCX water-cooler	32
20	Vibration isolators	32
21	PRX purge-restrictor	32
22	VRX vent-restrictor	33

ASSOCIATED PUBLICATIONS

Publication Title	Publication Number
EXC120/120E/300/300M Turbomolecular Pump Controllers	D396-14-880G
EXC250E/250L Turbomolecular Pump Controllers	D396-36-880A
EXDC Turbomolecular Pump Drive Modules	D396-40-880E


1 INTRODUCTION

1.1 Scope and definitions

This manual provides installation, operation, maintenance and storage instructions for the BOC Edwards EXT555H compound turbo-molecular pumps. Please read and follow all the instructions in this manual.

The EXT555H pump is designed for use with a BOC Edwards EXC or EXDC controller. Read this manual and the instruction manual supplied with your controller before you attempt to install or operate the equipment. The controller manual contains details of electrical installation.

Important safety information in this manual is highlighted as **WARNING** and **CAUTION** instructions. Please obey these instructions. The use of warnings and cautions is defined below.

	<p style="text-align: center;">WARNING</p> <p>Warnings are given where failure to observe the instruction could result in injury or death to people.</p>
---	---

<p style="text-align: center;">CAUTION</p> <p>Cautions are given where failure to observe the instruction could result in damage to the equipment, associated equipment or process.</p>
--

In accordance with the recommendations of EN61010, the following warning symbols may appear on the pump or its accessories:



Warning - refer to accompanying documentation.



Warning - risk of electric shock.



Warning - hot surfaces.

The units used throughout this manual conform to the SI system of units of measurement. Also, throughout this manual, wherever flow rates are specified, the abbreviation 'sccm' is used to mean standard $\text{cm}^3 \text{min}^{-1}$: this is a flow of $1 \text{cm}^3 \text{min}^{-1}$ at an ambient temperature of 0°C and a pressure of 1013 mbar ($1.013 \times 10^5 \text{ Pa}$).


2 TECHNICAL DATA

2.1 General

General items	Reference data
Performance	See Table 5
Dimensions and features	See Figure 4
Maximum inlet flange temperature	80 °C
Maximum magnetic field	
EXT555H DN160CF	3 mT horizontal, 5 mT vertical
EXT555H ISO160	2.5 mT horizontal, 5 mT vertical
Installation category	EN61010 part 1, category 1
Pollution degree	EN61010 part 1, category 2
Equipment type	Fixed equipment, for indoor use only
Operating altitude	up to 3000 m
Ambient temperature	5 °C - 35 °C (air cooled) 5 °C - 40 °C (water cooled)
Relative humidity	10 - 95% non condensing

Table 1 - General information

2.2 Pumping media




WARNING

Vent dangerous gases and gas mixtures safely. Do not expose people to these gases.

CAUTION

Do not use an EXT555H pump to pump gases containing more than 20% oxygen unless a bearing purge is applied as stated in Section 2. If you do the lubricant will be damaged and the pump will fail prematurely.




WARNING

Do not use EXT555H pumps to pump explosive gas mixtures as the pumps are not suitable for this purpose.

CAUTION

Do not use the EXT555H pump to pump mercury vapour, and do not allow mercury to come into contact with the pump. If you do, the rotor may corrode and fail.



WARNING

On an Hi variant, gas pumped through the interstage port will mix with gas pumped through the pump inlet. Ensure that the gases will not react or combine to form dangerous gases and substances.

Note: Concentrations of gases may be modified by the compression of the pump.

2.2.1 Pumps without gas purge

The pumps are designed to pump the following residual gases normally used in high vacuum systems:

- air
- nitrogen
- carbon dioxide
- carbon monoxide
- krypton
- helium
- neon
- argon
- hydrogen
- ethane
- propane
- butane
- methane

You can use the pumps to pump oxygen and water vapour subject to the following conditions:

- Oxygen

The oxygen concentration must be less than 20% by volume unless a bearing purge is applied as detailed in Section 2.2.2.

- Water vapour

You must ensure that vapour does not condense inside the pump - refer to Section 3.7.3.

If you wish to pump a gas not previously listed, contact your supplier for advice. If you do not contact your supplier you may invalidate the warranty on the pump.

The pumps are not suitable for pumping aggressive or corrosive gases.

2.2.2 Pumps with gas purge

When purged with an inert gas the pumps can be used to pump oxygen in concentrations above 20% by volume.

2.3 Vent gas specification and vent control data

Although the pump may be vented to atmosphere, relatively high air humidity may greatly increase the subsequent pump-down time. To reduce pump-down times you should vent the pump with dry, clean gases.

Vent gas system items	Reference data
Vent gas	Dry air, nitrogen, argon or other inert gases
Maximum dew point at atmospheric pressure	-22 °C
Maximum size of particulate	1 micron
Maximum concentration of oil	0.1 parts per million
Time for rotational speed to reach 50%	>15 seconds
Maximum allowed rate of pressure rise	see Figure 3

Table 2 - Vent gas and vent control data

2.4 Purge gas specification

Purge gas system items	Reference data
Purge gas	Dry nitrogen, argon or other inert gases
Maximum dew point at atmospheric pressure	-22 °C
Maximum size of particulates	1 micron
Maximum concentration of oil	0.1 parts per million
Allowable purge gas flow (when required)	20 to 150 sccm (0.33 to 2.48 mbar l s-1, 33 to 248 Pa l s-1)
Recommended purge gas flow	25 sccm (0.42 mbar l s-1, 42 Pa l s-1)
Maximum allowable purge gas supply pressure	2 bar gauge (29 psig, 3×10^5 Pa)

Table 3 - Purge gas specification

2.5 Water cooling

The following water cooling specification corresponds to a typical high quality drinking water specification. Check with your water supply authority if you are in doubt about the quality of your supply.

Cooling water system items	Reference data
Quality	Mechanically clean and optically with no deposits or turbidity
pH value	6.0 to 8.0
Maximum calcium carbonate concentration	75 parts per million
Maximum chloride concentration	100 parts per million
Minimum oxygen concentration	4 parts per million
Recommended water cooling flow rate (at 15 °C)	15 l hr ⁻¹
Water temperature	See Table 5
Maximum water pressure	5 bar (gauge), 73.5 psig, 6×10^5 Pa
Materials exposed to cooling water	Copper, brass, braise

Table 4 - Cooling water specification

2.6 Materials exposed to gases pumped

The following materials and component types are exposed to the gases pumped: aluminium alloys, stainless steels, fluoroelastomer and nitrile 'O' rings, hydrocarbon lubricant, rare earth magnets, silicon nitride, phenolic resin and carbon fibre epoxy resin.

Parameter	EXT555H	Notes
Mass EXT555H ISO160	13.4 kg	
Mass EXT555H DN160CF	21.2 kg	
Main inlet flange	DN160ISO-K/DN160CF	
Outlet flange	DN25NW	
Interstage port (Hi variants)	DN25NW	
Vent port	1/8 inch BSP	
Purge port	1/8 inch BSP	
Inlet pumping speed *		
N2	540 l s ⁻¹	
He	580 l s ⁻¹	
H2	500 l s ⁻¹	
Ar	510 l s ⁻¹	
Interstage pumping speed *		
N2	8 l s ⁻¹	
He	6 l s ⁻¹	
H2	8 l s ⁻¹	
Ar	10 l s ⁻¹	
Inlet compression ratio		**
N2	>10 ¹⁰	Pb < 20 mbar
He	10 ⁸	Pb < 12 mbar
H2	10 ⁶	Pb < 7 mbar
Ar	>10 ¹⁰	Pb < 20 mbar
Critical backing pressure †		
N2	> 20 mbar	
H2	9 mbar	
He	20 mbar	
Ar	> 20 mbar	

Table 5 - Technical data

EXT555H

Parameter	EXT555H	Notes
Ultimate pressure CF ISO	<10 ⁻¹⁰ mbar <2 x 10 ⁻⁹ mbar	
Minimum backing pump displacement Recommended backing pump	12 m ³ h ⁻¹ RV12	
Maximum continuous inlet pressure (light gas pumping) †† Forced air cooled, 30 °C ambient Forced air cooled, 35 °C ambient Water cooling at 15 °C	 1 x 10 ⁻³ mbar 5 x 10 ⁻⁴ mbar 2 x 10 ⁻³ mbar	
Maximum continuous inlet pressure (argon pumping) †† Forced air cooled, 30 °C ambient Forced air cooled, 35 °C ambient Water cooling at 15 °C	 2 x 10 ⁻⁴ mbar 2 x 10 ⁻⁴ mbar 3 x 10 ⁻⁴ mbar	Water cooling while pumping high concentrations of argon is not recommended
Maximum continuous backing pressure (light gas pumping) †† Forced air cooled, 30 °C ambient Forced air cooled, 35 °C ambient Water cooling at 15 °C	 12 mbar 7.5 mbar 15 mbar	
Maximum continuous backing pressure (argon) †† Forced air cooled, 30 °C ambient Forced air cooled, 35 °C ambient Water cooling at 15 °C	 5 mbar 3.5 mbar 8 mbar	Water cooling while pumping high concentrations of argon is not recommended
Operating attitude Nominal rotational speed Start time to 90% speed: EXC250 EXC300 EXDC160	 Any 50000 rpm < 8 minutes < 8 minutes < 8 minutes	

Table 5 - Technical data (continued)

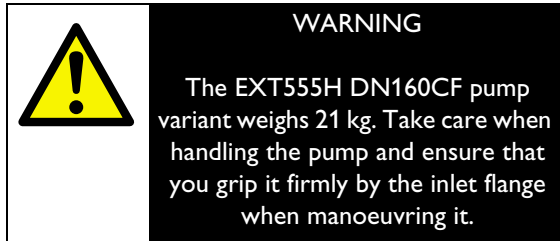
EXT555H

Parameter	EXT555H	Notes
Cooling method	forced air / water	
Ambient air temperature for forced air cooling	0 °C - 35 °C	
Minimum cooling water flow rate (water at 15 °C)	15 l h ⁻¹	
Water temperature	10 °C - 20 °C	
Noise level at 1 metre	<60 dBA	
Recommended controllers	EXC250, EXC300, EXDC160	
Quiescent power consumption	35 W	
* Pumping speeds are without inlet screen or inlet strainer (EXT555Hi) Inlet screens and inlet strainers reduce pumping speed by about 20%		
** Pb = backing pressure		
† Pumping speed has dropped by 10%		
†† Above this pressure the rotational speed of the pump drops below nominal		

Table 5 - Technical data (continued)

3 INSTALLATION

3.1 Unpack and inspect



Take care when you unpack the pump to avoid excessive shocks which could damage the bearings and reduce the life of the pump. The pump is supplied with the inlet and the outlet sealed to prevent entry of dust and vapour. Do not remove these seals until you are ready to install the pump on your vacuum system.

Remove all the outer cardboard packaging and check the pump. If the pump is damaged, notify your supplier and carrier in writing within three days; state the item number of the pump together with your order number and your supplier's invoice number. Retain all the packing materials for inspection. Do not use the pump if it is damaged.

Check that your package contains the items listed in Table 6. If any of these items is missing, notify your supplier in writing within three days.

If the pump is not to be used immediately, store the pump in suitable conditions as described in Section 6.1.

It is advised that you retain all packing materials for use should you return the pump for service.

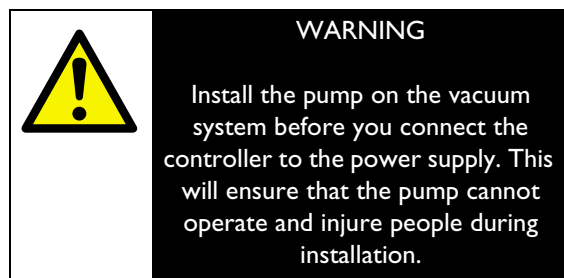
3.2 Typical installation

A typical pump system with an EXT555H pump is shown in Figure 1.

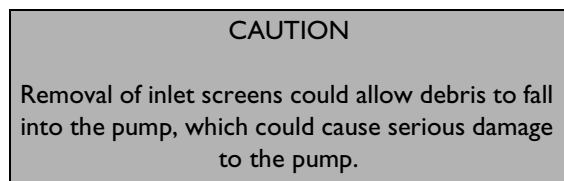
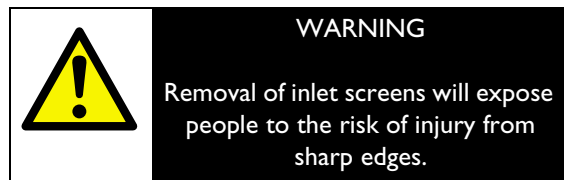
The accessories available for the EXT555H pump are detailed in Section 7.4. The accessories are shown in Figure 5.

3.3 Connection to the vacuum system

Carefully remove the pump from packaging media and connect to the vacuum system.

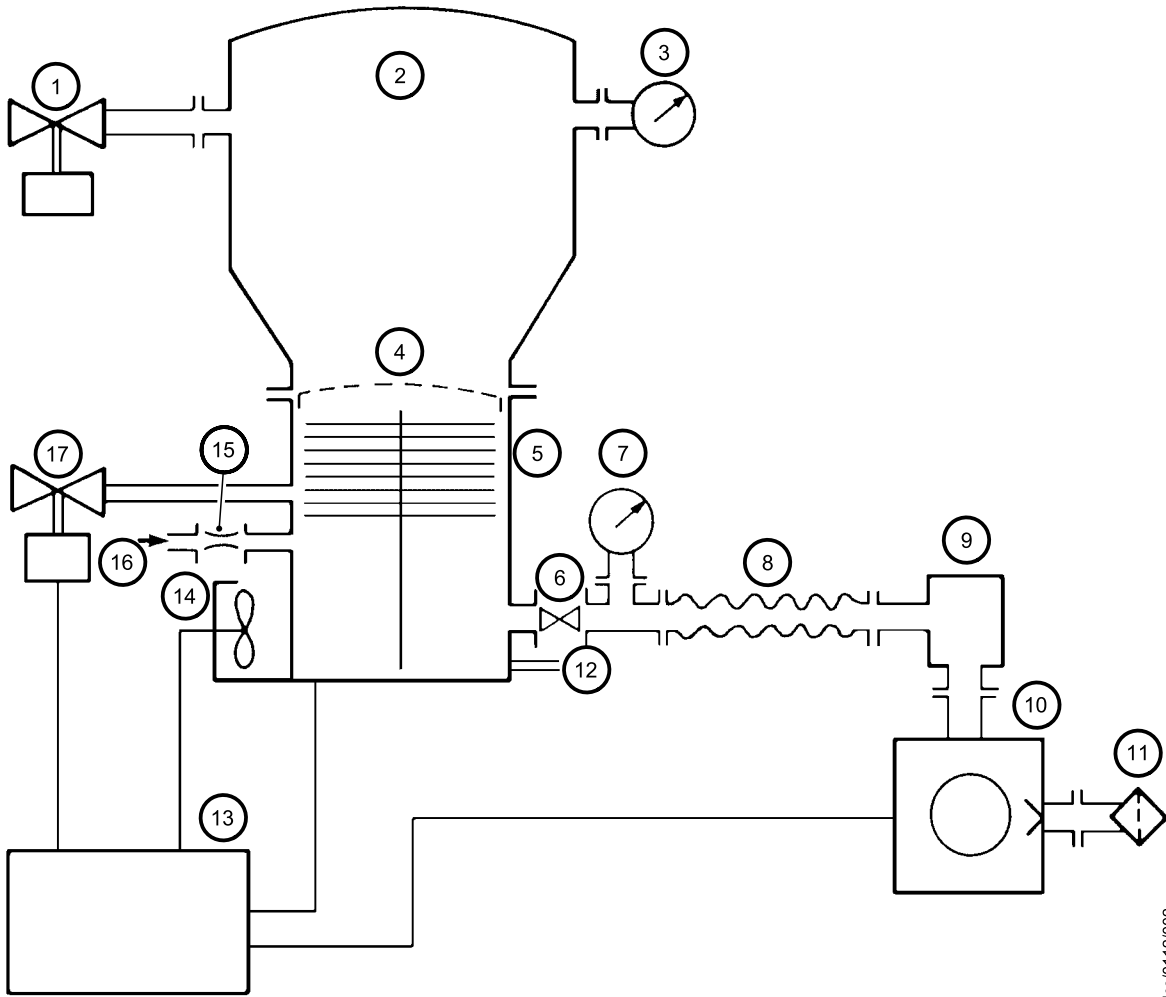


3.3.1 Inlet screens (supplied fitted)



Qty	Description
1	EXT555H turbomolecular pump
1	Inlet screen (fitted)
1	Inlet seal (trapped 'O' ring, co-seal or copper compression gasket)
1	Inlet strainer (EXT555Hi only, fitted in the interstage port)

Table 6 - List of items supplied



dcsl/0112/002

- | | | |
|--|-------------------------|--------------------------------|
| 1. Alternative position for vent-valve | 6. Backing valve | 12. Cooling water connectors |
| 2. Vacuum system | 7. Vacuum gauge | 13. EXC controller |
| 3. High-vacuum gauge | 8. Flexible bellows | 14. Air cooler |
| 4. Inlet-screen | 9. Foreline trap | 15. PRX10 purge restrictor |
| 5. EXT pump | 10. Rotary backing pump | 16. Regulated purge gas supply |
| | 11. Mist filter | 17. Vent-valve |

Figure 1 - Typical pumping system

Do not remove inlet screens unless you can be sure that there is no danger that debris can fall into the pump. If the inlet screens are removed, the pumping speed through the inlet will increase by approximately 20%.

To remove the inlet screen, undo the three screws ('A') which hold it down (Figure 2). If you need to replace the inlet screen, do so by undoing these screws, changing the inlet screen, and replacing the screws. Ensure that screws are firmly tightened.

CAUTION

Do not remove the three screws which retain the locking plate ('B' in Figure 3). If you do so the pump settings may change and the pump may cease to operate or have a shortened life.

3.3.2 Inlet connection



WARNING

Ensure that the EXT555H pump is securely fixed to the vacuum system following the instructions below. If you do not, and the pump seizes, the stored energy of the rotor can cause rapid movement of the pump, which may cause injury to people and further damage to equipment.

Ensure that the EXT555H pump is securely fixed to the vacuum system following the instructions below.

Make sure that the pump inlet and all components fitted to the pump inlet are clean and dust free. If the pump inlet is not kept clean the pump down time may be increased.

Use the vacuum seal provided with the pump.

If you are using an EXT555H ISO160 pump, connect it to the vacuum system using an ISO160 rotatable flange with a full complement of bolts. Alternatively use at least 8 claw clamps.

If you are using an EXT555H DN160CF, use a full complement of 20 M8 bolts to attach the pump to your vacuum system.

If the inlet flange of the EXT555H is not connected to a rigid, firmly fixed vacuum system, ensure that the base of the pump is fixed to a firm support. Remove the four feet and secure the pump using eight M8 screws through the tapped fixing holes in the base of the pump. If you are using a WCX555 water cooling accessory, mount through the cooling plate into the tapped holes on the base of the pump.

If the pump inlet is connected to the vacuum system using a vibration isolator, use the tapped fixing holes in the base of the pump to secure the pump to a firm support as described above. Alternatively, fit suitable restraints to prevent movement of the pump and fracture of the vibration isolator in the unlikely event of a seizure of the pump rotor.

The pump can be mounted in any orientation. If it is mounted off-vertical, ensure that the backing port points downwards to reduce the risk of contamination from backing pump oil.

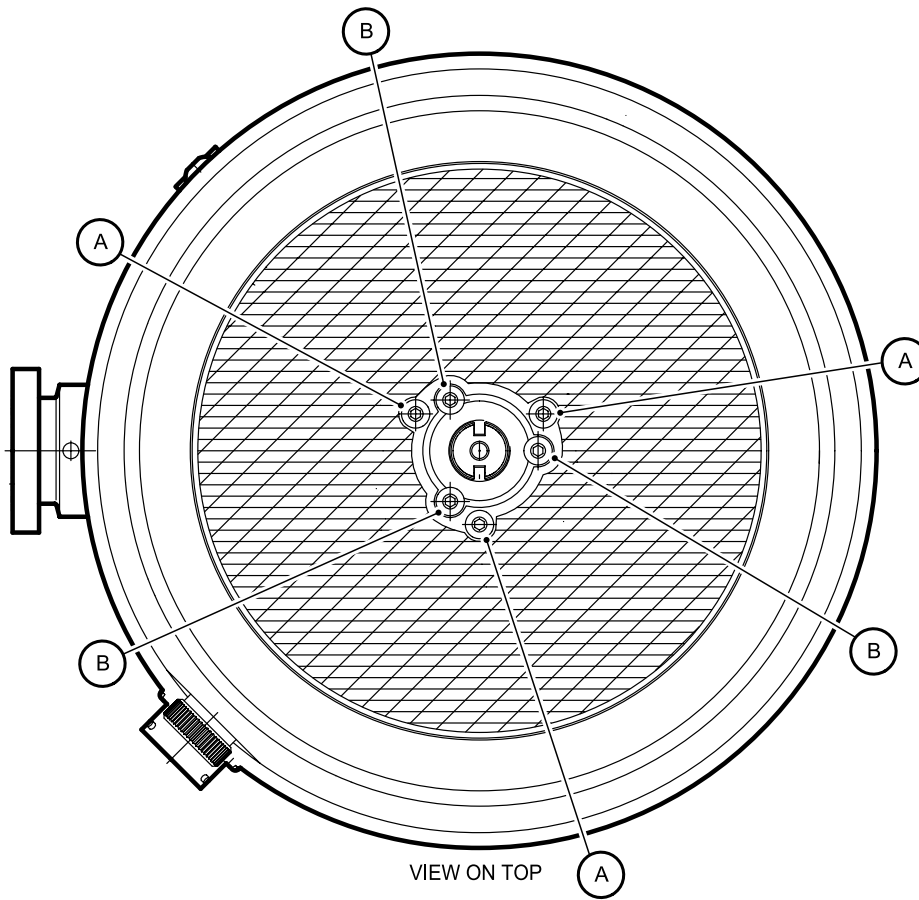
3.3.3 Backing connection

Use suitable vacuum tubing and connectors to connect the NW flange of the backing port to your backing pump. If necessary use flexible pipe or bellows to reduce the transmission of vibration from the backing pump to the EXT555H pump.

We recommend that you use a BOC Edwards RV backing pump. The minimum size of the backing pump required is given in Table 5. You may have to use a larger backing pump if you run the pump at a high inlet pressure or high throughput, or if you purge the pump.

CAUTION

If you back the EXT555H pump with the interstage of another turbomolecular pump, make sure that the backing pressure does not fall below 5×10^{-4} mbar (5×10^{-2} Pa). Lower backing pressures will increase the evaporation rate of the lubricant and so will reduce the life of the bearings.



dcs/0112/003

Figure 2 - Diagram of inlet screen - remove screws 'A' in order to remove the inlet screen. Do not remove screws 'B'

3.3.4 Interstage connection (Hi pump variants only)

Use suitable vacuum tube and connectors to connect the interstage port to your vacuum system or to the outlet flange of another turbomolecular pump. Leave the inlet strainer in the interstage port unless you are sure that debris cannot be drawn into the interstage port.

3.4 Vent options, vent valve connection and control

To maintain the cleanliness of your vacuum system we recommend that, whenever you switch the pump off, you vent the pump or the vacuum system when the speed of the EXT555H pump is between full rotational speed and 50% of full rotational speed. At and above 50% of full rotational speed the rotor spins fast enough to suppress any hydrocarbon oil from your backing pump. Venting may be accomplished by one of the following methods:

- Use a TAV5 or TAV6 solenoid vent valve accessory (see Section 7) in place of the manual vent valve.
- Use a TAV5 or TAV6 solenoid vent valve connected to a convenient flange on your vacuum system.
- Use an alternative valve connected to your vacuum system.

The maximum rate of pressure rise is given in Figure 3.

CAUTION

You must ensure that your vacuum system cannot suddenly be vented to atmosphere when the pump is running at full rotational speed - if it does so then the EXT555H pump may suffer a catastrophic failure. As the inlet screen is not designed to contain pump components in the event of a catastrophic failure, subsequent damage may result to the connected vacuum system.

CAUTION

If you vent the pump when it is at full rotational speed and the rate of pressure rise is too high the pump bearing life may be reduced.

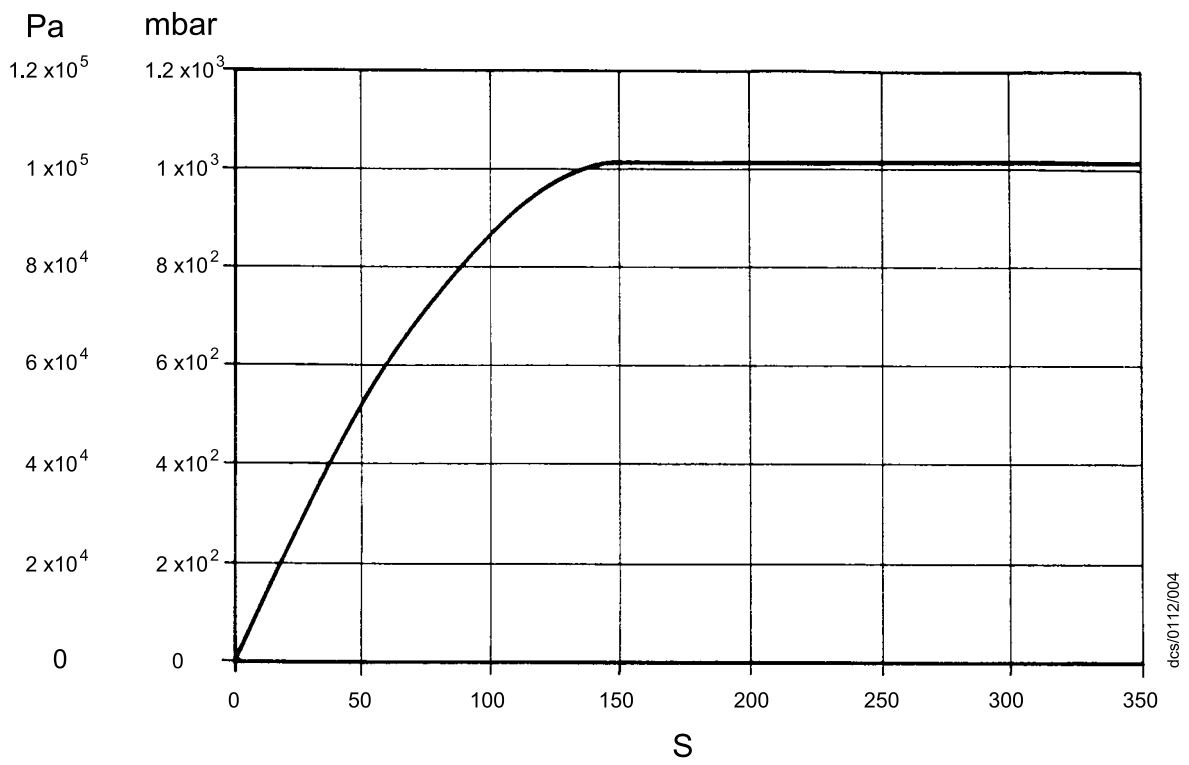
When using the manual vent valve supplied you must only open the vent valve when the rotational speed of the EXT555H pump has fallen to 50% of full rotational speed.

If you use a TAV vent valve or other solenoid vent valve, you should only use the vent valve to vent the pump from full speed if the vacuum system has a volume of 20 litres or more. If the system has a volume of less than 20 litres you should incorporate a suitable restrictor (see below and Table 7). Alternatively, if you are using an EXC controller to operate the vent valve, you can configure the valve so that it opens once the pump has reached 50% of full rotational speed.

Do not vent from the backing line as this may lead to contamination. If you vent into your vacuum system, select a point upstream of the pump to prevent oil backstreaming from the backing line.

Vacuum system volume (litres)	Orifice diameter (mm)
< 20	< 1.0
< 10	< 0.7
< 5	< 0.5
< 2	< 0.35

Table 7 - Vent restrictor orifice diameter (with atmospheric pressure at the inlet)



dcsl0112/004

Figure 3 - Maximum rate of pressure rise when venting

If you use the TAV5 or TAV6 vent valve you can control it using an EXC controller or by other methods. Table 7 gives an indication of the appropriate size of orifice to be fitted to the vent valve for given vacuum system volumes in order that the vent rate is kept within the limits given in Figure 3.

Refer to Section 2 for information on vent gas specification.

3.5 Purge gas connection

3.5.1 Connect the purge gas

If you want to supply a purge gas to the pump, fit a vent port adapter (see Section 7) in place of the blank plug (item 6, Figure 4). Connect your gas supply to the purge port. Your purge gas must comply with the specification given in Section 2.

You must limit the purge gas flow rate to the allowed range, also specified in Section 2. To limit the flow rate use a flow controller or a pressure regulator and calibrated flow restrictor. The PRX10 purge restrictor accessory (see Section 7) is suitable for this purpose. Adjust the PRX10 as described in the instruction manual supplied with the accessory.

3.5.2 Recommended purge gas flow

The recommended purge gas flow for typical applications is 25 sccm ($0.42 \text{ mbar l s}^{-1}$, 42 Pa l s^{-1}). This flow will protect the pump when you pump oxygen in concentrations above 20% by volume.

3.6 Electrical installation

Note: You must electrically bond the EXT555H pump to earth (ground) using the earth (ground) screw provided on the pump (item 5, Figure 4) to ensure that the pump complies with EN61010.

Always make the electrical connections to the pump after the pump has been installed on the vacuum system.

The EXC controller provides the electrical supply to the EXT555H pump through the pump-to-controller cable. Connect and lock the bayonet connectors at the ends of the cable to the mating connectors on the pump and the EXC controller (if applicable). If the cable is disconnected at either end while the pump is operating, the EXC controller output is switched off, which makes the cable safe.

The EXC controller is designed to allow a pumping system to be configured in a variety of ways, from a basic manually operated system to a fully automatic system with remote control. Refer to the instruction manual supplied with the controller to complete the electrical installation.

3.7 Cooling

3.7.1 Introduction

CAUTION

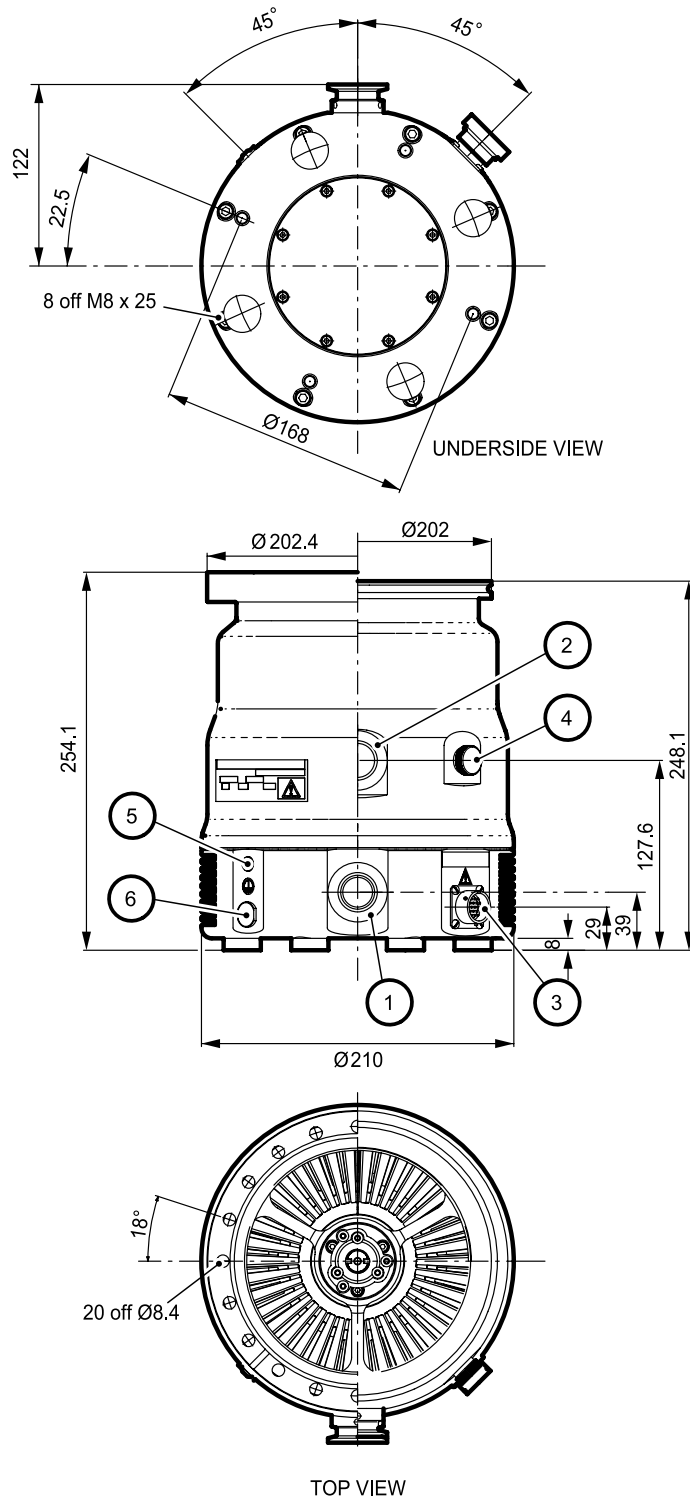
You must cool the pump by forced-air or water cooling to prevent damage to the bearing.

You must use water cooling in any of the following operating conditions:

- When backing pressure is high (see Table 5).
- When you bake the EXT pump or the vacuum system close to the pump.
- When the ambient temperature is above 35 °C.
- When there is high continuous gas throughput (see Table 5).

In all other operating conditions, you can use forced air cooling. If you use forced air cooling you must ensure that there is an adequate supply of cooling air to the pump.

EXT555H



dc5/0112/005

- | | |
|---|---------------------|
| 1. Backing port (NW25) | 5. Earth bond point |
| 2. Interstage port - Hi variants (NW25) | 6. Purge plug |
| 3. Electrical supply connector | |
| 4. Vent valve | |

Figure 4 - Dimensions and features of EXT555H pumps

3.7.2 Forced air cooling

An air cooler accessory is available for the EXT555H pump (see Section 7). Fit the air cooler as described in the instructions supplied with it. If you wish to use alternative air cooling, ensure that the flow rate is above $280 \text{ m}^3 \text{ h}^{-1}$ (80 l s^{-1} , 160 cfm).

3.7.3 Water cooling

A water cooling accessory is available for the EXT555H pump (see Section 7). Fit the water cooler as described in the instructions supplied with it. It is not necessary to use thermal contact grease with this water cooling accessory.

CAUTION

To prevent excessive thermal gradients from developing across the bearing, do not use thermal transfer paste between the water-cooling accessory and the turbo-pump body.

CAUTION

Where possible, if you need to pump argon you should avoid water cooling the pump, in order to avoid excessive thermal gradients from developing across the bearing.

If you must water cool while pumping argon (for example if you are required to bake the pump) then you must ensure that you limit the inlet pressure and backing pressure according to the values given in Table 5.

The cooling water must comply with the specification given in Section 2.5. Pipes in the water cooling circuit may become blocked if the cooling water contains too much calcium carbonate or if it contains particulates which are too large. Corrosion of the water cooling circuit may occur if there is too little calcium carbonate or oxygen in the water. Good quality drinking water is usually suitable for water cooling. If in doubt you must check the quality of your cooling water supply and, if necessary, provide treatment and filtration.


Connect the cooling water supply to the water cooler as described below. Either of the ruffled connectors can be used for the water supply or return connections.

1. Push reinforced hose (approximately 6 mm internal diameter) over the ends of the ruffled hose connectors on the water cooler.
2. Attach the hose with strong hose clips and make sure that they are tightened securely.
3. If the pump is mounted off the vertical, ensure that the water cooling plate connectors are positioned below the electrical connector so that any leaking water does not drip onto it.

You must turn off the cooling water supply when you switch off the pump to prevent condensation of vapours inside the pump. EXC controllers can operate a solenoid valve for this purpose. Refer to the controller manual for details.

If you want to remove the pump for maintenance but do not want to break the cooling water circuit, unscrew the fixing screws and remove the water cooler from the pump.

4 OPERATION

	<p style="text-align: center; margin: 0;">WARNING</p> <p>Do not operate the EXT555H pump unless it is connected to your vacuum system. If you do the pump rotor can cause injury. The pump rotor rotates at very high speeds and the rotating blades might not be visible.</p>
---	---

4.1 Start up

Use the following procedure to start up a basic manually controlled pumping system with a manual vent valve and an EXC250 or EXC300 controller. Refer to the controller instruction manual.

1. Turn the manual vent valve clockwise to close it.
2. Turn on the cooling water supply (if cooling water is used) or switch on the power supply to the air cooler.
3. Start the backing pump.
4. When the vacuum system pressure is 10 mbar or less, use the controller start/stop button or the appropriate signal command to the controller to start the pump.
5. The pump will accelerate to full operating speed. When this has been reached the 'normal' indicator LED on the controller will light up.

4.2 Stand-by

The EXC250 controller has a 95% speed standby option - this can be used to stop 'beating' between two EXT555H pumps on a system. Refer to the controller manual for details.

The EXC300 also has a standby option, operated using the standby button on the front of the controller. This runs the pump at 70% rotational speed. This can be used to allow system pressure to increase where this suits a particular process. However, you should not run the pump in this mode for long periods of time, as the pump is not designed to be run at this speed for its lifetime.

4.3 Shut-down

Use the procedure below to shut down a basic, manually controlled pumping system with a manual vent valve and an EXC controller. Refer to the EXC controller instruction manual if the backing pump and accessories are controlled by the EXC controller.

1. Close the valve in the backing line connecting the EXT555H pump to the backing pump.
2. Press the start/stop button on the EXC controller to switch off the EXT555H.
3. When the EXT555H speed has fallen to 50% of full rotational speed, turn the manual vent valve anticlockwise to open it. Ensure that the rate of pressure rise does not exceed the allowed rate of pressure rise otherwise you can damage the pump - refer to Sections 3.4 and 2.3.
4. If water cooling is in use, turn off the cooling water supply.

4.4 Safety interlocks and control system

The pump protection and safety interlock features are listed below. Refer to the EXC controller instruction manual for a full description of these features.

- The EXC controller monitors the temperature of the EXC pump and the electrical power consumption of the pump. If the EXC controller detects excessive power consumption or temperature, the rotational speed of the pump rotor is reduced until the power and temperature return to normal.

- If the rotational speed is reduced to 50% of nominal speed, then the pump is stopped immediately (or after a user defined time delay) and the Fail LED on the EXC controller lights.
- If pump rotational overspeed is detected by the EXC Controller, the pump is stopped immediately and the FAIL LED on the EXC Controller lights.

Typically, a bakeout of four hours is long enough to remove water condensation from the pump. However, the bakeout time will depend on the amount of condensation in the pump and the vacuum system, and the ultimate pressure you want to achieve.

If the Fail LED lights, switch off the backing-pump immediately and vent the EXT pump. Once the EXT pump has stopped, rectify the cause of the failure (refer to Section 5.4), press the EXC Controller Start/Stop button to reset the Fail condition, and restart the EXT pump. If the pump is hot, allow sufficient time for it to cool before you restart it.

4.5 Bakeout (conflat only)

CAUTION

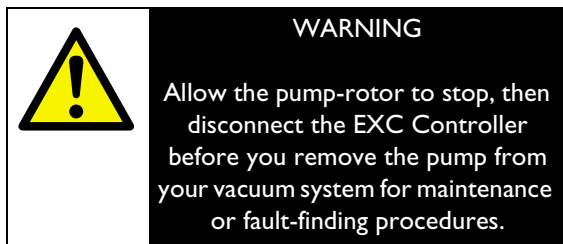
When you bake the EXT555H pump to above 70 °C at the inlet-flange, you must cool the pump by water-cooling, to prevent damage to the bearing lubricant.

If you heat your EXT555H pump (and your vacuum system), you will speed up the degassing process so that the pump will reach ultimate vacuum in the shortest possible time. If you heat the pump, this will also prevent condensation of vapours inside the pump.

You can use the Edwards BX bakeout band to heat the pump (refer to Section 7). Fit the band around the pump, just below the inlet-flange. When you bake the pump or the system, make sure that the temperature of the inlet-flange does not exceed 100 °C.

If you bake your vacuum system and the temperature of the system exceeds 110 °C, you must put a radiation shield between the system and the EXT555H pump. This radiation shield will reduce the heat radiated onto the pump rotor.

5 MAINTENANCE



5.1 Introduction

The maintenance operations for the EXT555H Turbomolecular pumps are described in the following sections. The inlet-screen, the WCX water-cooler accessory, the inlet-strainer and inlet-flange seals are available as spares (refer to Section 7). Fit the ISX inlet-screen as described in Section 3.3.1. Fit the WCX water-cooler as described in Section 3.7.3.

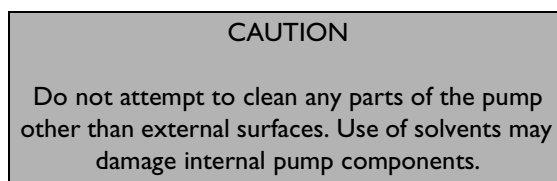
5.2 Bearing maintenance

When supplied, the pump contains sufficient lubricant to supply the bearings for life. No routine maintenance is therefore required between bearing replacements. The bearings are not user-serviceable. The bearings will need to be replaced when they reach the end of their service life. This is typically more than 20,000 hours, but may be less; this depends on the type of pumping duty on which the pump is used.

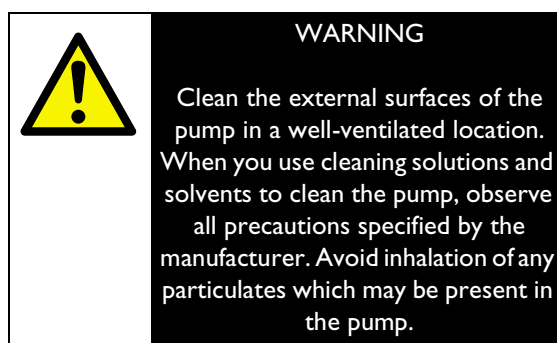
When the bearings need replacement, we recommend that you exchange your pump for a factory reconditioned replacement. Alternatively, you can send your pump to an Edwards Service Centre to have the bearings replaced.

When you return EXT555H pumps to Edwards Service Centres please use the procedure included at the end of this manual.

5.3 Clean the pump



If the EXT555H pump is contaminated inside, it may not be possible to achieve the specified ultimate vacuum, or pump-down time may increase. The pump should be returned to a BOC Edwards Service Centre where the pump will be dismantled and cleaned. Use the procedure included at the end of this manual.



You can use any organic solvent to clean the external surfaces of your pump. We recommend that you use non-CFC solvents, such as isopropanol or ethanol. Use a cleaning solution which is suitable for the contaminants on the pump surfaces.

For environmental reasons, keep wastage of cleaning solutions and solvents to a minimum.

5.4 Fault finding

Refer to Table 8 for the possible causes of faults and for the recommended actions to rectify faults. Table 8 is applicable to a basic, manually controlled pumping system with an EXC Controller configured for local (manual) operation.

Note that if you use an EXC Controller configured for remote operation to control the EXT555H pump, or if you use an EXDC Pump Drive Module to control the EXT555H pump, some of the checks and actions in Table 8 may not apply to your system.

EXT555H

Refer to the fault finding section of the instruction manual supplied with your EXC Controller or EXDC Pump Drive Module for further fault finding information.

Symptom	Check	Action
The pump does not rotate. After pressing start - Fail LED not lit.	<p>Is the EXC Controller power LED lit?</p> <p>Is the EXC Controller Start/Stop LED flashing?</p> <p>Is the EXC Controller first speed indication LED lit?</p>	<p>If not, check that the electrical supply is on, check that the switch at the rear of the EXC Controller is on, check the fuse in the rear of the EXC Controller.</p> <p>If all of the above are OK then the EXC Controller is faulty. Consult Edwards or your supplier.</p> <p>If so, check that the correct links are made on the EXC Controller logic interface (refer to the instruction manual supplied with the EXC Controller).</p> <p>Check that any system interlocks are correctly made (refer to the instruction manual supplied with the EXC Controller).</p> <p>Check that the pump-to-controller lead is connected.</p> <p>If all the above checks are OK then consult BOC Edwards or your supplier.</p> <p>If not, the EXC Controller is faulty. If lit, then the EXT pump is faulty. Consult BOC Edwards or your supplier.</p>
The EXC Controller trips into Fail - at any speed.	Are the system interlocks correctly connected?	Ensure that the system interlocks do not open after the EXT pump has started.
The EXC Controller trips into Fail during the ramp-up and before 50% speed is reached.	<p>Is the inlet pressure too high? Is the backing pressure too high?</p> <p>Is the EXT pump running too hot?</p>	<p>If so, reduce the pumping load, or check for a gross leak into the system.</p> <p>Increase the cooling or decrease the gas load. (Refer to Section 2 for maximum inlet pressure and cooling requirements). Check that external heat sources (such as system bakeout heaters) are not excessive.</p>

Table 8 - Fault finding

EXT555H

Symptom	Check	Action
	Does the rotor rotate freely? Is the timer set incorrectly?	If not, the EXT pump-bearings are damaged. Consult Edwards or your supplier. Increase the timer setting (refer to the instruction manual supplied with the EXC Controller). If the EXC Controller still trips into Fail consult Edwards or your supplier.
The EXC Controller trips into Fail after 50% speed has been reached - the first two speed LEDs are lit.	Is the pressure too high? Is the EXT pump running too hot? Does the rotor rotate freely?	If so, reduce the pumping load or check for a gross leak into the system. If the high gas load is temporary, configure the EXC Controller to delay the Fail trip on 50% speed and set an appropriate delay time (refer to the instruction manual supplied with the EXC Controller). Increase the cooling to the pump or decrease the gas load. If not, the EXT pump-bearings are damaged. Consult Edwards or your supplier.
The EXC Controller trips into Fail - all the speed LEDs are lit	-	Consult BOC Edwards or your supplier.
Ultimate pressure cannot be reached.	Is the pressure limited by water vapour? Are any of the vacuum gauges contaminated? Is the pumping speed insufficient (due to poor conductance between the pump and the gauge or too large a chamber)? Is the backing pressure > values given in Table 7? Is the high-vacuum area of the system contaminated? Check the rest of your system for leaks and contamination.	Bake the system and pump. If so, clean or replace them. Increase the conductance or reduce the volume. Check for backing line leaks. If the backing pressure is too high, you may need a larger backing-pump. If so, clean the high-vacuum system. If found, clean the contaminated areas and repair the leaks.

Table 8 - Fault finding (continued)

EXT555H

Symptom	Check	Action
	Remove the pump from the system and test the ultimate pressure of the pump alone (see Section 3 for specification).	If poor, check the pump for contamination and if necessary clean as described in Section 5.3. Leak-check the pump. If the leak rate $> 10^{-7}$ mbar l s ⁻¹ (10^{-5} Pa l s ⁻¹) consult BOC Edwards or your supplier.
The EXT is very noisy or there is excessive vibration or both.	<p>Is the pump rotational speed the same as the resonant frequency of the attached system?</p> <p>Is the vibration being transmitted from the rotary pump?</p> <p>Is the noise irregular and getting progressively worse?</p> <p>Is the EXT making a constant high-pitched noise?</p>	<p>If so, change the natural frequency of your system or isolate the pump using flexible bellows.</p> <p>If so, fit flexible bellows or a vibration isolator in the backing line.</p> <p>If so, a bearing is defective. Switch off the pump and consult Edwards or your supplier.</p> <p>If so, the rotor might be out of balance. Consult Edwards or your supplier.</p>
None of the above.	-	Consult Edwards or your supplier.

Table 8 - Fault finding (continued)

6 STORAGE AND DISPOSAL

6.1 Storage

Use the following procedure to store the pump.

1. Place protective covers over the inlet, outlet, interstage (EXT555Hi only), purge and vent ports.
2. Place the pump in its packing materials. For fastest pump-down when the pump is put back into service, seal the pump inside a plastic bag together with a suitable desiccant.
3. Store the pump in cool, dry conditions until required for use. When required, prepare and install the pump as described in Section 3.
4. Avoid long-term storage if possible. When long-term storage is necessary, the pump should be set up and run for at least eight hours every six months.

6.2 Disposal

Dispose of the EXT555H Turbomolecular Pump and any components and accessories safely in accordance with all local and national safety and environmental requirements.

Particular care must be taken with any components which have been contaminated with dangerous process substances.

Take appropriate action to avoid inhalation of any particulates which may be present in the pump.

Do not incinerate the pump. The pump contains phenolic and fluorosilicone materials which can decompose to very dangerous substances when heated to high temperatures.

7 SERVICE, SPARES AND ACCESSORIES

7.1 Introduction

BOC Edwards products, spares and accessories are available from BOC Edwards companies in Belgium, Brazil, Canada, France, Germany, Hong Kong, Italy, Japan, Korea, Switzerland, United Kingdom, USA and a worldwide network of distributors. The majority of these employ service engineers who have undergone comprehensive BOC Edwards training courses.

Order spare parts and accessories from your nearest BOC Edwards company or distributor. When you order, please state for each part required:

- Model and Item Number of your equipment
- Serial number (if any)
- Item Number and description of the part

7.2 Service

BOC Edwards products are supported by a worldwide network of BOC Edwards Service Centres. Each Service Centre offers a wide range of options including: equipment decontamination; service exchange; repair; rebuild and testing to factory specifications. Equipment which has been serviced, repaired or rebuilt is returned with a full warranty.

Your local Service Centre can also provide BOC Edwards engineers to support on-site maintenance, service or repair of your equipment.

For more information about service options, contact your nearest Service Centre or other BOC Edwards company.

7.3 Spares

7.3.1 ISX inlet-screen

An inlet-screen is fitted to your pump as supplied to prevent damage from the entry of debris into the pump. The Item Numbers of replacement inlet-screens are given below. There are two mesh sizes available - fine and coarse. Select the mesh size appropriate to your requirements. The fine mesh (1 mm hole size) provides better protection against falling objects e.g. fine pieces of filament, small grub screws. The coarse mesh (2 mm hole size) gives better pumping performance. The coarse inlet screen is provided as standard.

Flange size	Inlet-screen	Item Number
DN160ISO-K/DN160CF	Inlet screen (coarse)	B580-51-007
	Inlet screen (fine)	B580-51-008

Table 9 - ISX inlet-screen

7.3.2 Inlet-strainer (EXT555Hi pump only)

The EXT555Hi pump is supplied with an inlet-strainer for the interstage-port. The Item Number of a replacement inlet-strainer is given below.

Flange size	Item Number
NW25ISO-K	A223-05-067

Table 10 - Inlet-strainer (EXT555Hi pump only)

7.3.3 Inlet-flange seals

EXT pumps are supplied with an inlet seal. The Item Numbers of replacement seals are given below.

Inlet-flange	Inlet seal	Item Number
DN160ISO-K	ISO100 trapped 'O' ring, fluoroelastomer	B271-58-172
DN160CF	Copper compression gasket (pack of 5)	C083-00-003

Table 11 - Inlet-flange seals

7.4 Accessories

7.4.1 Installation

The accessories available for use with the EXT555H turbomolecular pumps are described in the following Sections. Figure 5 shows how the accessories are fitted to an EXT pump.

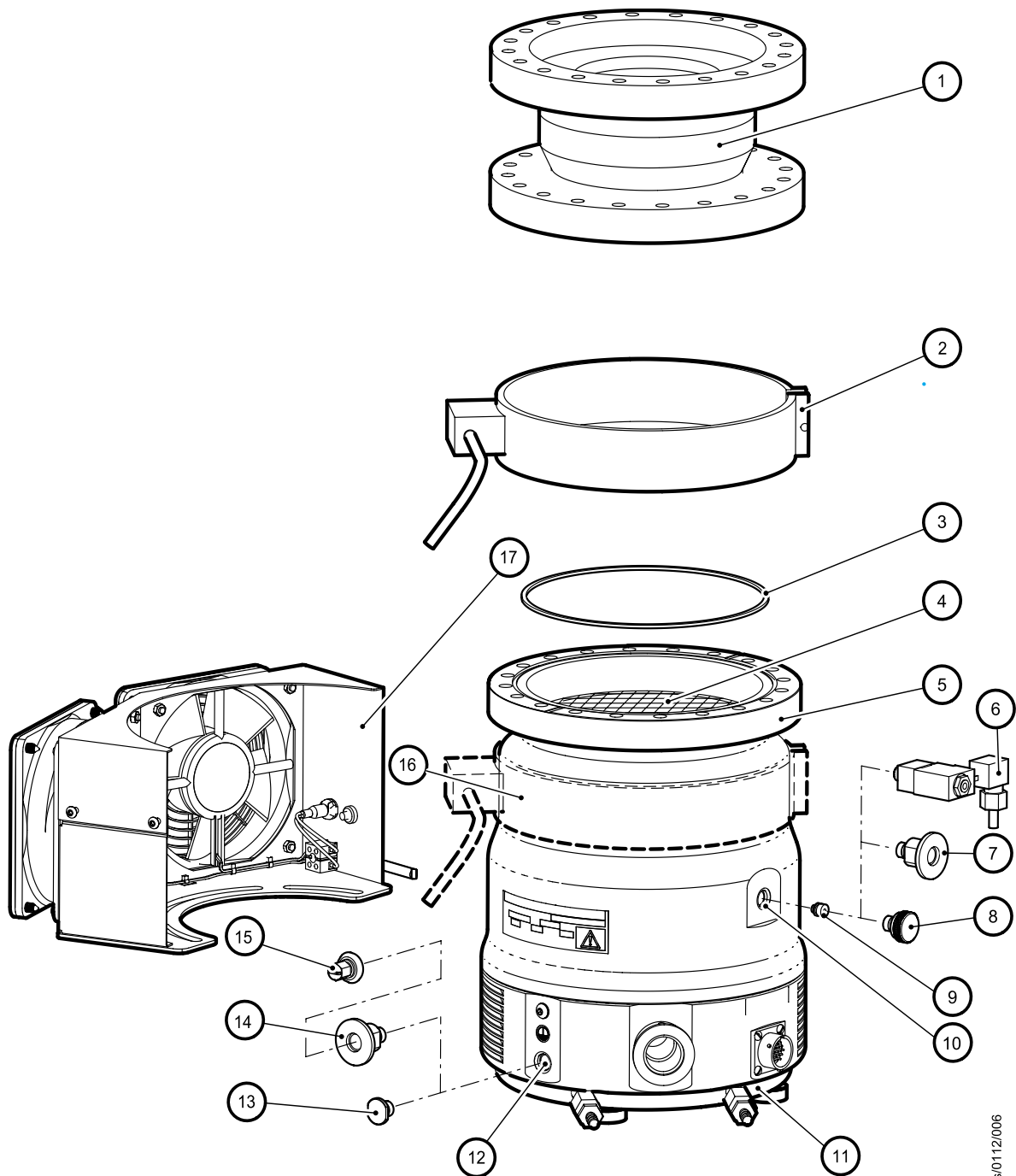
7.4.2 EXC controller

The Edwards EXC Controllers provide the facilities necessary for operating a pumping system based on an EXT255H or EXT255Hi pump. The Item Numbers of the EXC Controllers are given below.

Controller	Voltage	Item Number
EXC250E	90 - 264 V ac	D396-36-000
EXC250L	90 - 264 V ac	D396-35-000
EXC300	90 - 132/180 - 264 V ac	D396-14-000

Table 12 - EXC controller

EXT555H



dcsl0112/006

- | | | |
|---------------------------------|--|-----------------------------|
| 1. Vibration isolator | 8. Manual vent valve (fitted) | 13. Purge plug (fitted) |
| 2. Bakeout band | 9. VRX vent restrictor | 14. DN10NW adaptor |
| 3. Inlet flange seal (supplied) | 10. Vent port (supplied with manual vent valve fitted) | 15. PRX purge restrictor |
| 4. Inlet screen (fitted) | 11. WCX water cooling accessory | 16. Bakeout band position |
| 5. EXT555H pump | 12. Purge port | 17. ACX air cooler assembly |
| 6. TAV solenoid vent valve | | |
| 7. DN10NW adaptor | | |

Figure 5 - Installation of EXT555H optional accessories and spares

7.4.3 Pump-to-controller cable

You must fit a pump-to-controller cable between an EXC Controller and the EXT pump. A cable is not supplied with the EXT Pump or the EXC Controller (except EXC250L). The following cables are available:

Cable	Length	Item Number
Pump-to-controller	1 m	D396-18-010
Pump-to-controller	3 m	D396-18-030
Pump-to-controller	5 m	D396-18-050

Table 13 - Pump-to-controller cable

7.4.4 EXDC drive modules

Fit an EXDC Drive Module as an alternative to an EXC Controller and pump-to-controller cable.

Drive module	Item Number
EXDC160	D396-41-000

Table 14 - EXDC drive modules

7.4.5 BX bakeout band (conflat only)

A BX bakeout band accelerates the degassing of the pump to enable it to achieve lower pressures. It may also be used to protect the pump from condensation of contaminants. The bakeout bands are available in 110-120 V or 220-240 V versions and may be powered from a rear panel socket on the EXC Controller.

Pump	Bakeout band	Item Number
EXT555H/Hi DN160CF	BX501 (110 V)	B580-52-044
	BX501 (240 V)	B580-52-064

Table 15 - BX bakeout band

7.4.6 FL20K foreline trap

The foreline trap minimises oil vapour backstreaming from the backing pump and is recommended where the highest system cleanliness is required.

Foreline trap	Item Number
FL20K	A133-05-000

Table 16 - FL20K foreline trap

7.4.7 TAV vent-valve and vent-port adaptor

Two solenoid-operated vent-valves are available for system venting. The valves are 24 V dc, normally-open, and can be driven automatically from the EXC Controller. The solenoid-valve is fitted in place of the manual-valve, or alternatively can be fitted with an adaptor (supplied with the valve) and be used with any suitable NW10 flanged port on your vacuum system.

The vent-port adaptor allows the vent-port or the purge-port to be used with any suitable NW10 fitting: refer to Figure 5.

Product	Item Number
TAV5 vent-valve	B580-66-010
TAV6 vent-valve	B580-66-020
NW10-1/8 inch BSP male adaptor	B580-66-011

Table 17 - TAV vent-valve and vent-port adaptor

7.4.8 ACX air-cooler

An ACX air-cooler can be fitted to the EXT pump. However, please refer to Section 3.7 and to Table 5 to check the suitability of air-cooling in a particular application.

Pump	Air-cooler	Item Number
EXT555H/Hi	ACX555	B580-53-561

Table 18 - ACX air-cooler

7.4.9 WCX water-cooler

If you wish to water cool your pump, you must order the water cooling plate:

Water cooler	Item Number
WCX555	B580-67-003

Table 19 - WCX water-cooler

7.4.10 Vibration isolators

In applications where the small amount of vibration generated by the turbomolecular pump is a problem, a vibration isolator can be fitted. The isolator consists of two special flanges separated by a flexible bellows and a rubber, anti-vibration, outer collar. The isolator required depends on the pump inlet-flange size.

Inlet-flange size	Item Number
DN160ISO-K	B581-25-000
DN160CF-K	B581-10-000

Table 20 - Vibration isolators

7.4.11 PRX purge-restrictor

A modified DN10NW centring-ring is available to filter the purge gas and restrict its flow rate to the recommended flow of 25 sccm. The restrictor is suitable for all EXT pumps fitted with a purge-port.

Purge-restrictor	Flange size	Item Number
PRX10	NW10	B580-65-001

Table 21 - PRX purge-restrictor

7.4.12 VRX vent-restrictor

Use a VRX fixed orifice vent-restrictor to restrict the flow of vent gas into the EXT pump. Refer to Section 3.4 for information on the selection of the correct VRX vent-restrictor.

Vent-restrictor	Orifice diameter (mm)	Item Number
VRX10	0.1	B580-66-021
VRX20	0.2	B580-66-022
VRX30	0.3	B580-66-023
VRX50	0.5	B580-66-024
VRX70	0.7	B580-66-025

Table 22 - VRX vent-restrictor

Return of Edwards Equipment - Procedure

(Form HS1)

Introduction

Before you return your equipment you must warn your supplier if the substances you used (and produced) in the equipment can be dangerous. You must do this to comply with health and safety at work laws.

You must complete the Declaration (HS2) on the next page and send it to your supplier before you dispatch the equipment. If you do not, your supplier will assume that the equipment is dangerous and he will refuse to accept it. If the Declaration is not completed correctly, there may be a delay in processing your equipment.

Guidelines

Take note of the following guidelines:

- Your equipment is '**uncontaminated**' if it has not been used or if it has only been used with substances that are not dangerous. Your equipment is '**contaminated**' if it has been used with any dangerous substances.
- If your equipment has been used with radioactive substances, you must decontaminate it before you return it to your supplier. You must send independent proof of decontamination (for example a certificate of analysis) to your supplier with the Declaration (HS2). Phone your supplier for advice.
- We recommend that contaminated equipment is transported in vehicles where the driver does not share the same air space as the equipment.

PROCEDURE

Use the following procedure:

1. Contact your supplier and obtain a Return Authorisation Number for your equipment.
2. Turn to the next page(s), photocopy and then complete the Declaration (HS2).
3. Remove all traces of dangerous gases: pass an inert gas through the equipment and any accessories which will be returned to your supplier. Drain all fluids and lubricants from the equipment and its accessories.
4. Disconnect all accessories from the equipment. Safely dispose of the filter elements from any oil mist filters.
5. Seal up all of the equipment's inlets and outlets (including those where accessories were attached). You may seal the inlets and outlets with blanking flanges or heavy gauge PVC tape.
6. Seal contaminated equipment in a thick polythene bag. If you do not have a polythene bag large enough to contain the equipment, you can use a thick polythene sheet.
7. If the equipment is large, strap the equipment and its accessories to a wooden pallet. Preferably, the pallet should be no larger than 510mm x 915mm (20" x 35"); contact your supplier if you cannot meet this requirement.
8. If the equipment is too small to be strapped to a pallet, pack it in a suitable strong box.
9. If the equipment is contaminated, label the pallet (or box) in accordance with laws covering the transport of dangerous substances.
10. Fax or post a copy of the Declaration (HS2) to your supplier. The Declaration must arrive before the equipment.
11. Give a copy of the Declaration to the carrier. You must tell the carrier if the equipment is contaminated.
12. Seal the original Declaration in a suitable envelope; attach the envelope securely to the outside of the equipment package. **WRITE YOUR RETURN AUTHORISATION NUMBER CLEARLY ON THE OUTSIDE OF THE ENVELOPE OR ON THE OUTSIDE OF THE EQUIPMENT PACKAGE.**

