

OPERATING INSTRUCTIONS

EN

Translation of the Original

MVP 160-3 Diaphragm pump

Dear Customer,

Thank you for choosing a Pfeiffer Vacuum product. Your new diaphragm pump should support you in your individual application with full performance and without malfunctions. The name Pfeiffer Vacuum stands for high-quality vacuum technology, a comprehensive and complete range of top-quality products and first-class service. From this extensive, practical experience we have gained a large volume of information that can contribute to efficient deployment and to your personal safety.

In the knowledge that our product must avoid consuming work output, we trust that our product can offer you a solution that supports you in the effective and trouble-free implementation of your individual application.

Please read these operating instructions before putting your product into operation for the first time. If you have any questions or suggestions, please feel free to contact **info@pfeiffer-vacuum.de**.

Further operating instructions from Pfeiffer Vacuum can be found in the [Download Center](#) on our website.

Disclaimer of liability

These operating instructions describe all models and variants of your product. Note that your product may not be equipped with all features described in this document. Pfeiffer Vacuum constantly adapts its products to the latest state of the art without prior notice. Please take into account that online operating instructions can deviate from the printed operating instructions supplied with your product.

Furthermore, Pfeiffer Vacuum assumes no responsibility or liability for damage resulting from the use of the product that contradicts its proper use or is explicitly defined as foreseeable misuse.

Copyright

This document is the intellectual property of Pfeiffer Vacuum and all contents of this document are protected by copyright. They may not be copied, altered, reproduced or published without the prior written permission of Pfeiffer Vacuum.

We reserve the right to make changes to the technical data and information in this document.

Table of contents

| | | |
|-----------|---|-----------|
| 1 | About this manual | 7 |
| 1.1 | Validity | 7 |
| | 1.1.1 Related documents | 7 |
| | 1.1.2 Variants | 7 |
| 1.2 | Target group | 7 |
| 1.3 | Conventions | 7 |
| | 1.3.1 Instructions in the text | 7 |
| | 1.3.2 Pictographs | 8 |
| | 1.3.3 Stickers on the product | 8 |
| | 1.3.4 Abbreviations | 8 |
| 2 | Safety | 9 |
| 2.1 | General safety instructions | 9 |
| 2.2 | Safety instructions | 9 |
| 2.3 | Safety precautions | 10 |
| 2.4 | Usage limits of the vacuum pump | 11 |
| 2.5 | Proper use | 11 |
| 2.6 | Foreseeable improper use | 12 |
| 3 | Transportation and Storage | 13 |
| 3.1 | Transporting the vacuum pump | 13 |
| 3.2 | Storing the vacuum pump | 13 |
| 4 | Product description | 14 |
| 4.1 | Identifying the product | 14 |
| 4.2 | Shipment | 14 |
| 4.3 | Vacuum pump design and function | 14 |
| 5 | Installation | 15 |
| 5.1 | Installing the vacuum pump | 15 |
| 5.2 | Connecting the pumping stages | 15 |
| 5.3 | Connecting the vacuum side | 16 |
| 5.4 | Connecting the exhaust side | 16 |
| 5.5 | Establishing an electrical connection | 17 |
| 6 | Operation | 18 |
| 6.1 | Switching on and operating the vacuum pump | 18 |
| 6.2 | Switching off the vacuum pump | 19 |
| 7 | Decommissioning the vacuum pump for long periods | 20 |
| 8 | Maintenance | 21 |
| 8.1 | General | 21 |
| 8.2 | Maintenance intervals | 21 |
| 8.3 | Dismantling the distributor | 21 |
| 8.4 | Disassembling the diaphragm head | 22 |
| 8.5 | Checking and replacing parts | 23 |
| 8.6 | Cleaning contaminated parts | 24 |
| 8.7 | Replacing the diaphragm | 24 |
| 8.8 | Replacing the valves | 26 |
| 8.9 | Installing the diaphragm head | 27 |
| 8.10 | Installing the distributor | 28 |
| 8.11 | Checking vacuum pump function | 28 |
| 9 | Troubleshooting | 30 |
| 10 | Service solutions from Pfeiffer Vacuum | 32 |

| | | |
|-----------|---|-----------|
| 11 | Spare parts | 34 |
| 12 | Accessories | 35 |
| 13 | Technical data and dimensions | 36 |
| | 13.1 General | 36 |
| | 13.2 Substances in contact with the media | 36 |
| | 13.3 Technical data | 37 |
| | 13.4 Dimensions | 38 |
| | 13.5 Characteristics | 38 |
| | Declaration of conformity | 40 |

List of tables

| | | |
|----------|--|----|
| Tbl. 1: | Abbreviations used in this document | 8 |
| Tbl. 2: | Usage limits of the vacuum pump | 11 |
| Tbl. 3: | Typical life with normal use | 21 |
| Tbl. 4: | Diaphragm attachments | 24 |
| Tbl. 5: | Troubleshooting | 31 |
| Tbl. 6: | MVP 160-3 spare parts list | 34 |
| Tbl. 7: | Accessories | 35 |
| Tbl. 8: | Conversion table: Pressure units | 36 |
| Tbl. 9: | Conversion table: Units for gas throughput | 36 |
| Tbl. 10: | Materials that make contact with the process media | 37 |
| Tbl. 11: | Technical data, MVP 160-3 | 37 |

List of figures

| | | |
|----------|---|----|
| Fig. 1: | MVP 160-3 | 14 |
| Fig. 2: | IN and EX connections on diaphragm heads | 15 |
| Fig. 3: | Distributor: Intake side distributor (left) and pressure side distributor (right) | 16 |
| Fig. 4: | Connection diagram: MVP 160-3 with single phase AC motor | 17 |
| Fig. 5: | Mains switch | 19 |
| Fig. 6: | Mains switch | 19 |
| Fig. 7: | Loosen the compression couplings on the diaphragm head | 22 |
| Fig. 8: | Dismantling both distributors | 22 |
| Fig. 9: | Disconnecting diaphragm head | 23 |
| Fig. 10: | Disassembling the diaphragm head | 23 |
| Fig. 11: | Diaphragm key (accessory) | 25 |
| Fig. 12: | Diaphragm key with inlaid diaphragm parts | 25 |
| Fig. 13: | Diaphragm and associated parts | 25 |
| Fig. 14: | Correct positioning of valves in diaphragm head | 26 |
| Fig. 15: | Valves | 26 |
| Fig. 16: | Installing the diaphragm head | 27 |
| Fig. 17: | Secure diaphragm head | 27 |
| Fig. 18: | Install both distributors | 28 |
| Fig. 19: | Screw couplings on diaphragm head | 28 |
| Fig. 20: | Dimensions in mm | 38 |
| Fig. 21: | Air pumping speed at 50 Hz | 38 |
| Fig. 22: | Air pumping speed at 60 Hz | 39 |

1 About this manual



IMPORTANT

Read carefully before use.
Keep the manual for future consultation.

1.1 Validity

These operating instructions are for customers of Pfeiffer Vacuum. They describe the function of the designated product and provide the most important information for safe usage of the product. The descriptions comply with applicable directives. All information provided in these operating instructions refer to the current development status of the product. The documentation remains valid as long as the customer does not modify the product in any way.

1.1.1 Related documents

| Designation | Document |
|---------------------------|-----------------------------------|
| Declaration of conformity | A component of these instructions |

Current documents are available from the [Pfeiffer Vacuum Download Center](#).

1.1.2 Variants

These operating instructions apply to the diaphragm pump with the following part number:

| Part number | Designation |
|-------------|-------------|
| PK T01 400 | MVP 160-3 |

1.2 Target group

This operating instructions are aimed at all persons performing the following activities on the product:

- transport,
- setup (installation),
- usage and operation,
- decommissioning,
- maintenance and cleaning,
- storage or disposal.

The work described in this document is only permitted to be performed by persons with the appropriate technical qualifications (expert personnel) or who have received the relevant training from Pfeiffer Vacuum.

1.3 Conventions

1.3.1 Instructions in the text

Usage instructions in the document follow a general structure that is complete in itself. The required action is indicated by an individual step or multi-part action steps.

Individual action step

A horizontal, solid triangle indicates the only step in an action.

- ▶ This is an individual action step.

Sequence of multi-part action steps

The numerical list indicates an action with multiple necessary steps.

1. Step 1
2. Step 2
3. ...

1.3.2 Pictographs

Pictographs used in the document indicate useful information.



Note



Tip

1.3.3 Stickers on the product

This section describes all the stickers on the product along with their meaning.

| | |
|--|--|
| | <p>Rating plate</p> <p>The rating plate is located on the housing panel.</p> |
| | <p>General warning sign</p> <p>The label provides a general warning of potential hazards, in this case in relation to the hot surfaces warning.</p> |
| | <p>Warning of hot surfaces</p> <p>The label warns of hot surfaces during operation or immediately after switching off the vacuum pump.</p> |

1.3.4 Abbreviations

| Abbreviation | Meaning in this document |
|--------------|--|
| DN | Nominal diameter (from the French: diamètre nominal) |
| FPM | Fluoropolymer rubber |
| MVP | Diaphragm vacuum pump |
| NN | Mean sea level |
| PA | Polyamide |
| PE | Earthed conductor (protective earth) Polyethylene |
| WAF | width across flats |

Tbl. 1: Abbreviations used in this document

2 Safety

2.1 General safety instructions

This document includes the following four risk levels and one information level.

DANGER

Imminent danger

Indicates a hazardous situation which, if not avoided, will result in death or serious injury.

- ▶ Instructions on avoiding the hazardous situation

WARNING

Possibly imminent danger

Indicates a hazardous situation which, if not avoided, could result in death or serious injury.

- ▶ Instructions on avoiding the hazardous situation

CAUTION

Possibly imminent danger

Indicates a hazardous situation which, if not avoided, could result in minor or moderate injury.

- ▶ Instructions on avoiding the hazardous situation

NOTICE

Danger of property damage

Notice is used to address practices not related to physical injury.

- ▶ Instructions on avoiding property damage



Notes, tips or examples indicate important information on the product or on this document.

2.2 Safety instructions

All safety instructions in this document are based on the results of the risk assessment carried out in accordance with Machinery Directive 2006/42/EC Annex I and EN ISO 12100 Section 5. As far as applicable, all unit life cycle phases have been considered.

Risks during transport

WARNING

Danger of serious injury due to falling objects

Due to falling objects there is a risk of injuries to limbs through to broken bones.

- ▶ Take particular care and pay special attention when transporting products manually.
- ▶ Do not stack the products.
- ▶ Wear protective equipment, e.g. safety shoes.

Risks during installation

⚠ DANGER**Risk to life due to electric shock**

An improperly earthed unit is a potential threat to life in the event of a fault.

- ▶ Conduct the electrical connection in accordance with locally applicable regulations.
- ▶ Make sure that the local mains voltage and frequency match rating plate specifications.
- ▶ Use only a 3-pin mains cable and extension cables with properly connected protective earthing (earthed conductor).
- ▶ Plug the mains plug into a socket with earthing contact only.
 - Protection must not be impaired by an extension with no earthed conductor.
- ▶ Always connect the mains cable prior to all other cables, to ensure continuous protective earthing.
 - In reverse: always disconnect all other cables prior to disconnecting the mains cable.

⚠ CAUTION**Risk of injury from bursting due to high pressure in the exhaust line**

Faulty or insufficient exhaust lines cause hazardous situations, e.g. increase in exhaust pressure. There is a risk of bursting. It is not possible to rule out the risk of injuries due to broken pieces flying around, high escaping pressure and damage to the equipment.

- ▶ Lay the exhaust line without shut-off units.
- ▶ Observe the permissible pressures and pressure differentials of the product.
- ▶ Check the exhaust line regularly for correct function.

Risks during operation

⚠ WARNING**Danger of poisoning due to emission of toxic process gases from the exhaust**

During operation with no exhaust line, the vacuum pump allows exhaust gases and vapors to escape freely into the air. In processes involving toxic media, there is a risk of injury and danger to life due to poisoning.

- ▶ Observe the relevant regulations for handling toxic substances.
- ▶ Safely purge toxic process gases via an exhaust line.
- ▶ Use suitable filter equipment to separate toxic substances.

⚠ WARNING**Risk of burns on hot surfaces**

During vacuum pump operation, exposed surfaces reach high temperatures. There is a risk of burning.

- ▶ Allow the vacuum pump to cool down before carrying out any work.
- ▶ Wear protective gloves (in accordance with EN 420).

Risks during maintenance

⚠ WARNING**Risk of burns on hot surfaces**

During vacuum pump operation, exposed surfaces reach high temperatures. There is a risk of burning.

- ▶ Allow the vacuum pump to cool down before carrying out any work.
- ▶ Wear protective gloves (in accordance with EN 420).

2.3 Safety precautions

The product is designed according to the latest technology and recognized safety engineering rules.

Nevertheless, improper use can result in danger to operator all third party life and limb, and product damage and additional property damage.



Duty to provide information on potential dangers

The product holder or user is obliged to make all operating personnel aware of dangers posed by this product.

Every person who is involved in the installation, operation or maintenance of the product must read, understand, and adhere to the safety-related parts of this document.



Infringement of conformity due to modifications to the product

The Declaration of Conformity from the manufacturer is no longer valid if the operator changes the original product or installs additional equipment.

- Following installation into a system, the operator is required to check and re-evaluate as necessary the conformity of the overall system in the context of the relevant European Directives before commissioning that system.

General safety precautions for working with the vacuum pump

- ▶ Observe all applicable safety and accident prevention regulations.
- ▶ Check that all safety measures are observed at regular intervals.
- ▶ Do not expose body parts to the vacuum.
- ▶ Always ensure a secure connection to the earthed conductor (PE).
- ▶ Never disconnect plug connections during operation.
- ▶ Observe the above shutdown procedures.
- ▶ Keep lines and cables away from hot surfaces (> 70 °C).
- ▶ Never fill or operate the unit with cleaning agents or cleaning agent residues.
- ▶ Do not carry out your own conversions or modifications on the unit.
- ▶ Observe the unit protection class prior to installation or operation in other environments.
- ▶ Observe statutory and local regulations regarding solvents handling.
- ▶ Never operate an open or faulty unit.
- ▶ Before carrying out any maintenance, first allow the unit to cool and disconnect it from the vacuum equipment.
- ▶ Disconnect the vacuum pump from the mains prior to every intervention, and wait an additional five seconds until the capacitors have discharged.
- ▶ Implement suitable safety precautions where unintentional vacuum pump venting can cause hazards.
 - Power failures can cause unintentional venting.

2.4 Usage limits of the vacuum pump

| Operations condition, status | Intake pressure | Permissible gas temperature range |
|------------------------------|---------------------------|-----------------------------------|
| Continuous operation | > 100 hPa (high gas load) | +10°C to +40°C |
| Continuous operation | < 100 hPa (low gas load) | 0°C to +60°C * |
| Short-term (< 5 minutes) | < 100 hPa (low gas load) | -10°C to +80°C * |

Tbl. 2: Usage limits of the vacuum pump

2.5 Proper use

- The vacuum pump may only be used for vacuum generation.
- It is not permissible to operate the vacuum pump with accessories not recommended by Pfeiffer Vacuum.
- Always observe installation, commissioning, operating, and maintenance instructions.

2.6 Foreseeable improper use

Improper use of the product invalidates all warranty and liability claims. Improper use is any, even unintended, use, which is contrary to the product purpose; and in particular:

- Pumping of corrosive media
- Pumping explosive media
- Pumping corrosive, explosive, radioactive, or volatile media
- Pumping of gases that introduce an ignition source to the suction chamber
- Pumping of gases that contain impurities such as particles, dust, or condensate
- Pumping of fluids
- Pumping FPM-solubilizing media
- Pumping vapors from combustible liquids
- Pumping pressurized media (> atmospheric pressure)
- Pumping media that can condense or cause adhering deposits to form in the suction chamber
- Use of the vacuum pump outside the specified area of application
- Using the vacuum pump below ground
- Using the vacuum pump to generate pressure
- Using the vacuum pump in systems in which sporadic loads and vibrations or periodic forces act on the unit
- Using the vacuum pump in strong electrical, magnetic, or electromagnetic fields
- Connection to vacuum pumps or equipment which are not suitable for this purpose according to their operating instructions
- Connection to devices with exposed live parts
- Connecting to sockets without earthing contact
- Using lubricants not specified by Pfeiffer Vacuum
- Using pipes to lift the vacuum pump
- Use of accessories or spare parts that are not listed in these instructions
- Using the vacuum pump as a climbing aid
- Using the connection lines between the diaphragm heads as carrying handles
- Using the vacuum pump in ambient conditions that do not meet the specified IP protection class limits

3 Transportation and Storage

3.1 Transporting the vacuum pump

WARNING

Danger of serious injury due to falling objects

Due to falling objects there is a risk of injuries to limbs through to broken bones.

- ▶ Take particular care and pay special attention when transporting products manually.
- ▶ Do not stack the products.
- ▶ Wear protective equipment, e.g. safety shoes.

NOTICE

Damage caused during transport

Transport in unsuitable packaging or failure to install all transport locks can damage the product.

- ▶ Observe the transport instructions.
- ▶ Always transport the vacuum pump in its original packaging.
- ▶ Transport the vacuum pump using only the transport handles provided.
- ▶ Always use sealed and impact-proof packaging for the vacuum pump.
- ▶ Seal inlet and outlet ports (for example using transport caps).
- ▶ Reattach transport locks prior to every transport.

Instructions for safe transport

1. Observe weight specified on the rating plate.
2. Wherever possible, always transport or ship the vacuum pump in its original packaging.
3. Always carry the vacuum pump with both hands.
4. Remove the protective cover only immediately prior to installation.

3.2 Storing the vacuum pump

NOTICE

Damage caused by improper storage

Improper storage leads to damage to the vacuum pump.

- ▶ Store the vacuum pump in a cool, dry, dust-free place, where it is protected against impacts.
- ▶ Seal inlet and outlet ports (e.g. using transport caps).
- ▶ Maintain the permissible storage temperature. (See technical data)

4 Product description

4.1 Identifying the product

You will need all the data from the rating plate to safely identify the product when communicating with Pfeiffer Vacuum.

Recording rating plate data

1. Read the data on the product rating plate.
2. Record this data.
3. Always have all rating plate specifications to hand.

4.2 Shipment

- Diaphragm vacuum pump
- Operating instructions

4.3 Vacuum pump design and function

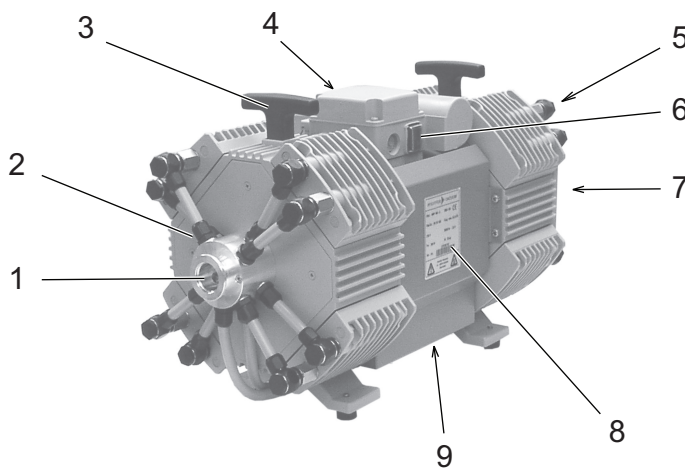


Fig. 1: MVP 160-3

- | | |
|---|---------------------------------------|
| 1 Vacuum connection (inlet, DN 25 ISO-KF) | 6 Mains switch |
| 2 Distributor, intake side | 7 Pressure connection (with silencer) |
| 3 Handle (2x) | 8 Rating plate on housing panel |
| 4 Mains plug | 9 Motor fan |
| 5 Distributor, pressure side | |

The diaphragm vacuum pump is a three stage, dry compressing vacuum pump. This means that the supplied medium does not come into contact with any lubricant.

The vacuum pump is a positive displacement pump with a periodic change in suction chamber size, produced by the movement of the diaphragm. The gas flow causes the valves to open and close automatically.

The pump units are connected directly to the drive motor (AC motor).

The vacuum pump is equipped with a pressure side silencer as standard.

5 Installation

5.1 Installing the vacuum pump

Procedure

1. Place the vacuum pump on a **flat, horizontal surface**.
2. Make sure that the vacuum pump is **stable and secure**, with no additional mechanical contact other than the pump feet.
3. Make sure that the system to be evacuated and all hose connections are **mechanically stable**.
4. **Never install the vacuum pump on a soft surface (such as foam)**, as this impairs air supply to the fan.
5. Ensure for **sufficient air supply** if you install the vacuum pump in an enclosed housing or at a high ambient temperature. Provide external forced ventilation if necessary.
 - **Minimum 5 cm** between fan (on pump underside) and adjacent parts (for example housing, walls, etc.)
6. If you install the vacuum pump at an **installation altitude of > 1000 m AMSL**, you must implement **measures in accordance with DIN VDE 0530** to ensure an adequate cooling air supply.
7. **Anchor** the vacuum pump to the supporting surface in the event of stationary installation.
8. Use **elastic hose pieces or bellows** for anchoring.
 - This prevents mechanical forces resulting from rigid connection lines.
9. Maintain **ambient conditions**.
10. Before switching on, allow the vacuum pump to **acclimatize**.
 - If the vacuum pump is brought into the operating area from a cold environment, condensation can form.

5.2 Connecting the pumping stages

NOTICE

Vacuum pump damage caused by overpressure

Mixing up the connections causes overpressure overload. The vacuum pump can be started only against max. 1 bar differential pressure between inlet and outlet; otherwise the motor jams and sustains damage.

- ▶ Make sure that the distributor is installed correctly on the diaphragm heads, before connecting the vacuum pump to the vacuum equipment.
- ▶ Before commissioning, make completely sure that the pressure side pressure is below the permissible limit.

The intake connections of the vacuum pump are marked “**IN**” and the outlets “**EX**” on the individual diaphragm heads.

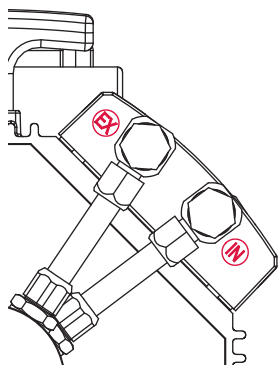


Fig. 2: **IN and EX connections on diaphragm heads**

IN Intake connection

EX Outlet

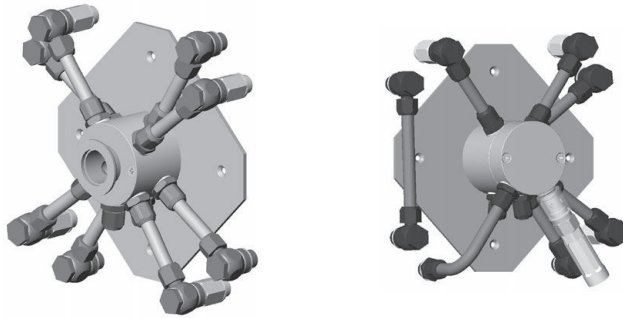


Fig. 3: Distributor: Intake side distributor (left) and pressure side distributor (right)

5.3 Connecting the vacuum side



Preventing pressure losses

Using the shortest possible vacuum connection lines with large nominal diameter prevents pressure losses.



Condensate separator

Pfeiffer Vacuum recommends the installation of a condensate separator in case vapors are formed from moisture during evacuation.

Procedure

1. Remove the locking cap from the vacuum connection.
2. Install the connection between vacuum pump and vacuum system so that it is as short as possible.
3. Install a condensate separator upstream of the vacuum pump.
4. Connect the vacuum pump to the vacuum system using the vacuum connection.

5.4 Connecting the exhaust side



Condensate separator

Pfeiffer Vacuum recommends installing a condensate separator, with condensate drain at the lowest point of the exhaust line.

Procedure

1. Observe the official accident prevention regulations.
 - This applies in particular where you install a shut-off unit for internal operating reasons, meaning that overpressure can build in the line.
2. Remove protective caps.
3. Install the line downward from the vacuum pump so that condensation does not flow back into the pump.
4. Connect the vacuum pump and vacuum chambers with the shortest possible connection, with a minimum nominal diameter equal to that of the vacuum connection.
5. Make sure that no piping system forces are acting on the vacuum pump.
6. Support or hang the pipes.
7. Only use the silencer at low gas throughput, and check it regularly to ensure that it is unobstructed.

5.5 Establishing an electrical connection

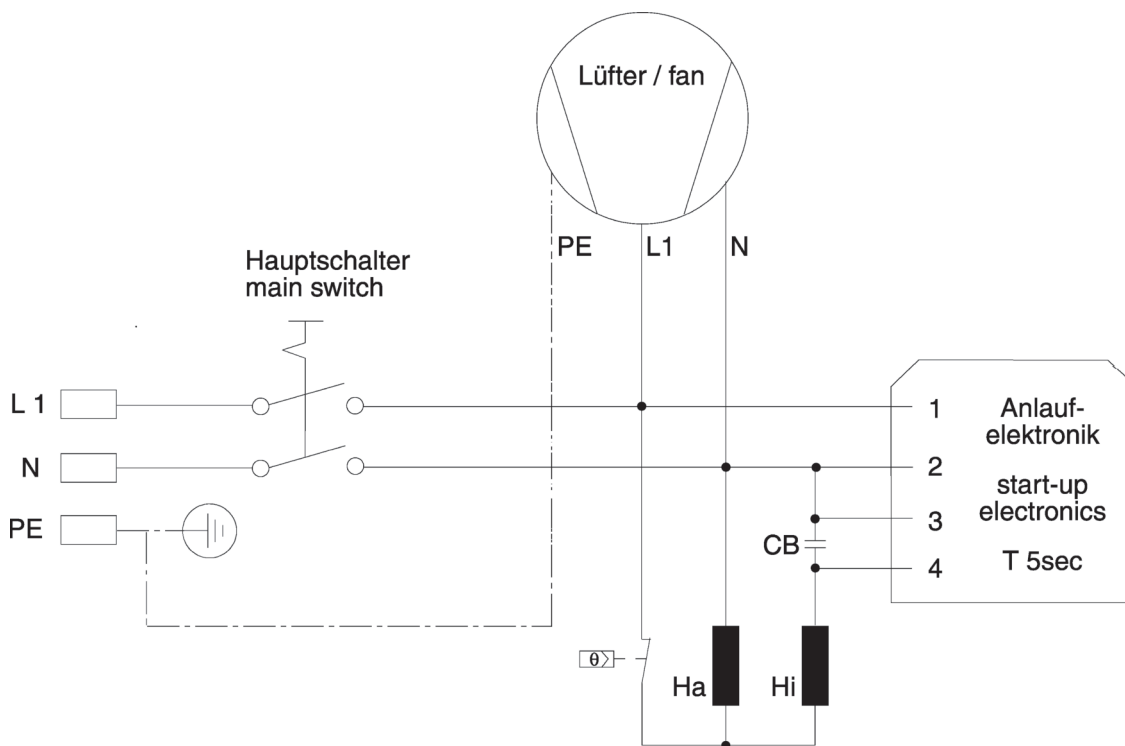


Fig. 4: Connection diagram: MVP 160-3 with single phase AC motor

6 Operation

6.1 Switching on and operating the vacuum pump

WARNING

Danger of poisoning due to emission of toxic process gases from the exhaust

During operation with no exhaust line, the vacuum pump allows exhaust gases and vapors to escape freely into the air. In processes involving toxic media, there is a risk of injury and danger to life due to poisoning.

- ▶ Observe the relevant regulations for handling toxic substances.
- ▶ Safely purge toxic process gases via an exhaust line.
- ▶ Use suitable filter equipment to separate toxic substances.

CAUTION

Risk of injury from bursting due to high pressure in the exhaust line

Faulty or insufficient exhaust lines cause hazardous situations, e.g. increase in exhaust pressure. There is a risk of bursting. It is not possible to rule out the risk of injuries due to broken pieces flying around, high escaping pressure and damage to the equipment.

- ▶ Lay the exhaust line without shut-off units.
- ▶ Observe the permissible pressures and pressure differentials of the product.
- ▶ Check the exhaust line regularly for correct function.

NOTICE

Damage caused by water hammer

The sudden ingress of condensate can cause water hammer, as the vacuum pump cannot pump the additionally formed steam down quickly enough. Water hammer destroys the vacuum pump.

- ▶ Install a capacitor between the vacuum system and the vacuum pump.
 - This intercepts the fluid upstream of the vacuum pump.

NOTICE

Damage caused by fluids and dust

Fluids and dust damage diaphragms and valves.

- ▶ Prevent ingress of particles and dusts to the vacuum pump.
- ▶ Install a suitable filter upstream of the vacuum pump if necessary.
- ▶ Avoid condensation in the vacuum pump and water hammer.
- ▶ Observe the intended use.

NOTICE

Damage caused by silencer contamination

After a long period of operation at high intake pressures or with dust-laden gases, the silencer can become congested. If the silencer becomes contaminated, an internal overpressure builds that damages bearings, diaphragms, and valves.

- ▶ Replace a contaminated silencer.
- ▶ Make sure that the exhaust line is unobstructed.
- ▶ Ideally, use a hose nozzle as an outlet.



Achieving throughput and ultimate pressure

The vacuum pump achieves the specified throughput and ultimate pressure values once the operating temperature has been reached (after approx. 15 minutes).

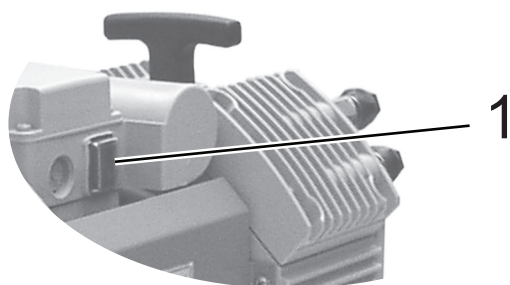


Fig. 5: Mains switch

- 1 Mains switch

Procedure

You can switch on the vacuum pump at any time.

1. Press the mains switch.

6.2 Switching off the vacuum pump

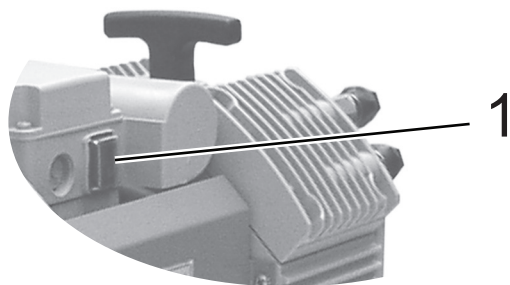


Fig. 6: Mains switch

- 1 Mains switch

Procedure

You can switch off the vacuum pump at any time.

1. Allow the vacuum pump to run on for a few more minutes with the intake port open.
2. Press the mains switch.
3. Clean and check the diaphragm heads when working with pump media that are corrosive to pump materials or can cause formation of deposits.

7 Decommissioning the vacuum pump for long periods

Procedure

1. Switch off the vacuum pump.
2. Vent the vacuum pump and allow it to cool down.
3. Disconnect the vacuum pump from the vacuum equipment.
4. Clean suction chamber.
5. Seal flanges and any other openings.
6. Store the vacuum pump in dry, dust-free rooms, within the specified ambient conditions.
 - In areas with damp or aggressive atmospheres, we recommend packaging the vacuum pump in a plastic bag with a drying agent, and sealing it so that it is airtight.
 - For storage durations longer than 2 years, we recommend you carry out maintenance and a lubricant change prior to recommissioning.

8 Maintenance

8.1 General

WARNING

Risk of burns on hot surfaces

During vacuum pump operation, exposed surfaces reach high temperatures. There is a risk of burning.

- ▶ Allow the vacuum pump to cool down before carrying out any work.
- ▶ Wear protective gloves (in accordance with EN 420).

NOTICE

Damage caused by pointed or sharp-edged tools

Sharp-edged tools damage pump parts during maintenance.

- ▶ Never disconnect pump parts such as diaphragm heads using pointed or sharp-edged tools.
- ▶ Never use pointed or sharp-edged tools to lift diaphragms.
- ▶ If necessary, use a rubber mallet to loosen parts.

8.2 Maintenance intervals



Dismantle the vacuum pump only to the extent necessary

Dismantle the vacuum pump only to the extent required for maintenance.

Use only genuine parts as listed in the spare parts list.

Valves and diaphragms are wear parts.

| Component | Operating hours |
|------------------|-----------------|
| Diaphragm | 15,000 |
| Valves | 15,000 |
| Motor bearing | 40,000 |
| Motor capacitors | 10,000-40,000 |

Tbl. 3: Typical life with normal use

You must check wear parts by the time the achieved pressure values drop off at the latest.

Checking wear parts

1. Clean suction chamber
2. Clean diaphragms
3. Clean valves
4. Check and clean diaphragm heads at regular intervals (depending on the individual case)
5. Inspect diaphragms and valves for cracks.
6. Replace defective parts.

8.3 Dismantling the distributor



It is not necessary to remove the connection hoses from the distributor screw couplings.

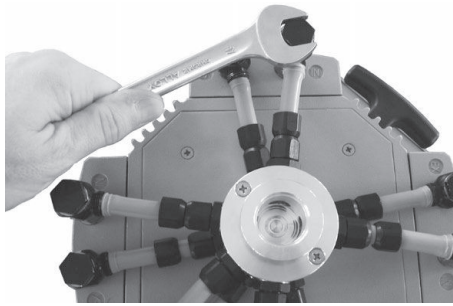


Fig. 7: Loosen the compression couplings on the diaphragm head

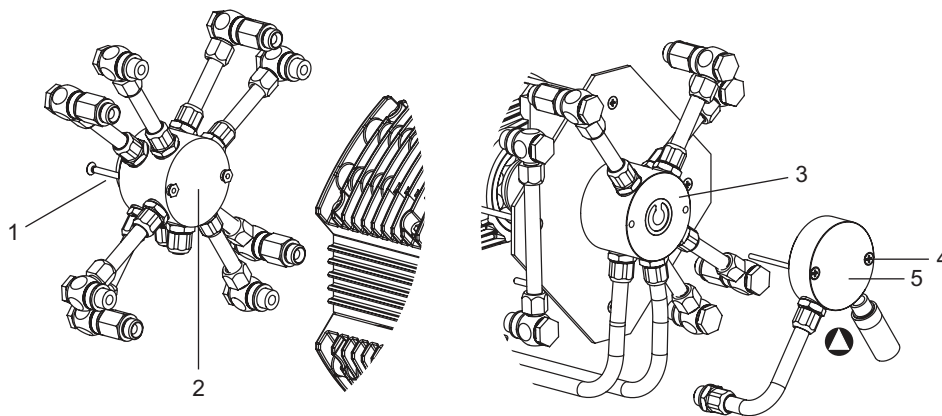


Fig. 8: Dismantling both distributors

- | | |
|-----------------------------|----------------------|
| 1 Countersunk screws | 4 Countersunk screws |
| 2 Intake side distributor | 5 Cover plate |
| 3 Pressure side distributor | |

Procedure

Required tools

- Open-end wrench (17 WAF)
- Crosshead screwdriver

1. Unscrew the screw couplings from all diaphragm heads using the open-end wrench.
2. Unscrew the countersunk screws using the crosshead screwdriver.
3. Remove the entire intake side distributor, including all fittings.
4. Unscrew the countersunk screws using the crosshead screwdriver.
5. Remove the entire pressure side distributor and cover panel, including all fittings.

8.4 Disassembling the diaphragm head

NOTICE

Damage caused by pointed or sharp-edged tools

Sharp-edged tools damage pump parts during maintenance.

- ▶ Never disconnect pump parts such as diaphragm heads using pointed or sharp-edged tools.
- ▶ Never use pointed or sharp-edged tools to lift diaphragms.
- ▶ If necessary, use a rubber mallet to loosen parts.

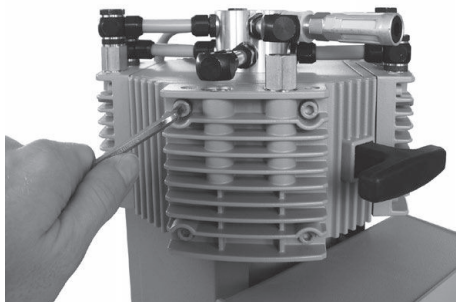


Fig. 9: Disconnecting diaphragm head

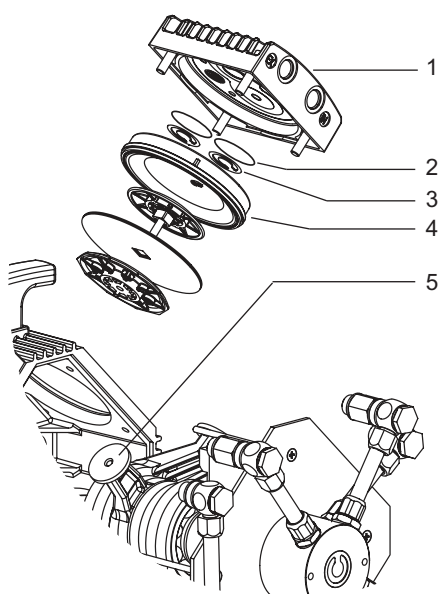


Fig. 10: Disassembling the diaphragm head

- | | |
|------------------|------------------|
| 1 Diaphragm head | 4 Head cover |
| 2 O-rings | 5 Connection rod |
| 3 Valves | |

Procedure

Required tools

- Allen key (5 WAF)
- Rubber mallet

1. Use the Allen key to unscrew the four cheesehead screws from the diaphragm head.
2. Remove top of housing (diaphragm head and head cover).
 - Do not allow the head cover to fall out of the diaphragm head when doing so.
3. Remove the head cover from the diaphragm head in order to check the valves.
4. Note the position of the valves and O-rings, and remove them.
5. Move the connection rod by rotating the eccentric bushing (on the front of the connection rod) to a position where the diaphragm rests centrally and flush on the supporting surface in the housing opening.

8.5 Checking and replacing parts

Procedure

1. Check all parts for damage and contamination.
2. Clean contaminated parts.
3. Replace damaged valves.
4. Replace damaged diaphragms.

8.6 Cleaning contaminated parts

| NOTICE |
|--|
| <p>Damage caused by unsuitable cleaning agents</p> <p>Unsuitable cleaning agents damage pump parts.</p> <ul style="list-style-type: none"> ▶ Use only approved cleaning agents to clean pump parts. ▶ Never use soluble detergents. |

Procedure

Required consumables

- Isopropanol
1. Clean contaminated parts with isopropanol.
 2. Allow parts to dry well.

8.7 Replacing the diaphragm

| NOTICE |
|---|
| <p>Damage caused by unsuitable auxiliary tool</p> <p>Using unsuitable tools damage the diaphragm and associated components.</p> <ul style="list-style-type: none"> ▶ Never use the diaphragm key with auxiliary tools (for example pliers or an Allen key without torque limitation). |



Spacer disks

Take care with any spacer disks that may be between the diaphragm support disk and connection rod. Keep the spacer disks for each cylinder separate, and reinstall the same number of original spacer disks.

Too few spacer disks: Vacuum pump does not attain final vacuum.

Too many spacer disks: Vacuum pump bangs (noise development).



Double diaphragm

You have to position the double diaphragms with the printed sides facing outwards.

Depending on the pump design, two diaphragm attachments may be possible when replacing the diaphragm:

| Attachment with countersunk screw | Form-fitted attachment |
|--|-------------------------------|
| | |
| Design with bore | Design with square hole |

Tbl. 4: Diaphragm attachments

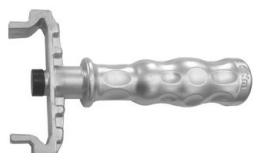


Fig. 11: Diaphragm key (accessory)

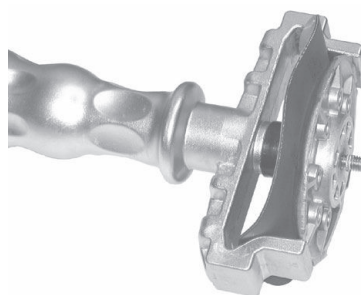
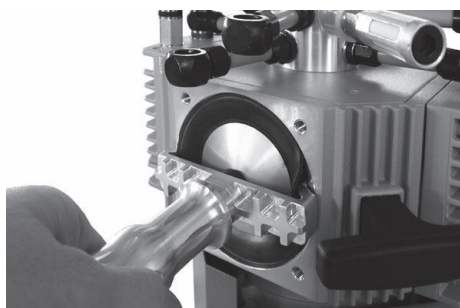


Fig. 12: Diaphragm key with inlaid diaphragm parts

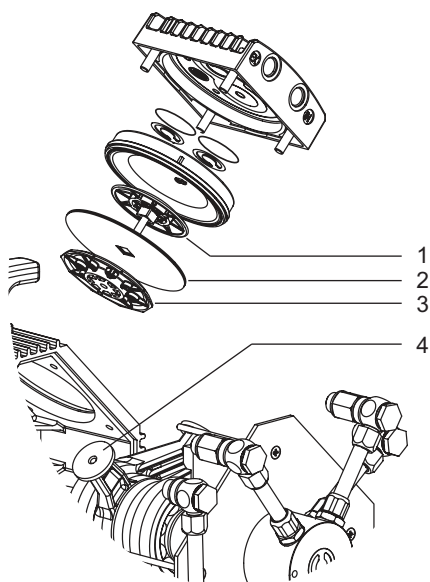


Fig. 13: Diaphragm and associated parts

- | | |
|---------------------------|--------------------------|
| 1 Diaphragm clamping disk | 3 Diaphragm support disk |
| 2 Diaphragm | 4 Connection rod |

Procedure

Required tools

- Diaphragm key (accessory)
- Torque wrench (hex, size 6)

Required consumables

- Gasoline or petroleum

1. **Diaphragm with square hole:** Remove the pre-punched interior of the new diaphragm.
2. Carefully lift the side of the diaphragm.
3. Using the diaphragm key, reach under the diaphragm and grasp the diaphragm support disk.
4. Disconnect the diaphragm support disk using the diaphragm key.
5. Unscrew the diaphragm support disk together with the diaphragm and diaphragm clamping disk.
6. If necessary, disconnect the old diaphragm from the diaphragm support disk using gasoline or petroleum.

7. Insert the new diaphragm between diaphragm clamping disk and diaphragm support disk.
 - When doing so, make sure that the square connecting bolt of the diaphragm clamping disk is positioned correctly in the diaphragm support disk guide.
8. Lift the side of the diaphragm and insert it carefully in the diaphragm key with the diaphragm clamping disk and diaphragm support disk.
 - When doing so, do not kink the diaphragm excessively.
9. Bolt all parts together with the spacer disks and connection rod.
10. Attach the torque wrench to the diaphragm key
11. Tighten the screw fitting with the torque wrench.
 - Tightening torque = **6 Nm**

8.8 Replacing the valves

The valves are located in the diaphragm heads and below the pressure side distributor cover plate.

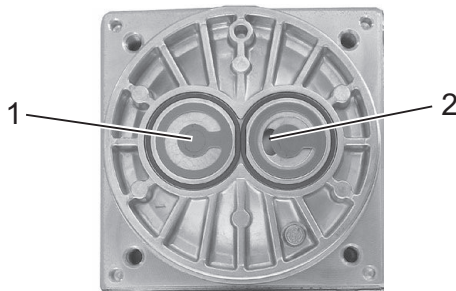


Fig. 14: Correct positioning of valves in diaphragm head

- 1 Outlet side with round central opening below valve
- 2 Inlet side with kidney-shaped opening next to valve

The valve crosspiece lies opposite the kidney-shaped opening.

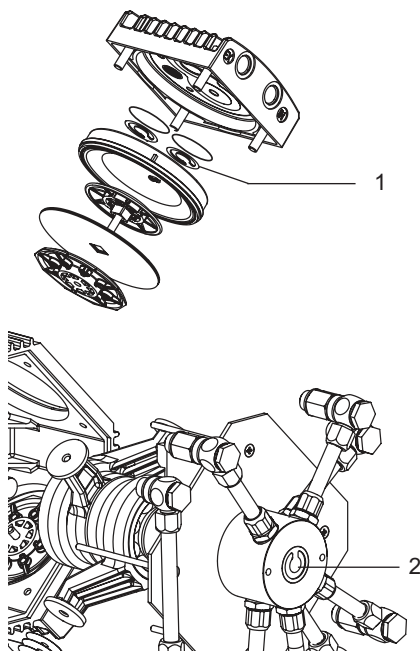


Fig. 15: Valves

- 1 Valves in diaphragm head
- 2 Valve in pressure side distributor

Replacing the valves in the diaphragm head

1. When replacing valves (1), make sure they are positioned correctly.
2. Insert valves (1) in the diaphragm head.

Replacing the valve in the pressure side distributor

1. When replacing valve (2), make sure it is positioned correctly.
2. Insert valve (2) in the pressure side distributor.

8.9 Installing the diaphragm head

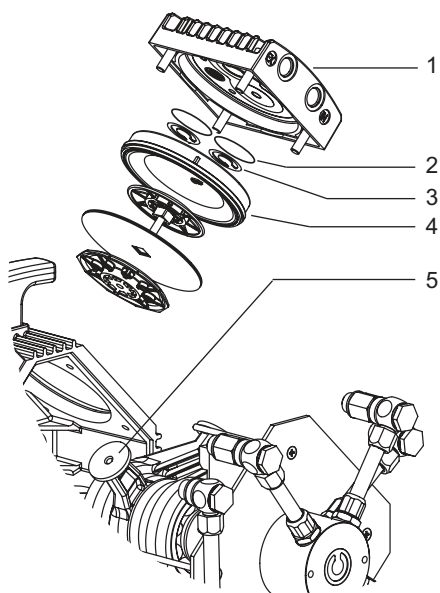


Fig. 16: Installing the diaphragm head

- | | |
|------------------|------------------|
| 1 Diaphragm head | 4 Head cover |
| 2 O-rings | 5 Connection rod |
| 3 Valves | |

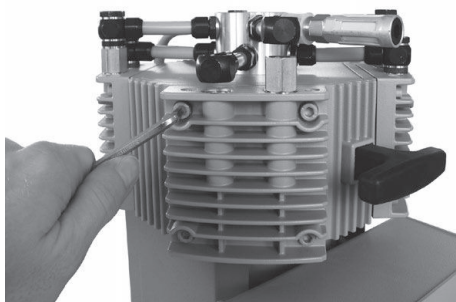


Fig. 17: Secure diaphragm head

Required tools

- Allen key (5 WAF)
- Torque wrench

Procedure

1. Ensure that the diaphragm rests centrally and flush on the supporting surface in the housing opening.
 - If required, move the connection rod by rotating the eccentric bushing (front side of connection rod).
 - Make sure that valves and O-rings are positioned correctly.
2. Assemble head cover and diaphragm head.
3. Ensure that the diaphragm is at the center.
 - The diaphragm is evenly clamped between the pump housing and the head cover.
4. Place top of housing (diaphragm head and head cover) on pump housing.

5. Fasten the 4 cheesehead screws on the diaphragm head.
6. Tighten the 4 cheesehead screws diagonally.
 - Do not tighten the cheesehead screws up to the stop.
 - Tightening torque = **12 Nm**

8.10 Installing the distributor

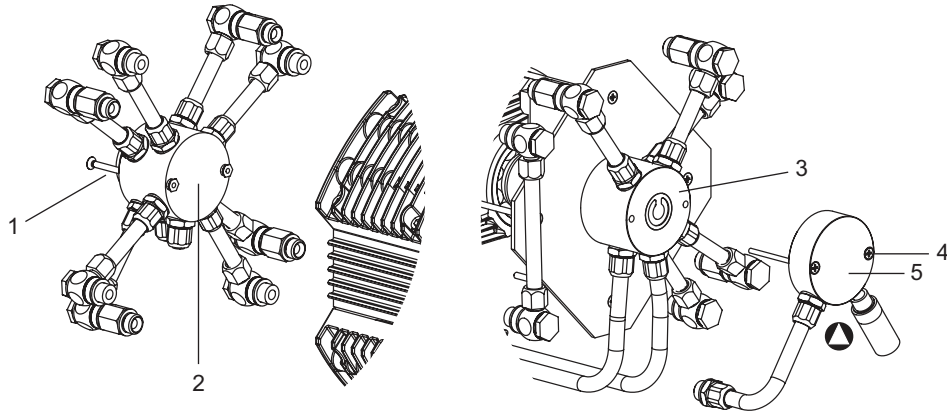


Fig. 18: Install both distributors

- | | |
|-----------------------------|----------------------|
| 1 Countersunk screws | 4 Countersunk screws |
| 2 Intake side distributor | 5 Cover plate |
| 3 Pressure side distributor | |

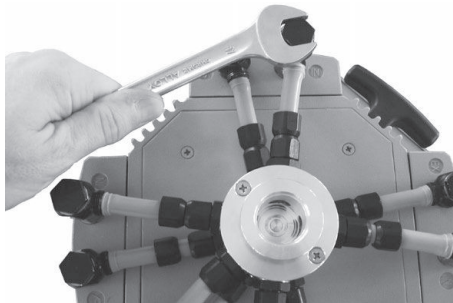


Fig. 19: Screw couplings on diaphragm head

Installing the distributor

Required tools

- Open-end wrench (17 WAF)
 - Crosshead screwdriver
1. Hold the pressure side distributor, including cover plate and all fittings, in position on the vacuum pump.
 2. Secure the countersunk screws using the crosshead screwdriver.
 3. Hold the intake side distributor, including all fittings, in position on the vacuum pump.
 4. Secure the countersunk screws using the crosshead screwdriver.
 5. Secure the screw couplings to all diaphragm heads using the open-end wrench.

8.11 Checking vacuum pump function

After working on the vacuum pump, you must check the final vacuum. Only where the vacuum pump reaches the specified final vacuum can a low pump leakage rate, and thus the prevention of potentially explosive mixtures in the pump interior, be ensured.

Checking function of individual diaphragm heads**Tools required**

- Standard vacuum gage
1. Measure the intake port pressure in every stage:
 - Using the standard vacuum gage, you must be able to measure **< 110 hPa** pressure values at the intake port.
 2. If this pressure value is not reached, check the suction chamber.
 3. When doing so, check that valves and diaphragms are correctly seated (centrally to housing hole).

Checking final vacuum

If, following diaphragm valve replacement, the vacuum pump achieves the specified final vacuum value only after being run in for several hours, or unusual noise can be heard, proceed as follows:

1. Switch off the vacuum pump immediately in the event of unusual noise.
2. carry out troubleshooting.

9 Troubleshooting

| Problem | Possible causes | Remedy |
|--|--|---|
| Vacuum pump not achieving ultimate pressure. (no throughput) | <ul style="list-style-type: none"> • Deposits in the vacuum pump | <ul style="list-style-type: none"> • Clean and check the diaphragm heads. |
| | <ul style="list-style-type: none"> • Condensate in the vacuum pump | <ul style="list-style-type: none"> • Operate the vacuum pump at atmospheric pressure for a longer period. |
| | <ul style="list-style-type: none"> • In-process steam formation | <ul style="list-style-type: none"> • Check the process parameters. |
| | <ul style="list-style-type: none"> • Valves/diaphragms soiled/faulty | <ul style="list-style-type: none"> • Clean/replace the valves/diaphragms. |
| | <ul style="list-style-type: none"> • Small flange connection centering ring inserted incorrectly | <ul style="list-style-type: none"> • Check the connection. |
| | <ul style="list-style-type: none"> • Long, thin vacuum line | <ul style="list-style-type: none"> • Choose a line with a larger cross section. |
| | <ul style="list-style-type: none"> • Leak in system | <ol style="list-style-type: none"> 1. Eliminate the leak. 2. Check the vacuum pump itself. Connect the measurement instrument directly to the pump inlet. |
| Unusual noises during operation | <ul style="list-style-type: none"> • Valves/diaphragms faulty | <ul style="list-style-type: none"> • Replace valves/diaphragms. |
| | <ul style="list-style-type: none"> • Dirt in suction chamber | <ul style="list-style-type: none"> • Clean suction chamber. |
| | <ul style="list-style-type: none"> • Silencer loose or missing | <ul style="list-style-type: none"> • Check/replace the silencer. |
| | <ul style="list-style-type: none"> • Motor fan defective | <ul style="list-style-type: none"> • Replace the motor fan. |
| | <ul style="list-style-type: none"> • Connection rod or motor bearing defective | <ul style="list-style-type: none"> • Contact Pfeiffer Vacuum Service. |
| Vacuum pump does not start up. | <ul style="list-style-type: none"> • No mains voltage | <ol style="list-style-type: none"> 1. Check the mains voltage. 2. Check the mains fuse. 3. Connect the mains plug. |
| | <ul style="list-style-type: none"> • Phase failure | <ul style="list-style-type: none"> • Check the fuse. |
| | <ul style="list-style-type: none"> • Thermal winding protection has triggered. (Motor overloaded) | <ol style="list-style-type: none"> 1. Allow the motor to cool down. 2. Switch the mains switch off and back on. |
| | <ul style="list-style-type: none"> • Ambient temperature too low | <ul style="list-style-type: none"> • Heat up the vacuum pump. |
| | <ul style="list-style-type: none"> • Valves/diaphragms soiled/faulty | <ul style="list-style-type: none"> • Clean/replace the valves/diaphragms. |
| | <ul style="list-style-type: none"> • Overpressure in exhaust line | <ul style="list-style-type: none"> • Open the exhaust line. |
| The vacuum pump switches off. | <ul style="list-style-type: none"> • Diaphragm bonded | <ul style="list-style-type: none"> • Clean the vacuum pump. |
| | <ul style="list-style-type: none"> • Mains voltage incorrect | <ul style="list-style-type: none"> • Correct the mains voltage in accordance with the rating plate. |

| Problem | Possible causes | Remedy |
|---|--|---|
| Motor contactor tripped. | <ul style="list-style-type: none"> • Vacuum pump over-heating | <ol style="list-style-type: none"> 1. Switch off the vacuum pump. 2. Disconnect the mains plug. 3. Allow the vacuum pump to cool down. 4. Determine and eliminate the cause of overheating. |
| Vacuum pump blocked or connection rod stiff | | <ul style="list-style-type: none"> • Contact Pfeiffer Vacuum Service. |

Tbl. 5: Troubleshooting

10 Service solutions from Pfeiffer Vacuum

We offer first class service

Long vacuum component service life, coupled with low downtimes, are clear expectations that you have of us. We satisfy your needs with capable products and outstanding service.

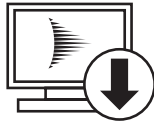
We are consistently striving to perfect our core competence, service for vacuum components. And our service is far from over once you've purchased a product from Pfeiffer Vacuum. It often enough really just begins then. In proven Pfeiffer Vacuum quality, of course.

Our professional sales engineers and service technicians stand ready to provide hands-on support to you worldwide. Pfeiffer Vacuum offers a complete portfolio of service offerings, ranging from genuine spare parts right through to service agreements.

Take advantage of Pfeiffer Vacuum Service

Whether for preventative on-site service from our field service, fast replacement with as-new replacement products or repair in a Service Center close to you; you have various options for upholding your equipment availability. Detailed information and addresses can be found on our website in the Pfeiffer Vacuum Service section.

Advice on the optimum solution is available from your Pfeiffer Vacuum contact partner. For quick and smooth handling of the service process, we recommend the following steps:



1. Download the current form templates.
 - Declaration of Service Request
 - Service Request
 - Declaration of Contamination

- a. Dismantle all accessories and keep them (all external mounted parts as valve, inlet screen, etc.).
 - b. Drain the operating fluid/lubricant as necessary.
 - c. Drain the cooling medium as necessary.
2. Fill out the service request and the declaration of contamination.



3. Send the forms via email, fax or post to your local Service Center.



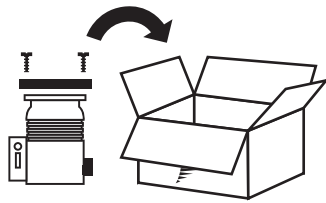
4. You will receive a response from Pfeiffer Vacuum.



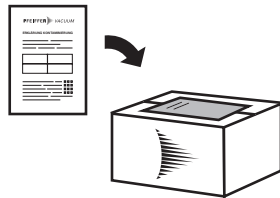
PFEIFFER VACUUM

Sending of contaminated products

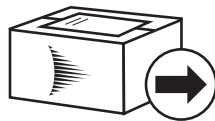
No units will be accepted if they are contaminated with micro-biological, explosive or radioactive substances. If products are contaminated or if the declaration of contamination is missing, Pfeiffer Vacuum will contact the customer before starting maintenance. In addition, depending on the product and the level of contamination **additional decontamination costs** may be required.



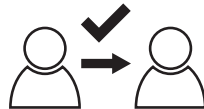
5. Prepare the product for transport in accordance with the details in the declaration of contamination.
 - a) Neutralize the product with nitrogen or dry air.
 - b) Close all openings with airtight blank flanges.
 - c) Seal the product in appropriate protective film.
 - d) Only pack the product in suitable, stable transport containers.
 - e) Observe the applicable transport conditions.



6. Affix the declaration of contamination to the **outside** of the packaging.



7. Then send your product to your local [Service Center](#).



8. You will receive a confirmation message/a quotation from Pfeiffer Vacuum.

PFEIFFER VACUUM

For all service orders, our [General Terms and Conditions of Sales and Supply](#) and [General Terms and Conditions of Repair and Maintenance](#) apply to vacuum equipment and components.

11 Spare parts

| Description | order number |
|---|---------------|
| Overhaul kit with valve seal and diaphragms | PU E22 002 -T |
| Silencer (G 1/4") | P0 920 792 E |
| Fan (220–240 V) | P0 920 416 E |

Tbl. 6: MVP 160-3 spare parts list

12 Accessories

| Description | order number |
|--|---------------|
| Diaphragm key (66 WAF) | PK 050 172 |
| Relay box, shielded, for backing pumps, 1-phase 7A for TC 110/120 and TCP 350, plug M8 | PM 071 282 -X |
| Relay box, shielded, for backing pumps, 1-phase 7 A for TC 400/1200, TM 700 and TCP 350, M12 | PM 071 284 -X |
| Mains cable 115/230 V without plug, rubber connector (right angle), 3 m | PK 050 111 |
| Mains cable 230 V with safety plug, right angle IEC 320/C13 socket, 2 m | PK 050 109 |

Tbl. 7: Accessories

13 Technical data and dimensions

13.1 General

Basis for the technical data of Pfeiffer Vacuum diaphragm pumps:

- Specifications according to PNEUROP committee PN5
- ISO 21360:2012: "Vacuum technology - Standard methods for measuring vacuum-pump performance - General description"

The following harmonized standards are fulfilled:

- IEC 61010-1
- UL 61010-1
- CSA 61010-1

| | mbar | bar | Pa | hPa | kPa | Torr mm Hg |
|--------------|------|----------------------|----------------|------|-------------------|---------------------|
| mbar | 1 | $1 \cdot 10^{-3}$ | 100 | 1 | 0.1 | 0.75 |
| bar | 1000 | 1 | $1 \cdot 10^5$ | 1000 | 100 | 750 |
| Pa | 0.01 | $1 \cdot 10^{-5}$ | 1 | 0.01 | $1 \cdot 10^{-3}$ | $7.5 \cdot 10^{-3}$ |
| hPa | 1 | $1 \cdot 10^{-3}$ | 100 | 1 | 0.1 | 0.75 |
| kPa | 10 | 0.01 | 1000 | 10 | 1 | 7.5 |
| Torr mm Hg | 1.33 | $1.33 \cdot 10^{-3}$ | 133.32 | 1.33 | 0.133 | 1 |

$$1 \text{ Pa} = 1 \text{ N/m}^2$$

Tbl. 8: Conversion table: Pressure units

| | mbar l/s | Pa m ³ /s | sccm | Torr l/s | atm cm ³ /s |
|------------------------|----------------------|----------------------|------|----------------------|------------------------|
| mbar l/s | 1 | 0.1 | 59.2 | 0.75 | 0.987 |
| Pa m ³ /s | 10 | 1 | 592 | 7.5 | 9.87 |
| sccm | $1.69 \cdot 10^{-2}$ | $1.69 \cdot 10^{-3}$ | 1 | $1.27 \cdot 10^{-2}$ | $1.67 \cdot 10^{-2}$ |
| Torr l/s | 1.33 | 0.133 | 78.9 | 1 | 1.32 |
| atm cm ³ /s | 1.01 | 0.101 | 59.8 | 0.76 | 1 |

Tbl. 9: Conversion table: Units for gas throughput

13.2 Substances in contact with the media

| Pump parts | Substances in contact with the media |
|-------------------------|--------------------------------------|
| Housing cover | Aluminum alloy (AlSi12) |
| Head cover | Aluminum alloy (AlSi12) |
| Diaphragm clamping disk | Aluminum alloy (AlSi12) |
| Diaphragm | Elastomer (FPM) |
| Valves | Elastomer (FPM) |
| O-rings | Elastomer (FPM) |
| Vacuum connection | Stainless steel |
| Silencer | Aluminum alloy/PA/PE |
| Overpressure valve | Silicone |
| Hoses | Polyethylene (PE) |

| Pump parts | Substances in contact with the media |
|-----------------------|--------------------------------------|
| Compression couplings | Anodized aluminum (AlCuMgPb) |
| Sealing rings | Elastomer (FPM) |

Tbl. 10: Materials that make contact with the process media

13.3 Technical data

| Classification | MVP 160-3 |
|--|---|
| Order number | PK T01 400 |
| Flange (in) | DN 25 ISO-KF |
| Flange (out) | G 1/4" with silencer |
| Pumping speed at 50 Hz | 9.6 m ³ /h |
| Pumping speed at 60 Hz | 10.4 m ³ /h |
| Ultimate pressure without gas ballast | ≤ 2 hPa |
| Exhaust pressure, max. | 1100 hPa |
| Leak rate | ≤ 2 · 10 ⁻³ Pa m ³ /s |
| Ambient temperature | 10 – 40 °C |
| Temperature: Storage | -10 – 60 °C |
| Emission sound pressure level without gas ballast or purge | 52 ± 1.5 dB(A) |
| Rotation speed at 50 Hz | 1500 rpm |
| Rotation speed at 60 Hz | 1800 rpm |
| Motor protection | Thermal winding protection |
| Mains requirement: voltage, max. | 230 V |
| Mains requirement: voltage (range) | ± 10 % |
| Rated current absorption at 50 Hz | 2.8 A |
| Rated current absorption at 60 Hz | 2.7 A |
| Protection category | IP20 |
| Operating altitude, max. | 2000 m |
| Weight | 25 kg |

Tbl. 11: Technical data, MVP 160-3

13.4 Dimensions

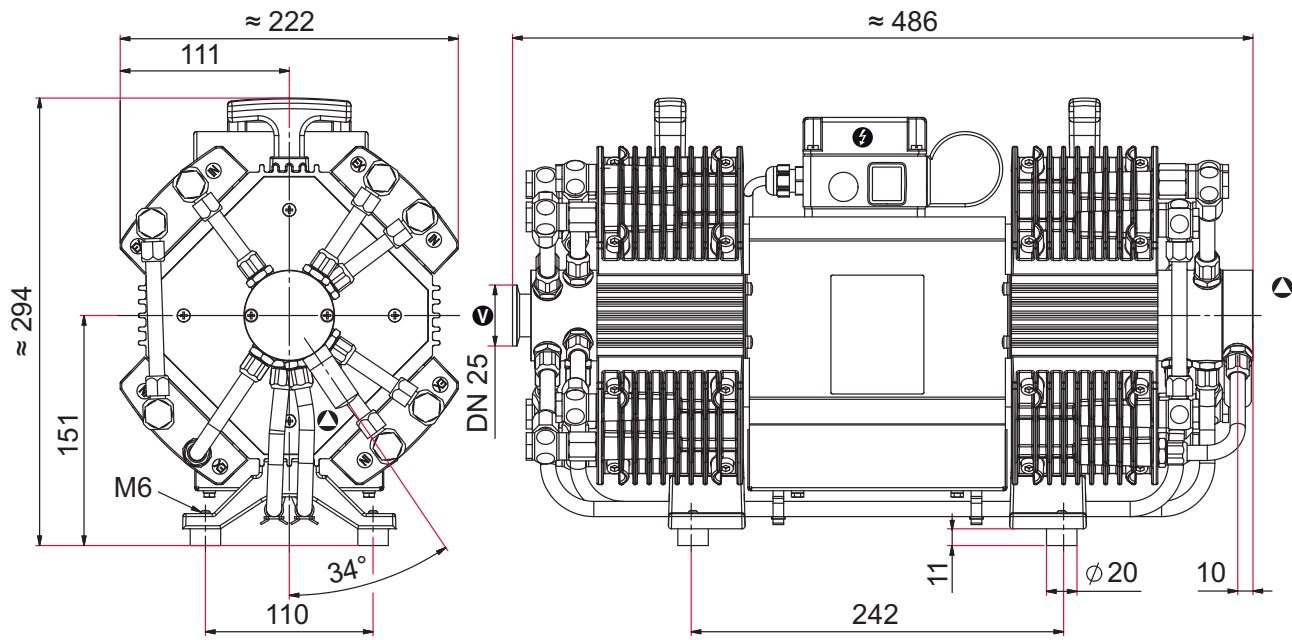


Fig. 20: Dimensions in mm

13.5 Characteristics

MVP 160-3 (50 Hz)

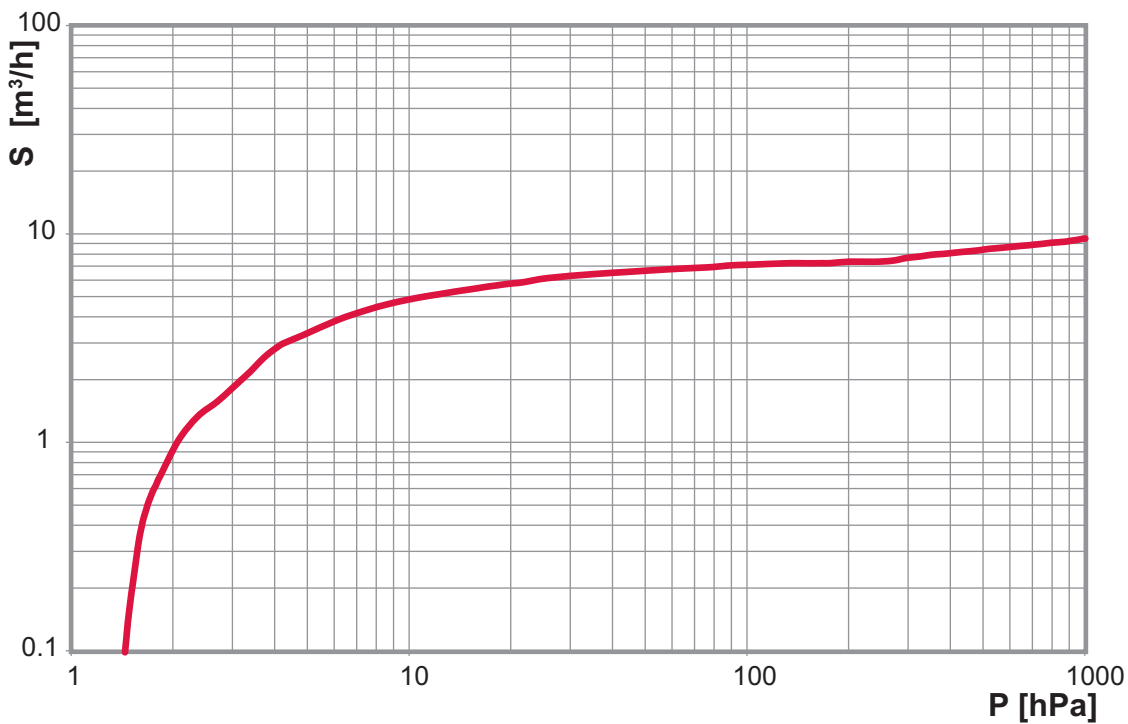


Fig. 21: Air pumping speed at 50 Hz

MVP 160-3 (60 Hz)

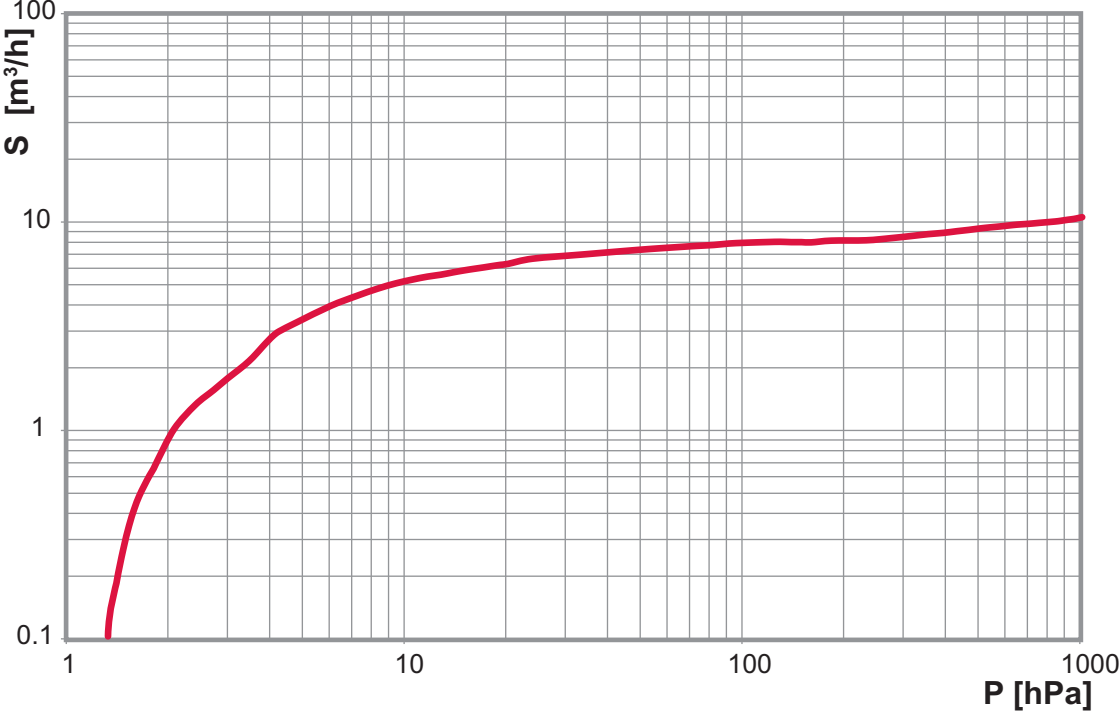


Fig. 22: Air pumping speed at 60 Hz

Declaration of conformity

We hereby declare that the product cited below satisfies all relevant provisions of the following **EU Directives**:

- **Machinery 2006/42/EC (Annex II, no. 1 A)**
- **Electromagnetic compatibility 2014/30/EU**
- **Restriction of the use of certain hazardous substances 2011/65/EU**

The authorized representative for the compilation of technical documents is Mr. Sebastian Oberbeck, Pfeiffer Vacuum GmbH, Berliner Straße 43, 35614 Aßlar, Germany.

Diaphragm vacuum pump

MVP 160-3

Harmonized standards and applied national standards and specifications:

EN ISO 12100:2011

EN 61010-1:2011

IEC 61010-1:2010 (edition 3)

EN 1012-2:2011

EN 61326-1:2013

EN 50581:2013

Signature:



(Dr. Ulrich von Hülsen)

Managing Director

Chemtech Scientific provides access to this content as a courtesy.
We do not own the content contained in this document.
All rights and credit go directly to its rightful owners.
www.chemtechsci.com
Call us at: 484-426-9415



VACUUM SOLUTIONS FROM A SINGLE SOURCE

Pfeiffer Vacuum stands for innovative and custom vacuum solutions worldwide, technological perfection, competent advice and reliable service.

COMPLETE RANGE OF PRODUCTS

From a single component to complex systems:

We are the only supplier of vacuum technology that provides a complete product portfolio.

COMPETENCE IN THEORY AND PRACTICE

Benefit from our know-how and our portfolio of training opportunities!

We support you with your plant layout and provide first-class on-site service worldwide.

ed. B - Date 1902 - P/N:PU0077BEN



Are you looking for a
perfect vacuum solution?
Please contact us

Chemtech Scientific provides access to this content as a courtesy.
We do not own the content contained in this document.
All rights and credit go directly to its rightful owners.
www.chemtechsci.com
Call us at: 484-424-9415

