

Chemtech Scientific provides access to this content as a courtesy.  
We do not own the content contained in this document.  
All rights and credit go directly to its rightful owners.  
[www.chemtechsci.com](http://www.chemtechsci.com)  
Call us at: 484-424-9415



## **Big Boy Filter Silencers FS Series 6" – 14" Flange**

**[www.solbergmfg.com](http://www.solbergmfg.com)**

Note: Please read the maintenance instructions given by the OEM for the machinery first. The OEM's manual should be adhered to in order to protect the equipment. Solberg Manufacturing, Inc has made every effort to make sure that these instructions are accurate but is not responsible for any typos, slight variations or for human errors that may occur.

# Maintenance Manual

## *Big Boy Filter Silencers*

### *FS Series 6” – 14” Flange*

## **CONTENTS**

### **Section A**

Introduction .....	pg. 3
--------------------	-------

### **Section B**

#### General Information

1. Identification of Solberg Filters .....	pg. 3
2. Filtration Rules of Thumb .....	pg. 4
3. Element Specifications .....	pg. 6
4. Element Cleaning .....	pg. 7

### **Section C**

#### Procedures

1. Installation .....	pg. 8
2. Disconnecting canister top from base .....	pg. 9
3. Removing element for service/maintenance. ....	pg. 10
4. Securing Element .....	pg. 10
5. Securing canister top to canister base. ....	pg. 11
6. Equipment startup .....	pg. 12

### **Section D**

#### Maintenance Recommendations

1. General .....	pg. 13
2. Spare Parts List .....	pg. 14

*\*For Further Information Please Call: 630-773-1363*

## Section A

### **INTRODUCTION**

The purpose of this manual is instruction on the proper assembly and care of Solberg inlet air filters.

### **\*WARNING\***

**This manual must be read and thoroughly understood before using and caring for this air filter. Failure to comply could result in explosion, product/system contamination or personal injury.**

This manual should be used as a supplement to the user's understanding of the proper care needed to maintain a safe and dependable air filter. It is the responsibility of the user to interpret and explain all instructions to persons who do not read or understand English BEFORE they are allowed to maintain and use this filter.

This manual should be readily available to all operators responsible for operation and maintenance of the inlet air filters.

We thank you for selecting products from Solberg Manufacturing, Inc. We are confident that our superior filter designs will meet your application requirements.

## Section B

### **GENERAL INFORMATION**

#### **1. Identification of Solberg Inlet Air Filters.**

All Solberg inlet air filters should have an identification label/nameplate that gives the following information:

**Assembly Model #  
Replacement Element #**

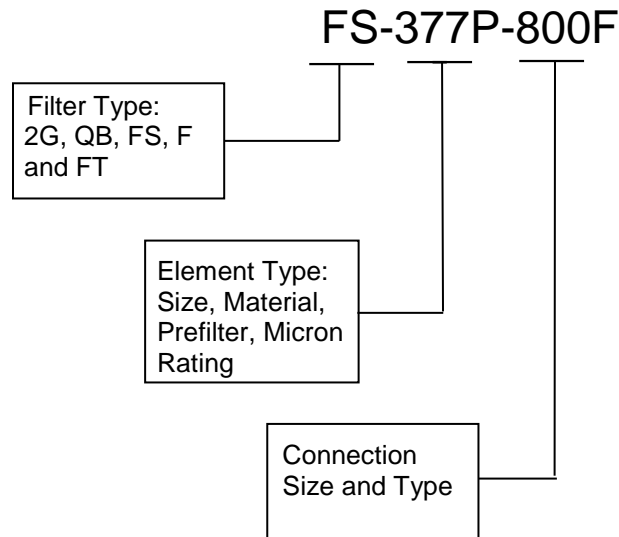
(The exception is OEM supplied units. In this case, please enter the OEM part numbers below.)

Fill in the actual nameplate data from your new Solberg inlet filter(s):

No.	Filter Model Number	Replacement Element	Initial Delta P Readings
1			
2			
3			
4			
5			

Table 1

The model number designates the filter type, the original element configuration and housing connection size. For example, the following part number identifies the filter as being a 'FS' design filter with a 377 element with prefilter and 8" flange connection size:



## 2. Filtration Rules of Thumb

**General:** For peak output performance from a compressor, blower, vacuum pump, engine, or any other machine that consumes air, one must have clean, unrestricted air. Proper filtration can help stabilize the working environment within rotating equipment even when the external conditions may be quite severe. A critical component in creating the right working conditions is filter sizing. With the properly sized filter, equipment will run smoothly over its entire expected operating life.

A major factor in filtration and filter sizing is air velocity through the filter media. Generally, the slower the velocity of air through a media the higher the filter efficiency and, conversely, the lower the pressure drop. Therefore, the primary goal in filter sizing is to optimize the velocity of air through the media (sometimes called face velocity).

**Rule of Thumb #1:** Always begin with the filter cartridge requirements when sizing a filter. Once the appropriate element has been selected then move on to the housing requirements.

**Rule of Thumb #2:** Always ask or specify a filter based on a micron rating *with filtration efficiencies*. As an example, stating a requirement for a 1-micron filter is misleading because no efficiency rating has been specified. A 1-micron filter at 95% efficiency may be less efficient than a 5-micron filter at 99% efficiency. For proper air system performance in light and industrial duty environments, a filter with a minimum of 99% filtration efficiency at 5 microns is required.

**Rule of Thumb #3:** Size your filter correctly by understanding the impact air velocity through a media has on efficiency and pressure drop. Maintain the suggested Air-to-Media ratios listed below based on the external environment listings and Filtration efficiency needs.

Filtration Efficiency Requirements (99%+ efficiency)	Environmental Conditions	Air to Media Ratio	
<i>Industrial Grade 2-micron Paper</i>	Industrial Duty (clean, office/warehouse-like)	30 CFM/ft <sup>2</sup>	(51m <sup>3</sup> /h)/cm <sup>2</sup>
	Severe Duty (workshop, factory-like)	15 CFM/ft <sup>2</sup>	(25.5m <sup>3</sup> /h)/cm <sup>2</sup>
	Extreme Duty (Foundry, Construction-like)	10 CFM/ft <sup>2</sup>	(17m <sup>3</sup> /h)/cm <sup>2</sup>
<i>Industrial Grade 5-micron Polyester</i>	Industrial Duty (clean, office/warehouse-like)	50 CFM/ft <sup>2</sup>	(85m <sup>3</sup> /h)/cm <sup>2</sup>
	Severe Duty (workshop, factory-like)	40 CFM/ft <sup>2</sup>	(68m <sup>3</sup> /h)/cm <sup>2</sup>
	Extreme Duty (Foundry, Construction-like)	25 CFM/ft <sup>2</sup>	(42.5m <sup>3</sup> /h)/cm <sup>2</sup>
<i>Industrial Grade 1-micron Polyester</i>	Severe Duty (Foundry, Construction-like)	10 CFM/ft <sup>2</sup>	(17m <sup>3</sup> /h)/cm <sup>2</sup>
<i>Industrial Grade 0.3-micron HEPA Glass @ 99.97% Efficiency</i>	Industrial Duty (Pre-filtered Applications)	10 CFM/ft <sup>2</sup>	(17m <sup>3</sup> /h)/cm <sup>2</sup>
	Severe Duty (workshop, factory-like)	7 CFM/ft <sup>2</sup>	(12m <sup>3</sup> /h)/cm <sup>2</sup>
	Extreme Duty (Foundry, Construction-like)	5 CFM/ft <sup>2</sup>	(8.5m <sup>3</sup> /h)/cm <sup>2</sup>

Table 2

**Rule of Thumb #4:** Pressure drop is also caused by the dirt holding capacity of the element. As the element fills up with dirt, the pressure drop increases. It is important to document the pressure drop across a given filter when it is new and then clean or replace it when the pressure drop increases by 10" to 15" / 250-280mm H<sub>2</sub>O over the original reading.

**Rule of Thumb #5:** The inlet connection greatly influences the overall pressure drop of the filter system. To minimize the restriction contributed by an inlet filter, a velocity of 6,000 ft<sup>3</sup>/min (10200m<sup>3</sup>/h) or less is suggested through the outlet pipe. The table below lists the suggested flows based on pipe size:

Pipe Size (inches)	Max Airflow	
		10200m <sup>3</sup> /h

Table 3 \*Note: This information is for general use only. A qualified engineer must properly design each system.

### 3. Element Specifications

Temperature Range: -15° to 220°F / -26° to 105°C

Filter Change-Out Differential: 10" to 15" / 250-380mm H<sub>2</sub>O Over Initial Delta P

Media	Micron Rating
Standard Paper	99+% @ 2 micron
Standard Polyester	99+% @ 5 micron
"S" Series Wire Mesh	Epoxy Coated Wire Mesh
"Z" Series Polyester	99+% @ 1 micron
"HE" Series HEPA	99.97% @ 0.3 microns
"U" Series Polyester	99+% @ 25 micron
"W" Series Polyester	99+% @ 100 micron
"S2" Series	Stainless Steel Wire Mesh
"AC" & "ACP" Series	N/A
"Y" Series Polypropylene	99+% @ 5 micron

Table 4

Temperature Range: -15° to 385°F / -26° to 196°C

Filter Change-Out Differential: 10" to 15" / 250-380mm H<sub>2</sub>O Over Initial Delta P

Media	Micron Rating
"MX" & "MXD" Series – Nomex Cloth	99+% @ 5 micron

Table 5

#### 4. Element Cleaning - Inlet Filtration

Solberg elements should be cleaned or replaced, once the pressure drop reaches 15 to 20-inches water column (380 - 500mm WC) above the initial pressure drop of the installation.

The decision to clean the element rather than replace it is left to the discretion of the operator. Any damage which results from by-pass or additional pressure drop created by element cleaning is the sole responsibility of the operator.

### **\*WARNING\***

**The overall performance of a filter element is altered once cleaned.**

**The initial pressure drop after cleaning will be greater than the original, clean pressure drop of the element.**

**After each subsequent cleaning, the initial pressure drop will continue to increase.**

**Under all circumstances, the initial pressure drop of the element needs to be maintained at less than 20-inches water column (500mm WC).**

**Cleaned elements that exceed 20-inches water column (500mm WC) at start-up should be replaced with new elements.**

With many types of equipment, the maximum pressure drop allowed will be dictated by the ability of the equipment to perform to its rated capacity. Under all circumstances, the operator should avoid exceeding the manufacturer's recommended maximum pressure drop for their specific equipment.

- A. ***Polyester Element.*** The polyester element may be washed in warm soapy water, vacuumed, gently blown out or replaced. The element should be dry before reinstallation. The element should be replaced after a maximum of three cleanings.
- B. ***Paper Element.*** The paper element may be lightly blown with low pressure air. It is disposable and in most cases should be replaced with a new element.

- C. **Polyurethane Prefilter.** The prefilter may be washed as a sponge or replaced to give the element a longer service life.
- D. **Epoxy Coated Wire Mesh and Stainless Steel Wire Mesh Elements:** Cleaning instructions similar to polyester, except mild solvents may be used.
- E. **Activated Carbon Element.** Not cleanable
- F. **Polypropylene Element.** Cleaning instructions similar to polyester
- G. **Nomex Cloth Element.** Cleaning instructions similar to polyester

If you are not confident that the integrity of the element was maintained during cleaning, it is recommended that a new element be installed. Also, spare parts such as gaskets, wing nuts and washers can be supplied upon request.

## Section C

### **PROCEDURES**

#### **1. Installation.**

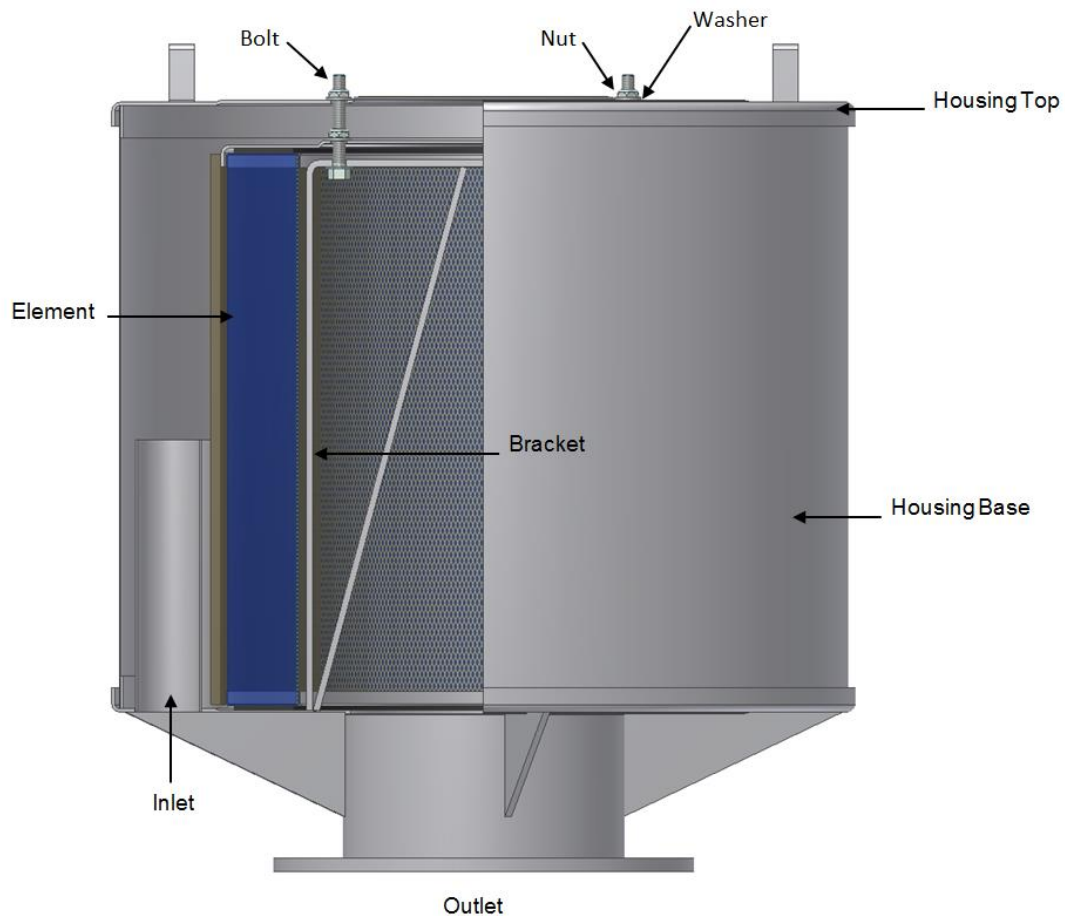


Figure C.1: Housing Terms



- A. Maximum operating temperature for most Solberg inlet air filter products is 220°F / 105°C. Temperatures in excess of this could cause damage to elements, media and elastomers. High temperature products are available.
- B. Direction of flow is typically from the outside of the element to the inside of the element. Most products have arrows indicating direction of flow on the inlet and outlet ports.
- C. Ensure that pipe/flange connections are adequately sealed so the potential for leaks is reduced to a minimum.

**2. Disconnecting canister top from canister base.**

- A. Remove housing top by loosening hex nut/ or wing-nut and lifting off.

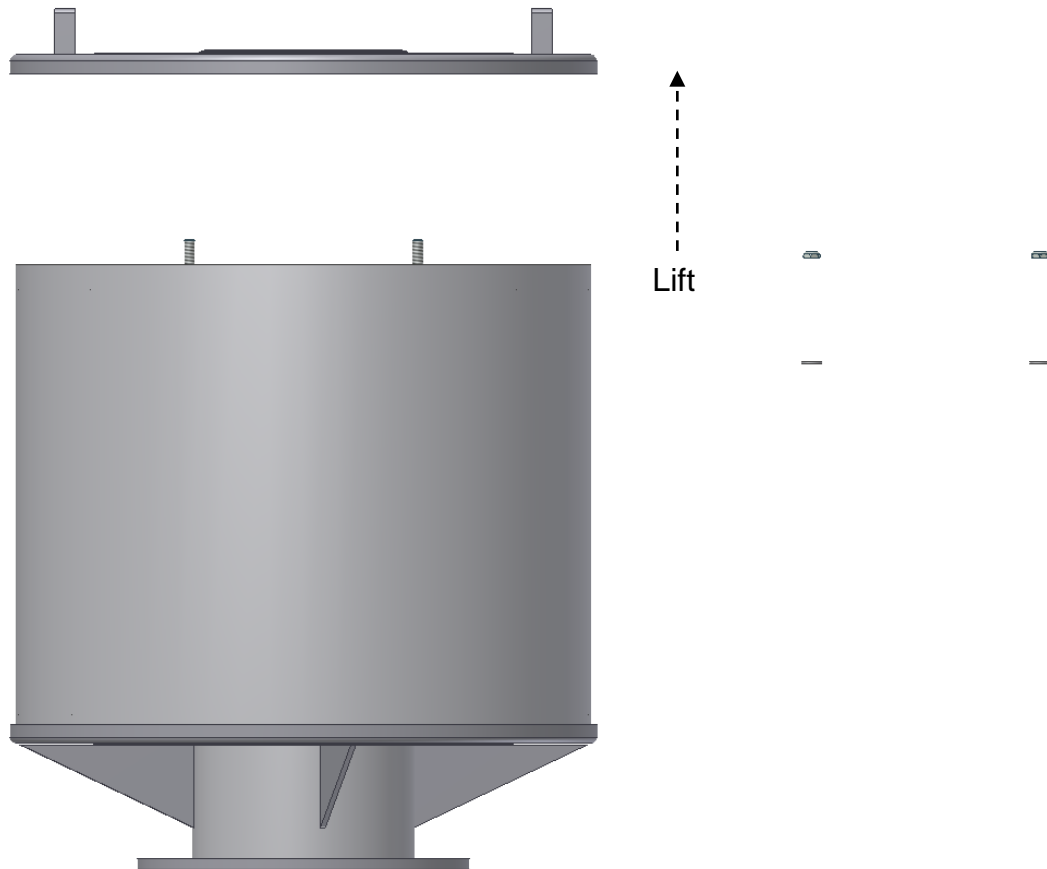


Figure C.2.1: Housing top removal.

### 3. Removing element for service/maintenance.

- A. Carefully remove retaining hex nut/ or wing-nut and washer over top plate, and then remove element.
- B. Clean sealing surfaces of housing, top plates and element end caps so that they are free of dirt or any other particulate.



Figure C.3.1: Removal of hex nut, washer, and top plate.



Figure C.3.2: Element sitting in housing base.



Figure C.3.3: Element with pre-filter.

## **\*WARNING\***

**Failure to comply with these instructions may result in system or equipment contamination.**

### 4. Securing Element.

- A. Place new or cleaned element evenly on base plate. Be sure element seats properly on base and there is no dirt or particulate present on sealing surfaces. With multiple element stacks place elements in line with base element and ensure elements seat properly.
- B. Place top plate on element by centering on tap bolt.
- C. Secure washer and hex nut to top plate and tap bolt. Element must be tightly secured. Note: Do NOT over tighten!

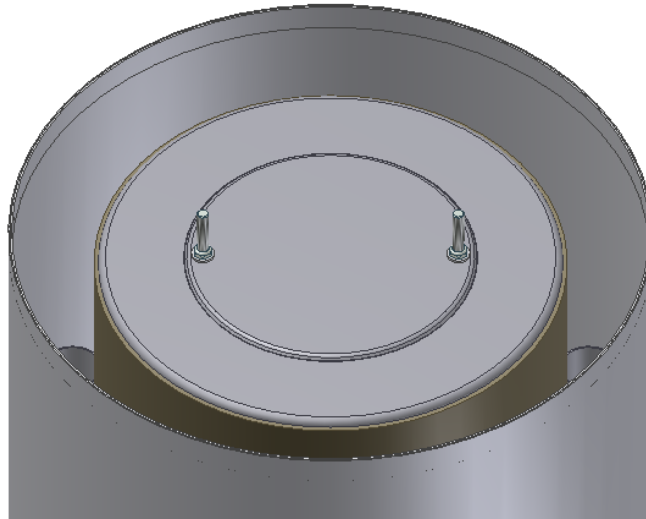


Figure C.4.1: Element properly secured in housing base.

## **\*WARNING\***

**Defective installation may cause system or pump contamination. Use only genuine Solberg replacement parts.**

### **5. Securing canister top to canister base.**

- A. Make sure all surfaces are free from dust and other particulate.
- B. Replace cover. Feed threaded bolt into corresponding bolt holes and secure with washer and hex nut. Note: Do NOT over tighten!

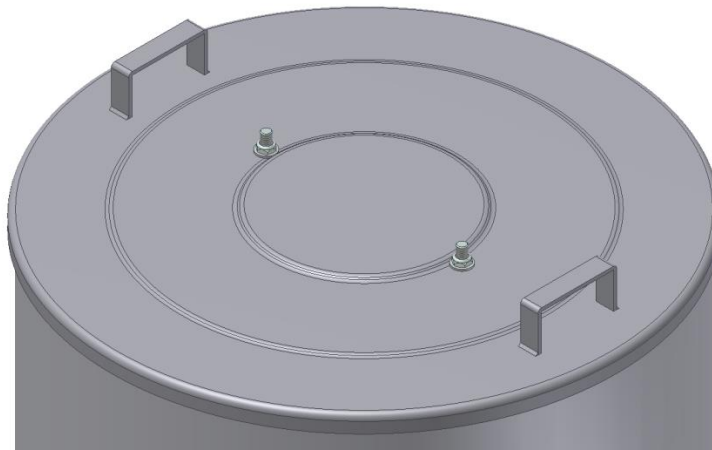


Figure C.5.1: Housing top and hex nuts in secured position.

## 6. Equipment Startup.

- A. Be sure to read the instructions on installation or element replacement as listed above before starting equipment.

### **\*WARNING\***

**If at any time the operator is unable to verify the integrity of the element or any housing feature, the factory or a regional representative should be contacted prior to start-up.**

- B. Please check the listed steps prior to startup.

1. Check element to make sure it is seated properly on element base or sealing surface.

### **\*WARNING\***

**Failure to seat the element properly may result in contaminant by-pass resulting in damage to equipment.**

2. Check element top plate or cover to make sure it is seated properly on element.
3. Check housing cover that it is installed correctly onto housing.
4. Be sure all fasteners and hardware have been tightened.

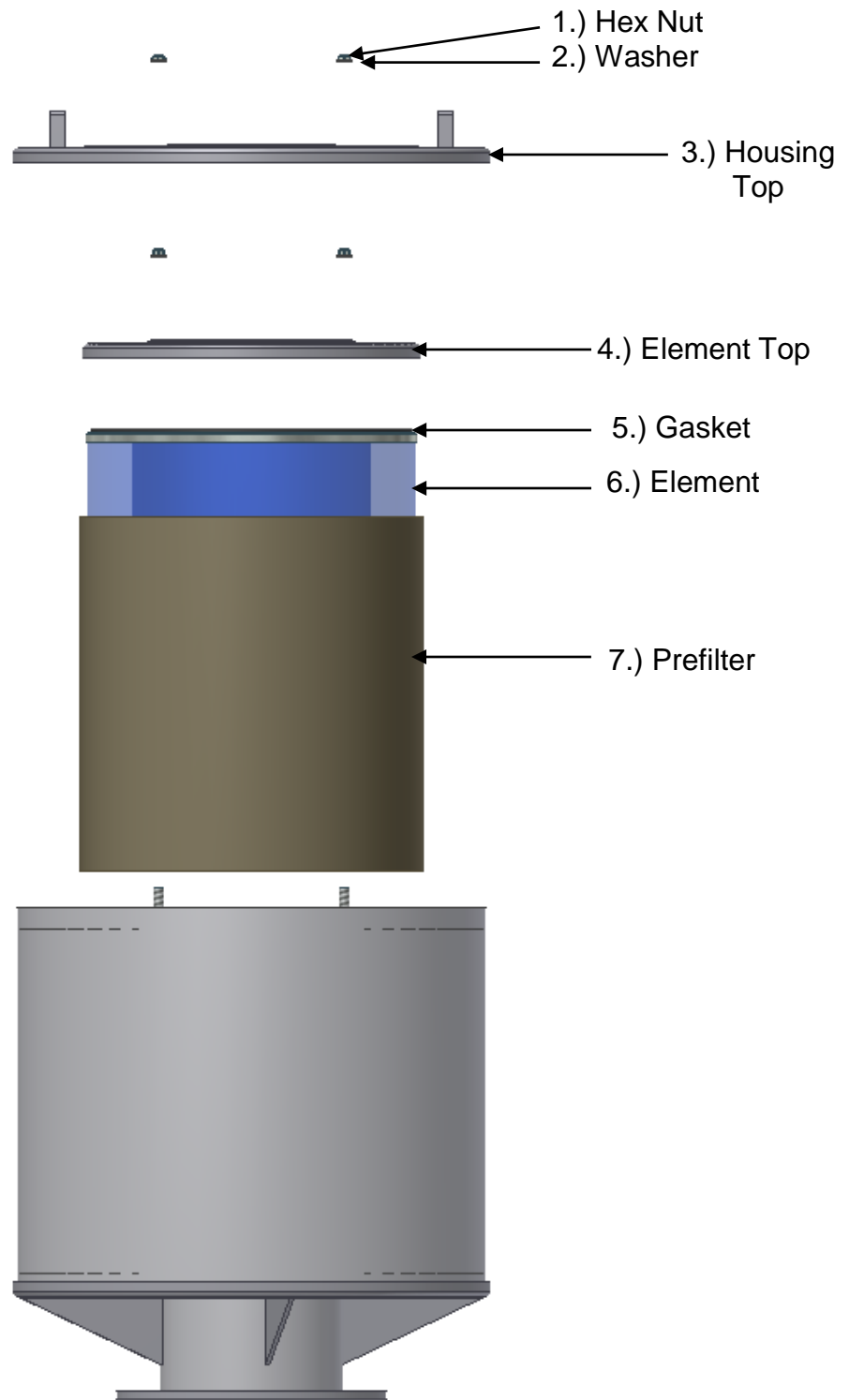
### **\*WARNING\***

**If the air flow is reversed through a Solberg filter unit, be sure to check the element and housing internals for damage. Failure to do so may result in damage to equipment.**

## Section D

### ***MAINTENANCE RECOMMENDATIONS***

1. Pressure drop readings are recommended to have an effective air filter.  
Always document initial pressure drop during start-up when element is clean. Replacement cartridge is needed when system experiences 10" to 15" / 250-380mm H<sup>2</sup>O above drop above the initial reading. Refer to page 4 for initial values.
2. Always check inlets/outlets, element base and its components when replacing element to insure cleanliness. Wipe clean if necessary.
3. Operate only when a proper seal exists.



Big Boy Filter Silencer Available Replacement Parts

							Element Top